

# Table of Contents

---

PTO AND DRIVELINE COMPONENTS	13
PTO SHAFT TECHNICAL INFORMATION	13
SAFETY INFORMATION	13
POWER RATINGS AND DIMENSIONS	14
SERVICING AND PROBLEM SOLVING	15
STANDARD AGRICULTURAL SPLINES	16
SERIES 1 PTO - 16/25 HP	16
SERIES 2 PTO - 21/31 HP	17
SERIES 4 PTO - 35/56 HP	18
SERIES 6 PTO - 64/100 HP	19
SERIES 6 WIDE ANGLE PTO 53/83HP	21
SERIES 8 PTO - 95/150 HP	22
SERIES 8 WIDE ANGLE PTO 90/139 HP	23
SERIES 9 PTO - 120/190HP	23
CLUTCHES	24
Friction Clutch	25
Friction overrun clutch	26
Shear bolt clutch	27
Overrunning clutch	28
Radial Pin Clutch	28
Friction clutch set up and adjustment.	29
UNIVERSAL JOINTS - SINGLE	29
UNIVERSAL JOINTS - DOUBLE	30
SPARE PARTS	31
YOKES	31
CROSS KIT - BEARINGS	34
CLUTCH PARTS	35
PTO COVERS AND CONES	37
FLEX COUPLING INSERTS	39
TRANGLE TUBE	40
FLEX COUPLINGS	40
ADAPTORS	42
SPLINED SHAFTS AND SLEEVES	43
FLEXIBLE DISC TYPE COUPLINGS	46
CHAIN SHAFT COUPLINGS	48
TURNTABLE BALL BEARINGS - SLEW RINGS	48
TURNTABLE BALL BEARINGS. AGRICULTURAL	48
FITTING AND MAINTENANCE	49
WORM DRIVE SLEW RING	50
SLEW BEARINGS - FLANGED AND HEAVY	52
Slew Ring Bearings.	52
Flanged Slew Bearings	53
HYDRAULIC CYLINDERS	55
BALL END TOP MOUNT CYLINDERS	57
HOLE END TOP MOUNT CYLINDERS	58
HOLE END BOTTOM MOUNT CYLINDERS	59

CYLINDER MOUNTS	61
CUSTOM DESIGNS	61
HYDRAULIC POWER PACKS	62
12V - 9.0 Lt TANK	62
12V - 16 Lt TANK	63
HAND - 7 Lt TANK	64
HJ600 HYDRAULIC JACK	65
JOCKEY WHEELS AND PARKING JACKS	66
JOCKEY WHEELS	66
AL00714 JOCKEY WHEEL 250 Kg AUTO FOLD	66
AL01354 JOCKEY WHEEL 350 Kg	67
AL01357 JOCKEY WHEEL 455Kg	68
AL02443 JOCKEY WHEEL 455 KG	69
AL02444 JOCKEY WHEEL 455kg	70
AL02445 JOCKEY WHEEL 455 KG	71
AL01359 JOCKEY WHEEL 500Kg	71
AL01373 JOCKEY WHEEL 700 Kg	72
AL01353 JOCKEY WHEEL 750 Kg	73
AL01352 JOCKEY WHEEL 1000 Kg	74
AL00624 JOCKEY WHEEL 1000 Kg AUTO FOLDING	74
AL02775 JOCKEY WHEEL 1000 Kg	75
AL01698 JOCKEY WHEEL 1000 Kg FOLDING	76
AL01358 JOCKEY WHEEL 1250 Kg	77
AL02776 JOCKEY WHEEL 1500 Kg FOLDING	78
PARKING JACKS	79
AL01523 SIMOL TOP WIND CLAMP MOUNT 1200 Kg	79
AL02650 SIMOL SIDE WIND TUBE MOUNT 1300 Kg	80
AL02651 SIMOL SIDE WIND TUBE MOUNT 1300 Kg	82
AL01447 SIDE WIND SWIVEL MOUNT 1300 Kg	83
AL00848 SIDE WIND FLANGE MOUNT 1300 Kg	83
AL02633 SIDE WIND 1300 Kg	84
AL01428 SIMOL SIDE WIND FLANGE MOUNT 1300 Kg	86
AL00847 SIDE WIND FLANGE MOUNT 1300 Kg	87
AL02053 SIMOL TOP WIND TUBE MOUNT 1300 Kg	88
AL02052 SIMOL TOP WIND TUBE MOUNT 1300 Kg	89
AL00857 TOP WIND SWIVEL MOUNT 1350 Kg	90
AL02055 TOP WIND TUBE MOUNT 1350 Kg	91
AL02678 TOP WIND TUBE MOUNT 1350 Kg	92
AL01114 SIMOL SIDE WIND 1500 Kg	93
AL01115 SIMOL SIDE WIND DROP LEG 1500 Kg	94
AL02654 SIMOL SIDE WIND TUBE MOUNT 1500 Kg	95
AL01444 SIDE WIND TUBE MOUNT 1590 Kg	96
AL01446 SIDE WIND TUBE MOUNT 1590 Kg	97
AL01124 SIDE WIND TUBE MOUNT 1590 Kg	98
AL01125 SIDE WIND TUBE MOUNT 2270 Kg	99
AL02696 SIMOL SIDE WIND DROP LEG 2500 Kg	100
AL01116 SIDE WIND DROP LEG 3180 Kg	101
AL01118 SIDE WIND TUBE MOUNT DROP LEG 3180 Kg	102
AL01119 SIDE WIND 3180 Kg	103
AL01121 SIDE WIND TUBE MOUNT 3180 Kg	104
AL01128 TOP WIND DROP LEG 3180 Kg	105

AL01129 SIDE WIND 3180 Kg LONG STROKE	106
AL01097 SIMOL SIDE WIND 4000 Kg	107
AL01098 SIMOL SIDE WIND 2 SPEED 4000kg	108
AL01102 SIMOL SIDE WIND CLAMP MOUNT 4000 Kg	110
AL01380 SIMOL SIDE WIND DROP LEG 4500 Kg	110
AL01111 SIMOL SIDE WIND 6000 Kg	111
AL01108 SIMOL SIDE WIND DROP LEG 6000 Kg	112
AL01092 SIMOL T ANDEM SIDE WIND 6000 Kg	113
AL01366 SIMOL SIDE WIND DROP LEG 2 SPEED 10000kg	114
AL01367 SIMOL SIDE WIND 2 SPEED 10000 kg	116
AL01126 - 2 SPEED 12500 KG	117
AL01127 - 2 SPEED TANDEM 25000 KG	118
HYDRAULIC PARKING JACKS	119
AL01104 HYDRAULIC JACK	119
AL01313 HYDRAULIC JACK	121
AL01314 HYDRAULIC JACK	122
AL01315 HYDRAULIC JACK	123
AL01316 HYDRAULIC JACK	125
ADJUSTABLE LEGS	126
CORNER STANDS	126
ACCESSORIES AND PARTS	127
TUBE MOUNT SET HEAVY DUTY	127
SWIVEL MOUNT HEAVY DUTY	128
JOCKEY WHEEL CLAMP - JW1	128
TUBE MOUNT INNER - SIMOL JACKS	128
TUBE MOUNT INNER - ALINE JACKS	129
TUBE MOUNT S OUTER - ALINE JACKS	129
GEARBOXES	130
SAFETY AND TECHNICAL	130
AUGER BOXES	130
FRA8 FORWARD REVERSE	131
FRA821 FORWARD REVERSE REDUCTION	132
FR150-2 FORWARD REVERSE	133
A45 - 15HP	134
B45 - 50HP	135
B45-02-1 90HP	136
B45-04-1 120HP	137
A3922FR	138
A81H	139
New	140
GENERAL PURPOSE GEARBOXES	141
A10	141
A3921	142
A8	144
A9	145
A11	147
A21	148
A21 H	149
AL01923	150
AL01928	151
A200	152

PTO SPEED REDUCER	154
SLASHER BOXES	156
A40 - 40 HP	156
A70 - 65-110 HP	159
A81 - 90HP - 160 HP	161
A130 - 95-192 HP	162
A150D - 150 HP	164
SPEED MULTIPLIER GEARBOXES	165
AM7	165
AM9	165
AM10	165
SPREADER GEARBOXES	167
A08	167
WORM WHEEL SPEED REDUCTION BOXES	168
TECHNICAL INFORMATION	170
FCA	178
FCWA - FCWS	179
FCWDA - FCWDS	181
FCDKS	183
FCWKA - FCWKS	184
GEARBOX SHAFT COVER	185
ROCK WINCHES	186
HAND WINCHES	186
RHW450	186
RHW900	187
RHW1200	188
RHW1800	189
RHW2000	190
RGW3200	191
BRAKE WINCHES	192
RBW1500	193
RBW2500	194
RBW3500	195
STAINLESS STEEL HAND WINCHES	196
RBW1000 SS	197
RHW1400 SS	198
RBW2500 SS	199
12V ELECTRIC WINCHES	199
RP2000	200
RP3500	202
RP5000	203
RES6000	204
RES9500	206
RES12000	208
24V ELECTRIC WINCHES	209
REW5500-24	210
HYDRAULIC WINCHES	210
RYW09	211
RYW18	212
MINI TRUCK LOAD WINCH	213
ACCESSORIES AND SPARES	214

CABLE GUIDE ROLLERS	214
GUIDE ROLLER AND MOUNT	215
GUIDE ROLLER	216
WINCH MOUNTS	216
FAIRLEADS	217
WIRELESS REMOTE CONTROL UNIT	217
WINCH SPARE PARTS	218
CABLES	218
STRAPS	218
SAFETY HOOK	219
HANDLES	219
<b>WHEEL AND TYRE ASSEMBLIES</b>	<b>219</b>
PICKING TROLLEY WHEELS	220
Golf Buggy Style.	220
Air Free	221
AIR FREE - NO MORE FLAT TYRES	221
4.10/3.50 x 4	222
AL02760 - 12x3.5x6	222
AL01546 - 13x5x6	223
AL02749 - 16x4.00x8 3/4" BEARING	223
AL02750 - 16x4x8 1" BEARING	224
AL01542 - 16x6.50x8	224
PNEUMATIC - BEARING MOUNT	225
AL01529 - 8 x 2.5 x 4	225
TWA0548 - 13 x 5.00 x 6 - 6 PLY	226
TWA0044 - 15 x 6.00 x 6 - 6 PLY	227
TWA0032 - 4.00/4.80 x 8 - 6 PLY	227
TWA0403 - 16 x 6.50 x 8 - 6 PLY	228
TWA0419 - 18 x 8.50 x 8 - 6 PLY	228
TWA0578 - 20 x 10.00 x 8 - 6 PLY	229
TWA0569 - 22 x 11.00 x 8 -6 PLY	230
Bearing Mount Wheels.	230
CASTORS	231
SOLID INDUSTRIAL CASTORS	231
SOLID INDUSTRIAL PU CASTORS	232
PREMIUM GRADE CASTORS & WHEELS.	232
TPE CASTORS 50mm	233
SEGMENTED SLASHER WHEELS	234
SOLID	235
AL02742 - 8 x 2.5	236
AL02743 - 10 x 2.5	236
AL02744 - 13 x 2	237
AL02845 - 150 x 50	237
AL02846 200 x 50	238
AL02844 - 150 x 50 PU	239
SOLID PREMIUM EUROPEAN RANGE	239
TRAILER WHEELS AND TYRES 8"-12"	241
TRAILER WHEELS AND TYRES 12"-18"	246
OTHER TYRES	249
RESEAL PUNCTURE PREVENTION	249
<b>TRAILER AND BODY EQUIPMENT</b>	<b>250</b>
TOW EYES AGRICULTURAL AND INDUSTRIAL	250

AL02765 30mm SWIVEL 2500 Kg	250
AL02767 - 40mm RIGID 6000 Kg	251
AL00766 40mm RIGID 10000 Kg	252
AL02763 45mm SWIVEL 6000 Kg	253
AL02762 45mm SWIVEL 30000 Kg	254
AL00765 50mm SWIVEL 30000 Kg	255
AL02766 52mm RIGID 14000 Kg	256
AL02764 50mm SWIVEL 14000 Kg	256
AL02768 76mm SWIVEL 20000 Kg	257
AL03196 40mm 120kN ROAD RATED	258
AL03260 50mm 190kN ROAD RATED	259
AL03394 50mm 314kN ROAD RATED	260
AL03064 75mm 3500 kg ROAD RATED	260
AL03218 76mm SWIVEL 12500 kg ROAD RATED	261
CATCHES AND LATCHES	261
OVER CENTRE CLOSURE LOCKABLE	262
AL00796 / AL00798 ADJUSTABLE CLOSURE	265
AL02674 ADJUSTABLE CLOSURE	266
AL00821 ADJUSTABLE CLOSURE	267
AL00844 ADJTABLE CLOSURE	268
AL00799 HORSE FLOAT TAILGATE LATCH	269
TAILGATE LATCH SPRING LOADED 4 SIZES	269
12.7mm DIAM BOLT	269
10mm DIAM BOLT	270
5mm DIAM BOLT	271
16mm DIAM BOLT	271
DROP LOCKS	272
COMPRESSION LOCKS	273
COMPRESSION LATCH LIFT AND TURN	274
DROP T LOCKS	275
WHALE TAIL DROP LOCKS.	277
AL00819 - FLUSH PADDLE LATCH	277
HEAVY DUTY CORNER FASTNER	278
COMPARTMENT LOCKS.	279
TAILGATE SWIVEL LATCH	280
HINGES	280
TAILBOARD HINGE AND PIN	281
TAILBOARD HINGE AND PIN. FLAT SHORT.	282
TAIL BOARD HINGE AND PIN.FLAT . LONG.	282
HEAVY DUTY HINGE WITH GREASABLE PIN	283
EUROPEAN 3 PIECE DROPSIDE HINGE	284
PINTLE HINGE - WELD ON	286
PINTLE HINGE - BOLT ON	287
CENTRAFLEX CONTINUOUS HINGE	288
PIANO HINGE	289
TRAILER TAILGATE HINGE.	290
LASHING RINGS	290
DRAW SLIDES	292
PINCHWELD WEATHER SEAL	294
LINK BLOCKS & HINGES	296
FULL LENGTH AXLE ASSEMBLIES	297
STUB AXLE ASSEMBLIES	301

COUPLINGS TOW BALLS AND MOUNTS.	303
50mm OFF-ROAD 750Kg	304
50mm MULTI FIT COUPLING 2000 Kg	304
50mm HYDRAULIC COUPLING 2000Kg	304
50mm MECHANICAL COUPLING 2000Kg	305
50mm ELECTRIC COUPLING 3500Kg	306
COUPLING MOUNT PLATES	307
50mm TOW BALL 3500Kg	308
AL-KO OFF-ROAD 50mm BALL COUPLING	308
ADJUSTABLE MOUNT 3500kg	308
70mm COUPLING 6000kg	309
70mm TOW BALL 6000kg	309
70mm BALL MOUNT.	310
2 5/16" OFFROAD COUPLING 6000 Kg	310
2 5/16 INCH OFF-ROAD BALL 6000Kg	311
3" (76.2mm) ON-ROAD 10t COUPLING.	312
3" (76.2mm) ON-ROAD BALL 10 000 Kg	313
AUTOMATIC COUPLINGS	313
40mm AUTO COUPLING	313
PINTLE HOOKS ON-ROAD RATED	314
6 ton DUAL PURPOSE BALL AND HITCH	314
10 ton	315
PINTLE HOOK MOUNT	315
TWIN PLATE MOUNT.	316
HITCH PIN AND CLIP	317
SPRING/SUSPENSION KITS.	317
LEAF SPRING SUSPENSIONS.	317
SIMPLICITY SUSPENSIONS	320
SIMPLICITY SMART COIL SUSPENSION.	321
SIMPLICITY TANDEM LSC SUSPENSION.	322
SILENT RIDE SUSPENSIONS.	323
RUBBER TORSION SUSPENSION	325
ROGERS SUSPENSION SYSTEMS.	326
MUD GUARDS / MUD FLAPS	326
LIGHTS AND ELECTRICAL	329
REAR COMBINATION LAMPS	330
AL00275 - 100x100x22	330
AL00269 - 100x100x22	330
AL00214 - 107x107x23	331
AL00231 - 107x107x23 Number Plate Light.	331
AL00215 - 150x80x22	332
AL00225 - 150x80x24	332
AL00276 - 150x80x29 Number plate light	333
AL00277 - 188x100x28	333
AL00213 - 200x50x28	334
AL00264 - 237x25x18	334
AL00272 - 250x80x24	335
AL00229 - 275x100x33	335
AL00206 - AL00207 - 278x100x28	335
AL00230 - 278x100x28	336
AL00241 - 280x95x28	336
AL00244 - 280x95x28	336
AL00284 - 281x101x30	337
AL00274 - 283x100x25	337
AL00285 - 283x100x25	338

AL00239 - 284x100x27	338
AL00273 - 284x100x27	339
AL00220 - 370x135x40	339
AL00286 - 387x105x30.5 SEQUENTIAL	340
AL00228 - 400x130x45	341
AL00221 - 595x130x45	341
AL00227 - 595x130x45	341
<b>REAR COMBINATION LAMPS WITH CABLES.</b>	<b>342</b>
AL00257 - 284x100x27	342
AL00258 - 282x95x28	342
AL00259 - 275x100x33	343
AL00190 AL00191 - 387x105x30.5	343
AL00260 - 370x135x40	344
PATCH LEADS AND ADAPTORS	344
<b>RECESSED STRIP LAMPS</b>	<b>345</b>
AL00212 - 130x25x12.5 White	345
237x25x18 - RED - AMBER - WHITE	346
382x25x18 - RED - WHITE - AMBER	347
AL00264 - 237x25x18 - COMBINATION.	347
<b>LICENCE PLATE LAMPS</b>	<b>348</b>
AL00202 - 65x30x24	348
AL00203 - 76x42x30	348
AL00204 - 375x173x25	349
AL00242 - 60x22x32	349
<b>Fitting Instructions.</b>	<b>349</b>
AL00200 - 70x40x42	350
<b>MARKER LAMPS AND INDICATORS</b>	<b>351</b>
Marker Lamps - 58x35x21	351
Side Marker Lamp - 135x38x22	352
Front Indicator and Marker- 175x50x24	352
<b>WORK LAMPS AND REVERSING LIGHTS</b>	<b>353</b>
AL00226 - 102x128x45	353
AL00216 - 115 Round x 45	354
AL00271 - 73x73x30	355
AL00245 - 75 round x 30	356
AL00262 - 130x40x43	357
AL00270 - 100x100x5	357
AL00278 - 109x110x70	358
AL00192 - 190mm	358
AL00193 - 343mm	359
AL00194 - 546mm	359
AL00186 - 160x45	360
<b>BEACON LAMPS</b>	<b>360</b>
AL00232 - 130 x 97	361
AL00246 - 130 x 53	361
AL00253 - 144 x 96	362
AL00263 - Portable - 130 x 90	362
AL00280 - OVER SIZE APPROVED - 144 x 91	363
<b>REFLECTORS</b>	<b>364</b>
70 x 30 x 6 Adhesive	364
90 x 20 X 6 Adhesive	365
60 Diameter x 6.5mm - Screw Mount	365
<b>LOAD RESISTORS</b>	<b>366</b>
<b>BRAKEAWAY UNITS AND CONTROLLERS</b>	<b>366</b>
Brake away units. Brakesafe.	367
Brake Controller - Trailer Mounted	368
Brake Controller - Elecbrake Wireless	369
<b>PLUGS - SOCKETS - ADAPTORS - WIRE</b>	<b>371</b>
TRAILER PLUGS	371



TRAILER SOCKETS	372
WIRE	372
PLUG ADAPTORS	373
OVERSIZE LOAD SAFETY EQUIPMENT	373
OVERSIZE SIGNS	373
SAFETY FLAGS	374
FLASHING BEACON.	374
DOCUMENT CANISTER	375
HAND BRAKE LEVERS	376
TARP WINDER UNIVERSAL JOINTS	378
TRAILER PARTS AND SPARES - OTHER	380
WHEEL STUDS AND NUTS	380
DUST CAPS	383
U BOLTS - FISH PLATES - AXLE SADDLES	385
SPRING PACKS AND SPARE PARTS	387
HUB KITS AND STUBS	389
BEARINGS - SEALS - GREASE.	391
VEHICLE IDENTIFICATION PLATES	392
HYDRAULIC BRAKE PARTS	393
50mm TRAILER COUPLING PARTS	393
BRAKE CABLE KIT & PARTS	395
P-CLAMPS	396
SWING ARM BUSH ASSEMBLY	396
BALL JOINTS	397
TOP LINKS	398
Top Link Standard - AL01972	398
Top Link Long - AL01974	399
GAS STRUT RECHARGE AND SALES	400
PROCUREMENT AND CUSTOM DESIGNS	401
WEB SITE DISCLOSURE - WARRANTY	401
WARRANTY	401

# Category Index

---

BALL JOINTS	397
GAS STRUT RECHARGE AND SALES	400
GEARBOXES	130
AUGER BOXES	130
GEARBOX SHAFT COVER	185
GENERAL PURPOSE GEARBOXES	141
PTO SPEED REDUCER	154
SAFETY AND TECHNICAL	130
SLASHER BOXES	156
SPEED MULTIPLIER GEARBOXES	165
SPREADER GEARBOXES	167
WORM WHEEL SPEED REDUCTION BOXES	168
HYDRAULIC CYLINDERS	55
BALL END TOP MOUNT CYLINDERS	57
CUSTOM DESIGNS	61
CYLINDER MOUNTS	61
HJ600 HYDRAULIC JACK	65
HOLE END BOTTOM MOUNT CYLINDERS	59
HOLE END TOP MOUNT CYLINDERS	58
HYDRAULIC POWER PACKS	62
JOCKEY WHEELS AND PARKING JACKS	66
ACCESSORIES AND PARTS	127
ADJUSTABLE LEGS	126
CORNER STANDS	126
HYDRAULIC PARKING JACKS	119
JOCKEY WHEELS	66
PARKING JACKS	79
PROCUREMENT AND CUSTOM DESIGNS	401
PTO AND DRIVELINE COMPONENTS	13
ADAPTORS	42
CHAIN SHAFT COUPLINGS	48
CLUTCHES	24
FLEX COUPLINGS	40
FLEXIBLE DISC TYPE COUPLINGS	46
PTO SHAFT TECHNICAL INFORMATION	13
SERIES 1 PTO - 16/25 HP	16
SERIES 2 PTO - 21/31 HP	17
SERIES 4 PTO - 35/56 HP	18
SERIES 6 PTO - 64/100 HP	19
SERIES 6 WIDE ANGLE PTO 53/83HP	21
SERIES 8 PTO - 95/150 HP	22
SERIES 8 WIDE ANGLE PTO 90/139 HP	23
SERIES 9 PTO - 120/190HP	23
SPARE PARTS	31
SPLINED SHAFTS AND SLEEVES	43

UNIVERSAL JOINTS - DOUBLE	30
UNIVERSAL JOINTS - SINGLE	29
<b>ROCK WINCHES</b>	<b>186</b>
12V ELECTRIC WINCHES	199
24V ELECTRIC WINCHES	209
ACCESSORIES AND SPARES	214
BRAKE WINCHES	192
HAND WINCHES	186
HYDRAULIC WINCHES	210
MINI TRUCK LOAD WINCH	213
STAINLESS STEEL HAND WINCHES	196
<b>TOP LINKS</b>	<b>398</b>
Top Link Long - AL01974	399
Top Link Standard - AL01972	398
<b>TRAILER AND BODY EQUIPMENT</b>	<b>250</b>
CATCHES AND LATCHES	261
COUPLINGS TOW BALLS AND MOUNTS.	303
DRAW SLIDES	292
FULL LENGTH AXLE ASSEMBLIES	297
HAND BRAKE LEVERS	376
HINGES	280
LASHING RINGS	290
LIGHTS AND ELECTRICAL	329
LINK BLOCKS & HINGES	296
MUD GUARDS / MUD FLAPS	326
OVERSIZE LOAD SAFETY EQUIPMENT	373
PINCHWELD WEATHER SEAL	294
SPRING/SUSPENSION KITS.	317
STUB AXLE ASSEMBLIES	301
SWING ARM BUSH ASSEMBLY	396
TARP WINDER UNIVERSAL JOINTS	378
TOW EYES AGRICULTURAL AND INDUSTRIAL	250
TRAILER PARTS AND SPARES - OTHER	380
<b>TURNTABLE BALL BEARINGS - SLEW RINGS</b>	<b>48</b>
SLEW BEARINGS - FLANGED AND HEAVY	52
TURNTABLE BALL BEARINGS. AGRICULTURAL	48
WORM DRIVE SLEW RING	50
<b>WEB SITE DISCLOSURE - WARRANTY</b>	<b>401</b>
WARRANTY	401
<b>WHEEL AND TYRE ASSEMBLIES</b>	<b>219</b>
AIR FREE - NO MORE FLAT TYRES	221
CASTORS	231
OTHER TYRES	249
PICKING TROLLEY WHEELS	220
PNEUMATIC - BEARING MOUNT	225
RESEAL PUNCTURE PREVENTION	249
SOLID	235
SOLID PREMIUM EUROPEAN RANGE	239

TRAILER WHEELS AND TYRES 12"-18"	246
TRAILER WHEELS AND TYRES 8"-12"	241

# PTO AND DRIVELINE COMPONENTS

PTO AND DRIVELINE COMPONENTS



Aline Trading P/L proudly presents the AKSAN KARDAN range of P.T.O shafts and accessories.

Aline Trading P/L is the sole distributor of the AKSAN KARDAN range of products for Australia. Established in 1979 AKSAN KARDAN, have proven themselves as a leader in their field. Their expert team based in Ankara and Chicago has developed a high quality yet cost effective range of products which are exported throughout Europe, America, The Middle East and Australia.

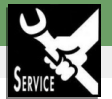
Please contact us today to discuss your requirements.

Note: Series T1 - T8 = Triangle tube.

Series T9 = Splined M profile shafts.

## PTO SHAFT TECHNICAL INFORMATION

PTO AND DRIVELINE COMPONENTS / PTO SHAFT TECHNICAL INFORMATION



PTO shafts and associated drive line components are by their nature potentially very dangerous pieces of equipment that if not properly selected, serviced and operated can result in serious injury or death. Please use the information in this section to assist with the selection and servicing of our Aksan PTO shafts.

**If you are still not sure, remember. WHEN IN DOUBT. ASK!**

## SAFETY INFORMATION

PTO AND DRIVELINE COMPONENTS / PTO SHAFT TECHNICAL INFORMATION / SAFETY INFORMATION



### PTO - Drive Line Safety.

#### Warning:

PTO shafts can be very dangerous. A PTO shaft revolving at 540 rpm moves more than 2 metres in less than a second, and has the potential to cause serious injury or death if not used, and maintained properly.

Damaged or missing shielding is the main reason for entanglement. New machinery must have the appropriate shielding in place and must be maintained to prevent injury. Older machinery with damaged or no shielding is the most dangerous and must not be operated until the shielding has been repaired or replaced.

Operator awareness and monitoring of equipment is critical if PTO entanglement is to be avoided. Making repairs while a machine is operating, stepping over or onto revolving shafts, wearing loose or frayed clothing, are all actions that can lead to a serious accident.

#### Make safety a habit.

#### Remember:

- **Before** putting into operation or performing any maintenance, ensure all users read, understand and comply with the instructions provided with the implement or tractor.
- **Use** the PTO shafts for their intended use ONLY.
- **When** using PTO driveline equipment do not exceed the power limits or speed the equipment was designed for. If you do not know this information refer to the owner's manual or the manufacturer of the machine. (Shaft capacities are listed under our technical section on this site.)
- **Before** putting into service check for sufficient clearance for the PTO drive shaft in conjunction with the tractors master shield and the implement side safety shield in all operating conditions. (E.g. when cornering, traveling on uneven surfaces or at maximum working depth.) Check the length of the PTO shaft is correct and there is sufficient overlap of the telescopic tubing. In the case of attached or semi-mounted implements always ensure any hitches, lower links, supporting devices etc. are moved to suitable positions and secured to prevent contact with the PTO driveline. Contact between the PTO driveline and tractor or implements will result in damage to the PTO shaft.
- **Do not** exceed the maximum working angles for the PTO shafts. The PTO drive should be disengaged when the joint angle exceeds 45 degrees or the joint angles are unequal. **The maximum operating angle is 25 degrees.** However for short periods at reduced output the maximum angle where contact between PTO drive shaft guard and rotating components is avoided is 45 degrees. When Stationary the max joint angle is 90 degrees. Aim for small identical joint angles when operating the machine. **Wide angle** PTO shafts have a maximum operating angle of 25 degrees. For short periods at reduced output they can be used up to 80 degrees. When stationary the maximum joint angle is also 80 degrees. Greater angles will result in premature wear and damage to the joint. When a wide angle joint is used on a PTO shaft the pivot between the tractor and implement must equal the pivot point of the wide angled joint. The single joint at the other end of the shaft has to run straight.
- **Before each use**, check that all PTO drive shaft safety devices are fitted and fully functional. Ensure the PTO shaft is securely attached to the tractor and implement and safety chains are fitted correctly allowing for full movement before operating. **Only work with a completely guarded drive shaft!**
- **Never** operate the equipment if any shielding is damaged or missing.
- **Be kind to the equipment.** Wear and damage can be caused to the shaft and drive line by aggressively engaging or suddenly stopping the PTO drive.
- **A clutch** or torque limiter if used must be fitted to the implement end of the PTO shaft.
- **A Wide angle unit** if used is fitted to the tractor end of the PTO shaft.
- Any **replacement parts must** be suitable for the application i.e.: correct rating, length and shielding. It is highly suggested that you use our AKSAN spare parts whenever possible.
- **Stay away from any rotating parts.** Disengage the PTO drive turn off the tractor or drive unit and remove the key before going near the implement. Removing the key will ensure no one accidentally starts the equipment when you are working on it.

- **Never** step on, over or go under the PTO drive line.
- **Keep clear** of the equipment and especially the drive line. Wear appropriate clothing. Don't wear loose clothing, jewellery or long hair that could be caught in the drive line.
- **Only** transport a PTO shaft in a horizontal position. There is a risk of injury / accident or damage to the shaft should the two halves of the shaft fall apart.
- **PTO drive shaft components** (especially clutches) can reach high temperatures during operation. **DO NOT TOUCH!**

## POWER RATINGS AND DIMENSIONS

PTO AND DRIVELINE COMPONENTS / PTO SHAFT TECHNICAL INFORMATION / POWER RATINGS AND DIMENSIONS



Please refer to the data below for shaft sizes and capacities.

When replacing an old shaft please check the diameter and width of the cross kit (dim A & B) to ensure you are selecting a shaft of equivalent rating.

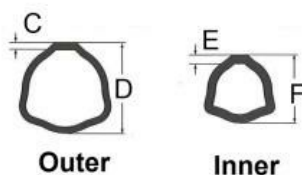
SERIES	540 - RPM			1000 - RPM			MAX DYNAMIC TORQUE
	POWER		TORQUE	POWER		TORQUE	
	KW	HP	N.m	KW	HP	N.m	
1	12	16	210	18	25	172	320
2	15	21	270	23	31	220	450
4	26	35	460	40	56	380	780
6	47	64	830	74	100	710	1450
8	70	95	1240	110	150	1050	2250
9	88	120	1560	140	190	1340	2900

Values related to 5 degree joint angles, 1000hrs life.

SERIES	DIMENSION					
	A	B	C	D	E	F
1	22	54	3.2	36	4	29
2	23.8	61.3	3.2	36	4	29
4	27	74.6	3.4	43.5	4.5	36
6	30.2	92	4	54	4	44.5
8	34.9	106.5	4	54	5.5	44.5
9	41	108.4	SEE DETAILS BELOW			

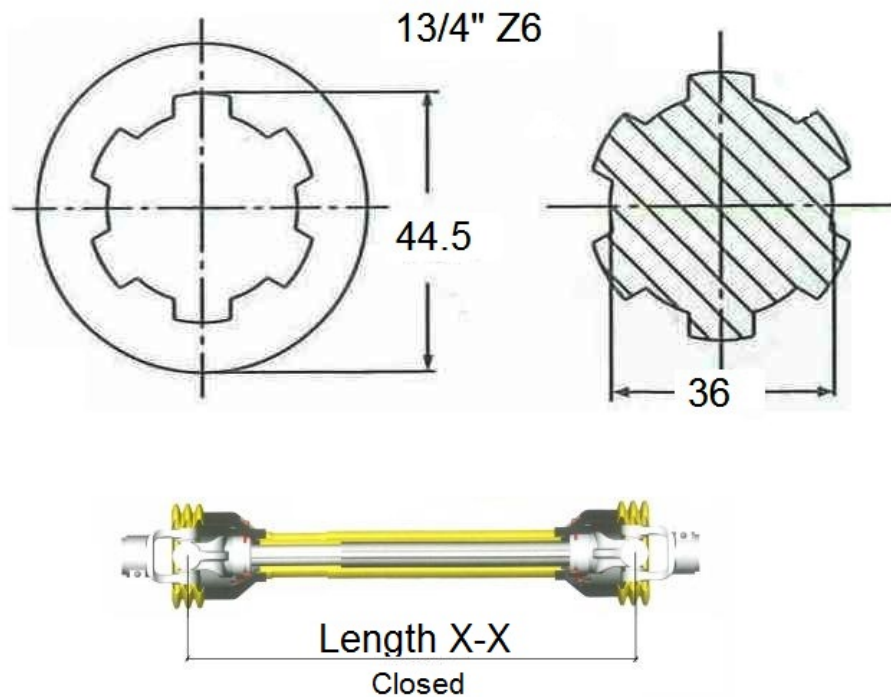


**Cross kit**  
(Bearing)



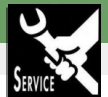
**Telescopic sections**

Below drawing shows splined M series shaft. Series 9 PTO shafts only.



## SERVICING AND PROBLEM SOLVING

PTO AND DRIVELINE COMPONENTS / PTO SHAFT TECHNICAL INFORMATION / SERVICING AND PROBLEM SOLVING



PTO shafts encounter high stresses and loads during their operation. They are designed for this however can sometimes fail for various reasons. When this occurs there are often signs on the shaft or its components that will indicate the cause of the failure.

- **Yoke ears bent apart, power take-off shaft connections damaged, bearing damage on connecting shafts on implement or tractor.** Caused by compression of a PTO shaft that is too long for the application. This can be fixed by shortening the length of the PTO shaft. This process should only be carried out by a person experienced to do so.

- **Deformation / Damage to yoke ears.** Normally caused by excessive torque or shock load. Avoid overloading by engaging drive under load or at high speed. The tractors PTO should be engaged or disengaged at low revs allowing for a reduced shock load on the PTO shaft. A clutch if fitted may also need adjusting if yoke damage is identified.

- **Wear on yoke ears/sides.** This is caused by excessive working angles. The PTO should be disengaged when the joint angle exceeds 45 degrees or the joint angles are unequal. **The maximum operating angle is 25 degrees.** For short periods at reduced output the maximum angle where contact between PTO drive shaft guard and rotating components is avoided is 45 degrees. When Stationary the max joint angle is 90 degrees. Aim for small identical joint angles when operating the machine. **Wide angle** PTO shafts have a maximum operating angle of 25 degrees. For short periods at reduced output they can be used up to 80 degrees. When stationary the max joint angle is also 80 degrees. Greater angles will result in damage to the joint.

- **Excessive wear of telescopic tubing, shaft falls apart, telescopic sections widened.** "Poor lubrication or insufficient tube overlap. Under normal conditions the tubing should be greased every 50 hours. This may vary depending on the conditions encountered. **Telescopic tubes must overlap by at least half of their length during normal operating conditions** and one third of their length in all working conditions.

- **Damage / deformity of telescopic tubes.** Normally caused by excessive torque or shock load. Avoid overloading by engaging drive under load or at high speed. The tractors PTO should be engaged or disengaged at low revs allowing for a reduced shock load on the PTO shaft. A clutch if fitted may also need adjusting if tube damage is identified. Ensure that the PTO shaft does not come in contact with the tractor or machinery during operation or turning. Wear can also be caused by vibration resulting from unequal or excessive joint angles.

- **Bent telescopic tubes.** Normally caused by contact between PTO drive shaft and machine parts or tractor parts like draw bars or linkage arms. Ensure the shaft has clearance during all operating angles.

- **Wear of shield bearings.** Caused by insufficient lubrication. The shields fitted to our Aksan range of PTO shafts are supported by a nylon type bearing normally red or white in colour. These bearings are made from a nylon type material but still require lubrication (grease) to reduce friction wear. Lubricate every 8 hours.

- **Accelerated wear in cross bearings.** Normally caused by excessive load encountered when operating equipment at higher than recommended speeds or power ratings.

- **Cross Bearing arms broken.** Normally caused by excessive torque peak or shock load. Can be a result of a poorly adjusted clutch, impact, or poor driver practice by engaging or disengaging the drive under load or excessive speed.

- **Centring system on wide angle joint broken.** Caused by bending of the joint during operation of standstill by more than 80 degrees. Prevent excess bending by modifying the hitch or operating procedure.

**Note.** A Poorly adjusted clutch or the absence of a clutch device is cause of the majority of PTO shaft failures we see. This is followed by abuse caused by sharp turning or inappropriate work angles and general lack of lubrication (Grease). Wide angle PTO shafts are particularly prone to failure due to lack of lubrication or poor set up. A wide angle PTO joint should be greased every 8 hours. More often in some conditions. This lubrication is sometimes overlooked or postponed due to the protective shielding around the wide angle joint and will result in premature wear and a reduced life span of the shaft.

### Lubrication:

**Grease type:** Lithium saponified

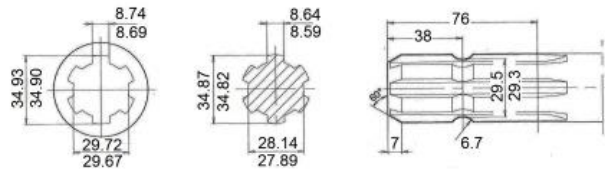
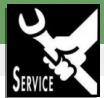
**Consistence class:** NL-G12

**Grease qty:** 15g approx. 5 strokes.

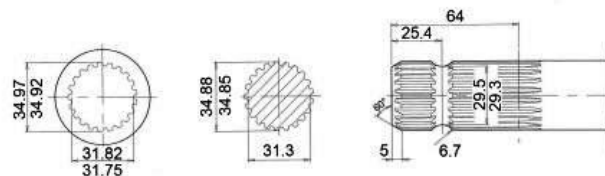
**Frequency:** Joints cover etc. every 8 hours. Telescopic tube every 50 hours. These may vary depending on specific applications.

## STANDARD AGRICULTURAL SPLINES

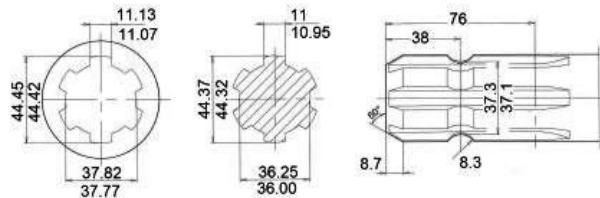
PTO AND DRIVELINE COMPONENTS / PTO SHAFT TECHNICAL INFORMATION / STANDARD AGRICULTURAL SPLINES



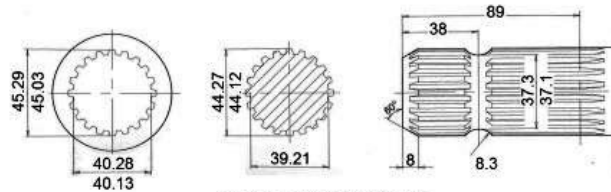
13/8Z6 - STANDARD 540 RPM SPLINE



13/8Z21 - SMALL 1000 RPM SPLINE



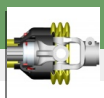
13/4Z6 - 1000 RPM SPLINE



13/4Z20 - 1000 RPM SPLINE

## SERIES 1 PTO - 16/25 HP

PTO AND DRIVELINE COMPONENTS / SERIES 1 PTO - 16/25 HP



Aline Trading Pty Ltd stock a diverse range of complete PTO shafts and components.

Listed below are some of the common versions we supply. Other combinations can be assembled to order.

We welcome orders from one off specials to large volume OEM requirements.

Please contact us today to discuss your requirements.

Notes:

- Lengths shown below are measured from bearing centre to bearing centre.

- Shaft extension - Shafts should be installed with a 50% (half) tube overlap under normal conditions. A minimum overlap of one third is recommended under all conditions. Extensions above this will result in premature shaft wear / failure.

Common terms:

\* QR = Quick release. Refers to yoke or clutch hub style.

\* CB = clamp bolt. Refers to yoke or clutch hub style.

\* Plain = Non splined bore. Normally supplied with keyway and grub screws for attachment.

\* Plain CB = as per plain above with the addition of a clamp bolt for attachment.

\* 13/8Z6 = Standard 540 RPM 13/8" diameter 6 spline.

\* 13/8Z21 = Standard 1000 RPM 13/8" diameter 21 spline.

\* 13/4Z20 = Standard 1000 RPM 13/4" diameter 20 spline.

\* 13/4Z6 = Standard 1000 RPM 13/4" diameter 6 spline.

All content © 2013 A-Line Trading - Component Solutions



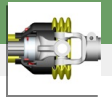
SPECIFICATIONS							
BEARING	540 - RPM			1000 - RPM			MAX DYNAMIC TORQUE
	POWER		TORQUE	POWER		TORQUE	
	KW	HP	N.m	KW	HP	N.m	
22 x 54	12	16	210	18	25	172	450

Values related to 5 degree joint angles, 1000hrs life.

Standard Series 1 Shafts			
Part No	Length X-X	End 1	End 2
AL02064	610	13/8Z6 QR	13/8Z6 QR

## SERIES 2 PTO - 21/31 HP

PTO AND DRIVELINE COMPONENTS / SERIES 2 PTO - 21/31 HP



Aline Trading Pty Ltd stock a diverse range of complete PTO shafts and components.

Listed below are some of the common versions we supply. Other combinations can be assembled to order.

We welcome orders from one off specials to large volume OEM requirements.

Please contact us today to discuss your requirements.

Notes:

- Lengths shown below are measured from bearing centre to bearing centre.

- Shaft extension - Shafts should be installed with a 50% (half) tube overlap under normal conditions. A minimum overlap of one third is recommended under all conditions. Extensions above this will result in premature shaft wear / failure.

Common terms:

\* QR = Quick release. Refers to yoke or clutch hub style.

\* CB = clamp bolt. Refers to yoke or clutch hub style.

\* Plain = Non splined bore. Normally supplied with keyway and grub screws for attachment.

\* Plain CB = as per plain above with the addition of a clamp bolt for attachment.

\* 13/8Z6 = Standard 540 RPM 13/8" diameter 6 spline.

\* 13/8Z21 = Standard 1000 RPM 13/8" diameter 21 spline.

\* 13/4Z20 = Standard 1000 RPM 13/4" diameter 20 spline.

\* 13/4Z6 = Standard 1000 RPM 13/4" diameter 6 spline.

SPECIFICATIONS							
BEARING	540 - RPM			1000 - RPM			MAX DYNAMIC TORQUE
	POWER		TORQUE	POWER		TORQUE	
	KW	HP	N.m	KW	HP	N.m	
23.8 x 61.3	15	21	270	23	31	220	450

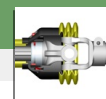
Values related to 5 degree joint angles, 1000hrs life.

Standard Series 2 Shafts			
Part No	Length X-X	End 1	End 2
AL02071	610	13/8Z6 QR	13/8Z6 QR
AL02069	610	1" PLAIN CB	1" PLAIN CB
AL02072	610	13/8Z6 QR	13/8Z6 CB
AL02073	610	13/8Z6 QR	1" PLAIN
AL02074	610	13/8Z6 QR	25mm PLAIN
AL02075	610	13/8Z6 QR	30mm PLAIN
AL02077	610	25mm PLAIN	25mm PLAIN
AL02084	810	13/8Z6 QR	13/8Z6 QR
AL02085	810	11/4 PLAIN CB	11/4 PLAIN CB
AL02086	1010	13/8Z6 QR	13/8Z6 QR
AL02088	1010	13/8Z6 QR	25mm PLAIN
AL02089	1010	13/8Z6 QR	30mm PLAIN
AL02091	1210	13/8Z6 QR	13/8Z6 QR
AL02095	1210	13/8Z6 QR	1" PLAIN

Series 2 shafts with clutch.				
Part No	Length X-X	Yoke End	Clutch End	Clutch
AL02070	660	13/8Z6 QR	13/8Z6 CB	YK2-600Nm

## SERIES 4 PTO - 35/56 HP

PTO AND DRIVELINE COMPONENTS / SERIES 4 PTO - 35/56 HP



Aline Trading Pty Ltd stock a diverse range of complete PTO shafts and components.

Listed below are some of the common versions we supply. Other combinations can be assembled to order.

We welcome orders from one off specials to large volume OEM requirements.

Please contact us today to discuss your requirements.

Notes:

- Lengths shown below are measured from bearing centre to bearing centre.

- Shaft extension - Shafts should be installed with a 50% (half) tube overlap under normal conditions. A minimum overlap of one third is recommended under all conditions. Extensions above this will result in premature shaft wear / failure.

Common terms:

\* QR = Quick release. Refers to yoke or clutch hub style.

\* CB = clamp bolt. Refers to yoke or clutch hub style.

\* Plain = Non splined bore. Normally supplied with keyway and grub screws for attachment.

\* Plain CB = as per plain above with the addition of a clamp bolt for attachment.

\* 13/8Z6 = Standard 540 RPM 13/8" diameter 6 spline.

\* 13/8Z21 = Standard 1000 RPM 13/8" diameter 21 spline.

\* 13/4Z20 = Standard 1000 RPM 13/4" diameter 20 spline.

\* 13/4Z6 = Standard 1000 RPM 13/4" diameter 6 spline.

SPECIFICATIONS							
BEARING	540 - RPM			1000 - RPM			MAX DYNAMIC TORQUE
	POWER		TORQUE	POWER		TORQUE	
	KW	HP	N.m	KW	HP	N.m	
27 x 74.6	26	35	460	40	56	380	780

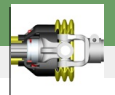
Values related to 5 degree joint angles, 1000hrs life.

Standard Series 4 Shafts			
Part No	Length X-X	End 1	End 2
AL02112	710	25mm PLAIN	25mm PLAIN
AL02120	810	13/8Z6 QR	13/8Z6 QR
AL02123	760	13/8Z6 QR	11/2" PLAIN CB
AL02126	760	13/8Z6 QR	13/8" PLAIN CB
AL02139	960	13/8Z6 QR	13/8Z6 QR
AL02140	960	13/8Z6 QR	35mm PLAIN CB
AL02151	1160	13/8Z6 QR	13/8Z6 QR
AL02154	1160	13/8Z6 QR	11/2 PLAIN
AL02155	1160	13/8Z6 QR	13/8 PLAIN CB
AL02171	1660	13/8Z6 QR	13/8Z6 QR
AL02173	1660	13/8Z6 QR	11/4 PLAIN CB

Series 4 shafts with clutch.				
Part No	Length X-X	Yoke End	Clutch End	Clutch
AL02114	710mm	13/8Z6 QR	13/8Z6 CB	PK4-780Nm SHEAR BOLT
AL02115	710	13/8Z6 QR	13/8Z6 QR	SD1-1600Nm O/RUN
AL02118	760	13/8Z6 QR	13/8Z6 CB	BS1-900Nm FRICTION
AL02119	760	13/8Z6 QR	11/4 PLAIN CB	BS1-900Nm FRICTION
AL02127	760	13/8Z21 QR	13/8Z6 CB	BS1-900Nm FRICTION
AL02137	960	13/8Z6 QR	13/8Z6 CB	BS1-900Nm FRICTION
AL02148	1110	13/8Z6 QR	13/8Z6 QR	YK4-1000Nm RADIAL PIN
AL02149	1160	13/8Z6 QR	13/8Z6 CB	BS1-900Nm FRICTION
AL02169	1660	13/8Z6 QR	13/8Z6 CB	BS1-900Nm FRICTION
AL02170	1660	13/8Z6 QR	11/4 PLAIN CB	BS1-900Nm FRICTION

## SERIES 6 PTO - 64/100 HP

PTO AND DRIVELINE COMPONENTS / SERIES 6 PTO - 64/100 HP



Aline Trading Pty Ltd stock a diverse range of complete PTO shafts and components.

Listed below are some of the common versions we supply. Other combinations can be assembled to order.

We welcome orders from one off specials to large volume OEM requirements.

Please contact us today to discuss your requirements.

Notes:

- Lengths shown below are measured from bearing centre to bearing centre.

- Shaft extension - Shafts should be installed with a 50% (half) tube overlap under normal conditions. A minimum overlap of one third is recommended under all conditions. Extensions above this will result in premature shaft wear / failure.

Common terms:

\* QR = Quick release. Refers to yoke or clutch hub style.

\* CB = clamp bolt. Refers to yoke or clutch hub style.

\* Plain = Non splined bore. Normally supplied with keyway and grub screws for attachment.

\* Plain CB = as per plain above with the addition of a clamp bolt for attachment.

\* 13/8Z6 = Standard 540 RPM 13/8" diameter 6 spline.

\* 13/8Z21 = Standard 1000 RPM 13/8" diameter 21 spline.

\* 13/4Z20 = Standard 1000 RPM 13/4" diameter 20 spline.

\* 13/4Z6 = Standard 1000 RPM 13/4" diameter 6 spline.

SPECIFICATIONS							
BEARING	540 - RPM			1000 - RPM			MAX DYNAMIC TORQUE
	POWER		TORQUE	POWER		TORQUE	
	KW	HP	N.m	KW	HP	N.m	
30.2 x 92	47	64	830	74	100	710	1450

Values related to 5 degree joint angles, 1000hrs life.



**Standard Series 6 Shafts.**

<b>Part No</b>	<b>Length X-X</b>	<b>End 1</b>	<b>End 2</b>
AL02191	760	13/8Z6 QR	11/2" PLAIN CB
AL02192	760	13/8Z6 QR	11/2" PLAIN
AL02193	760	13/8Z6 QR	13/8Z6 QR
AL02194	760	13/8Z6 QR	13/8Z21 QR
AL02204	960	13/8Z21 QR	13/8Z21 QR
AL02207	960	13/8Z6 QR	13/8Z6 QR
AL02208	960	13/8Z6 QR	13/8Z21 QR
AL02209	960	13/8Z6 QR	13/4Z20 QR
AL02210	960	13/8Z6 QR	13/8Z6 CB
AL02211	960	13/8Z6 QR	11/2" PLAIN CB
AL02608	960	13/8Z6 QR	35mm PLAIN CB
AL02646	960	13/4Z20 QR	13/4Z20 QR
AL02218	1260	13/8Z6 QR	13/4Z20 QR
AL02224	1260	13/8Z6 QR	13/8Z6 QR
AL02229	1260	13/8Z6 QR	11/2" PLAIN CB
AL02230	1260	13/8Z6 QR	13/8" PLAIN CB
AL02248	1660	13/8Z6 QR	13/8Z6 QR
AL02249	1660	13/8Z6 QR	13/4Z20 QR
AL02159	2260	13/8Z6 QR	13/8Z6QR NO COVER
AL02160	2260	13/8Z6 CB	13/8Z6 CB NO COVER

Series 6 shafts with clutch.				
Part No	Length X-X	Yoke End	Clutch End	Clutch
AL02142	910mm	13/4Z20 QR	13/4Z20 CB	BS2-1200Nm FRICTION
AL02205	910	13/8Z6QR	13/8Z6 CB	BS2-1200Nm FRICTION
AL02206	910	13/8Z6 QR	13/8Z6 CB	BSD1-1200Nm FRICTION O/RUN
AL02212	910	13/8Z21 QR	13/8Z6 CB	BS2-1200Nm FRICTION
AL02215	910	13/4Z20 QR	13/8Z6 CB	BS2-1200Nm FRICTION
AL02220	1210	13/8Z6 QR	13/8Z6 QR	PK6-1050Nm SHEAR BOLT
AL02221	1210	13/8Z6 QR	13/8Z6 CB	BS2-1200Nm FRICTION
AL02222	1210	13/8Z6 QR	13/4Z6 CB	BS2-1200Nm FRICTION
AL02223	1210	13/8Z6 QR	13/8Z6 CB	BSD1-1200Nm FRICTION O/RUN
AL02228	1210	13/8Z6 QR	11/2" PLAIN CB	BS2-1200Nm FRICTION
AL02231	1210	13/8Z21 QR	13/8Z6 CB	BS2-1200Nm FRICTION
AL02232	1210	13/8Z21 QR	13/4Z6 CB	BS2-1200Nm FRICTION
AL02236	1210	13/4Z20 QR	13/8Z6 CB	BS2-1200Nm FRICTION
AL02237	1210	13/4Z20 QR	13/4Z6 CB	BS2-1200Nm FRICTION
AL02238	1610	13/4Z20 QR	13/4Z20 CB	BS2-1200Nm FRICTION
AL02239	1610	13/8Z6QR	13/4Z20 CB	BS2-1200Nm FRICTION
AL02240	1610	13/8Z21 QR	13/4Z20 CB	BS2-1200Nm FRICTION
AL02241	1610	13/8Z6 QR	13/4Z6 CB	BS2-1200Nm FRICTION
AL02245	1610	13/8Z6 QR	13/8Z6 CB	BS2-1200Nm FRICTION
AL02247	1660	13/8Z6 QR	13/8Z6 CB	BSD1-1200Nm FRICTION O/RUN
AL02254	1610	13/4Z20 QR	13/4Z6 CB	BS2-1200Nm FRICTION
AL02255	1610	13/8Z21 QR	13/8Z6 CB	BSD1-1200Nm FRICTION O/RUN
AL02256	1610	13/4Z20 QR	13/8Z6 CB	BS2-1200Nm FRICTION
AL02257	1610	13/4Z20 QR	13/8Z6 CB	BSD1-1200Nm FRICTION O/RUN
AL02258	1610	13/8Z21 QR	13/4Z6 CB	BS2-1200Nm FRICTION

## SERIES 6 WIDE ANGLE PTO 53/83HP

PTO AND DRIVELINE COMPONENTS / SERIES 6 WIDE ANGLE PTO 53/83HP



These wide angle PTO shafts give the agricultural machine the ability to turn on land and work on uneven surfaces at 25 degree angles and up to 80 degree angles for short periods at reduced output. This device gives the possibility to work up to 80 degrees. When stationary the maximum bend angle is also 80 degrees. The wide angle unit is normally fitted to the tractor side but can also be fitted to the implement end when required. Please refer to the safety & servicing sections for further information.

Suitable for tractors between 31-50 HP.

Series 6 Wide Angle Shafts			
Part No	Length X-X	End 1	End 2
AL02201	960	13/8Z6 QR G8 WIDE ANGLE	13/8Z6 QR

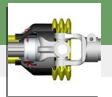


SPECIFICATIONS						
BEARING	540 - RPM			1000 - RPM		
	POWER		TORQUE	POWER		TORQUE
	KW	HP	N.m	KW	HP	N.m
32 x 76 27 x 94	39	53	695	61	83	580

Values related to 10 degree joint angles, 1000hrs life.

## SERIES 8 PTO - 95/150 HP

PTO AND DRIVELINE COMPONENTS / SERIES 8 PTO - 95/150 HP



Aline Trading Pty Ltd stock a diverse range of complete PTO shafts and components. Listed below are some of the common versions we supply. Other combinations can be assembled to order. We welcome orders from one off specials to large volume OEM requirements. Please contact us today to discuss your requirements.

**Notes:**

- Lengths shown below are measured from bearing centre to bearing centre.
- Shaft extension - Shafts should be installed with a 50% (half) tube overlap under normal conditions. A minimum overlap of one third is recommended under all conditions. Extensions above this will result in premature shaft wear / failure.

**Common terms:**

- \* QR = Quick release. Refers to yoke or clutch hub style.
- \* CB = clamp bolt. Refers to yoke or clutch hub style.
- \* Plain = Non splined bore. Normally supplied with keyway and grub screws for attachment.
- \* Plain CB = as per plain above with the addition of a clamp bolt for attachment.
- \* 13/8Z6 = Standard 540 RPM 13/8" diameter 6 spline.
- \* 13/8Z21 = Standard 1000 RPM 13/8" diameter 21 spline.
- \* 13/4Z20 = Standard 1000 RPM 13/4" diameter 20 spline.
- \* 13/4Z6 = Standard 1000 RPM 13/4" diameter 6 spline.

SPECIFICATIONS							
BEARING	540 - RPM			1000 - RPM			MAX DYNAMIC TORQUE
	POWER		TORQUE	POWER		TORQUE	
	KW	HP	N.m	KW	HP	N.m	
34.9 x 106.5	70	95	1240	110	150	1050	2250

Values related to 5 degree joint angles, 1000hrs life.

Standard Series 8 Shafts			
Part No	Length X-X	End 1	End 2
AL02267	860	13/4Z20 QR	13/4Z20 QR
AL02274	1110	13/8Z6 QR	13/8Z6 QR
AL02275	1110	13/8Z6 QR	13/4Z20 QR
AL02278	1110	13/8Z21 QR	13/8Z21 QR
AL02283	1110	13/4Z20 QR	13/4Z20 QR
AL02285	1110	13/4Z20 QR	13/4Z6 QR
AL02280	1610	13/8Z6 QR	13/8Z6 QR

Series 8 shafts with clutch.				
Part No	Length X-X	Yoke End	Clutch End	Clutch
AL02266	600	13/4Z20 CB	13/4Z20 CB	BSD3-1700Nm FRICTION O/RUN
AL02271	1110	13/8Z6 QR	13/8Z6 CB	BS4-1700Nm FRICTION
AL02272	1110	13/8Z6 QR	13/4Z6 CB	BS4-1700Nm FRICTION
AL02273	1110	13/8Z6 QR	13/4Z20 CB	BS4-1700Nm FRICTION
AL02281	1110	13/4Z20 QR	13/4Z6 CB	BS4-1700Nm FRICTION
AL02282	1110	13/4Z20 QR	13/4Z20 CB	BS4-1700Nm FRICTION
AL02286	1110	13/8Z6 QR	13/4Z20 CB	BSD3-1700Nm FRICTION O/RUN
AL02288	1110	13/4Z20 QR	13/4Z20 CB	BSD3-1700Nm FRICTION O/RUN
AL02289	1110	13/8Z21 QR	13/4Z20 CB	BSD3-1700Nm FRICTION O/RUN
AL02276	1610	13/8Z6 QR	13/4Z6 CB	BS4-1700Nm FRICTION
AL02277	1610	13/4Z20 QR	13/4Z6 CB	BS4-1700Nm FRICTION
AL02279	1610	13/4Z20 QR	13/4Z20 CB	BSD3-1700Nm FRICTION O/RUN

## SERIES 8 WIDE ANGLE PTO 90/139 HP

PTO AND DRIVELINE COMPONENTS / SERIES 8 WIDE ANGLE PTO 90/139 HP



These wide angle PTO shafts give the agricultural machine the ability to turn on land and work on uneven surfaces at 25 degree angles and up to 80 degree angles for short periods at reduced output. This device gives the possibility to work up to 80 degrees. When stationary the maximum bend angle is also 80 degrees. The wide angle unit is normally fitted to the tractor side but can also be fitted to the implement end when required. Please refer to the safety & servicing sections for further information.

Suitable for tractors between 51-110 HP

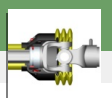
Series 8 Wide Angle Shafts			
Part No	Length X-X	End 1	End 2
AL02268	1150	13/8Z6 QR G8 WIDE ANGLE	13/8Z6 QR



SPECIFICATIONS						
BEARING	540 - RPM			1000 - RPM		
	POWER		TORQUE	POWER		TORQUE
	KW	HP	N.m	KW	HP	N.m
39 x 89 32 x 110	66	90	1175	102	139	975
Values related to 10 degree joint angles, 1000hrs life.						

## SERIES 9 PTO - 120/190HP

PTO AND DRIVELINE COMPONENTS / SERIES 9 PTO - 120/190HP



Aline Trading Pty Ltd stock a diverse range of complete PTO shafts and components.

Listed below are some of the common versions we supply. Other combinations can be assembled to order.

We welcome orders from one off specials to large volume OEM requirements.

Please contact us today to discuss your requirements.

Notes:

- Lengths shown below are measured from bearing centre to bearing centre.
- Shaft extension - Shafts should be installed with a 50% (half) tube overlap under normal conditions. A minimum overlap of one third is recommended under all conditions. Extensions above this will result in premature shaft wear / failure.

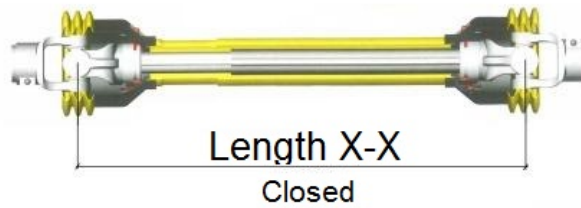
Common terms:

- \* QR = Quick release. Refers to yoke or clutch hub style.
- \* CB = clamp bolt. Refers to yoke or clutch hub style.
- \* Plain = Non splined bore. Normally supplied with keyway and grub screws for attachment.
- \* Plain CB = as per plain above with the addition of a clamp bolt for attachment.
- \* 13/8Z6 = Standard 540 RPM 13/8" diameter 6 spline.
- \* 13/8Z21 = Standard 1000 RPM 13/8" diameter 21 spline.
- \* 13/4Z20 = Standard 1000 RPM 13/4" diameter 20 spline.
- \* 13/4Z6 = Standard 1000 RPM 13/4" diameter 6 spline.

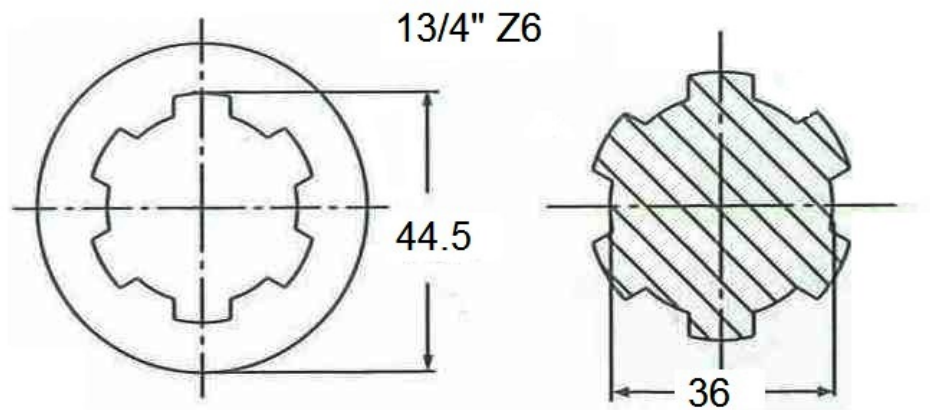
SPECIFICATIONS							
BEARING	540 - RPM			1000 - RPM			MAX DYNAMIC TORQUE
	POWER		TORQUE	POWER		TORQUE	
	KW	HP	N.m	KW	HP	N.m	
41 x 108.6	88	120	1560	140	190	1340	2900

Values related to 5 degree joint angles, 1000hrs life.

Series 9 shafts with clutch.				
Part No	Length X-X	Yoke End	Clutch End	Clutch
AL02291	1610	13/4Z20 QR	13/4Z20 CB	BS6-3000Nm 6 PLATE FRICTION O/RUN
AL02295	1430	13/4Z20 QR	13/4Z20 CB	BS6-3000Nm 6 PLATE FRICTION O/RUN



Detail of Series T9 solid splined shaft shown below.



## CLUTCHES

PTO AND DRIVELINE COMPONENTS / CLUTCHES



### SAFETY DEVICES

These devices, in various types and capacities are used to protect the tractor, agricultural machine and the drive shaft against damage caused by over- consumption of energy caused by the overloading of the agricultural machinery in operation.

Aline Trading P/L stock a range of these devices to cover most applications.



Non stock items can be ordered for OEM's if required. Min qtys may apply.

Note: According to international regulations, safety devices (clutches) are designed to be mounted on the machinery side and must be installed with adequate safety guards.

Common terms:

- \* QR = Quick release. Refers to yoke or clutch hub style.
- \* CB = clamp bolt. Refers to yoke or clutch hub style.
- \* Plain = Non splined bore. Normally supplied with keyway and grub screws for attachment.
- \* Plain CB = as per plain above with the addition of a clamp bolt for attachment.
- \* 13/8Z6 = Standard 540 RPM 13/8" diameter 6 spline.
- \* 13/8Z21 = Standard 1000 RPM 13/8" diameter 21 spline.
- \* 13/4Z20 = Standard 1000 RPM 13/4" diameter 20 spline.
- \* 13/4Z6 = Standard 1000 RPM 13/4" diameter 6 spline.

## Friction Clutch

PTO AND DRIVELINE COMPONENTS / CLUTCHES / Friction Clutch



This device protects the agricultural machine and the drive shaft against possible damages by the help of the pre-set torque, due to sudden increases in power consumption of the tractor in operation. The torque is altered by adjusting the tension of the externally mounted springs. Instructions for clutch adjustment are shown separately under friction clutch set up and adjustment.

Friction clutches are available in either 2, 4 or 6 plate models depending on the torque required. They are also supplied with a spline shaft input for use as a separate item or with bearing ears to be incorporated with your PTO shaft.

This device is fitted to the implement side of the PTO shaft.

Aline Trading present a select range of products suitable for popular applications. Other items are available to order for OEM applications.

Note : C.B = Clamp Bolt.

Part No	Model	Torque Nm	Input Yoke / Shaft	Output Bore
AL00316	BS1	900	T4 YOKE	13/8Z6 CB
AL00317	BSM1	900	13/8Z6	13/8Z6 CB
AL00318	BS2	1200	T6 YOKE	13/8Z6 CB
AL00381	BS2	1200	T6 YOKE	13/4Z6 CB
AL00321	BSM2	1200	13/8Z6	13/8Z6 CB
AL00322	BSM2	1200	13/8Z6	11/2" PLAIN CB
AL00323	BS4	1700	T8 YOKE	13/8Z6 CB
AL00324	BS4	1700	T8 YOKE	13/4Z20 CB
AL00325	BSM4	1700	13/8Z6	13/4Z6 CB
AL00329	BSM2	1200	13/8Z6	13/4Z20 CB
AL00332	BSM4	1700	13/8Z6	13/8Z6 CB
AL00348	BSM4	1700	13/4Z20	13/4Z6 CB
AL00356	BSM4	1700	13/4Z20	13/4Z20 CB
AL00392	BSM2	1200	13/8Z6	13/4Z6 CB

AL00321 - BSM2 CLUTCH

13/8Z6 MALE - 13/8Z6 CB ( CLAMP BOLT)



AL00316 - BS1CLUTCH

T4 YOKE - 13/8Z6 CB ( CLAMP BOLT)



AL00356 - BSM4 CLUTCH  
13/4Z20 - 13/4Z20 CB ( CLAMP BOLT)



## Friction overrun clutch

PTO AND DRIVELINE COMPONENTS / CLUTCHES / Friction overrun clutch



Friction and overrunning clutches are combined clutches in which a friction clutch protects the agricultural machine and drive shaft against torque peaks, while the overrunning clutch eliminates the effects of rotating masses when a tractor in operation is suddenly stopped or slowed down.

This device is fitted to the implement side of the PTO shaft.

Aline Trading present a select range of products suitable for popular applications. Other items are available to order for OEM applications.

Part No	Model	Torque	Input	Output
AL00310	BSD1	1200Nm	T6 YOKE	13/8Z6 CB
AL00312	BSD1	1200Nm	T6 YOKE	13/4Z20 CB
AL00320	BSD1	1200Nm	T6 YOKE	13/8Z6 QR
AL00331	BSDM1	1200Nm	13/8Z6 SHAFT	13/8Z6 CB
AL00313	BSD3	1700Nm	T8 YOKE	13/4Z20 CB
AL00385	BSD5	3000Nm	T9 YOKE	13/4Z20 CB

P/No AL00310

T6 Yoke - 13/8Z6 CB



**P/No AL00313**  
T8 yoke - 13/4Z20 CB



### Shear bolt clutch

PTO AND DRIVELINE COMPONENTS / CLUTCHES / Shear bolt clutch



This safety device avoids the transmission of the rotational motion through the agricultural machine due to overloading, by the help of a bolt that shears off while the assembly of the hub and yoke are kept together by a ball bearing allowing the two parts to rotate independently.

This device is fitted to the implement side of the PTO shaft.

Aline Trading present a select range of products suitable for popular applications. Other items are available to order for OEM applications.

Part No	Model	Torque Nm	Input	Output
AL00307	PK4	780	T4 YOKE	13/8Z6 QR
AL00308	PK6	1050	T6 YOKE	13/8Z6 QR
AL00326	PK8	2160	T8 YOKE	13/8Z6 QR



### Overrunning clutch

PTO AND DRIVELINE COMPONENTS / CLUTCHES / Overrunning clutch



This device gradually eliminates the kinetic energy accumulated on the flywheel of the agricultural machine, stopping the energy from being transmitted through the tractor when the tractor is in operation and is suddenly stopped or slowed down. When used on an assembly with another safety clutch on the same drive shaft, the overrunning clutch is mounted on the tractor side.

Aline Trading present a select range of products suitable for popular applications. Other items are available to order for OEM applications.

Part No	Model	Input	Output	Torque
AL00311	SDM1	13/8Z6	13/8z6 QR	1600 Nm
AL00309	SDM3	13/4Z20	13/4Z20 CB	2400 Nm
AL00292	SD1	T4 Yoke	13/4Z6 QR	1600 Nm

AL00309 Shown Below.



### Radial Pin Clutch

PTO AND DRIVELINE COMPONENTS / CLUTCHES / Radial Pin Clutch



This device is used to protect the tractor, agricultural machine and drive shaft against possible damages caused by overloads of the agricultural machine, by allowing temporary slippage. Sound during slipping signifies the overload. The tractor should be stopped in order to avoid excessive wear.

This device is fitted to the implement side of the PTO shaft.

Aline Trading present a select range of products suitable for popular applications. Other items are available to order for OEM applications.

Part No	Model	Input	Output	Torque
AL00314	YKM2	13/8Z6	13/8Z6 QR	600 Nm
AL00380	YK2	T4 Yoke	13/8Z6 QR	600 Nm
AL00315	YK4	T4 Yoke	13/8Z6 QR	1000 Nm
AL00319	YKM4	13/8Z6	13/8Z6 QR	1200 Nm



## Friction clutch set up and adjustment.

PTO AND DRIVELINE COMPONENTS / CLUTCHES / Friction clutch set up and adjustment.



### FRICITION CLUTCH SETTING

#### Factory settings.

When delivered from the factory, friction clutches are normally set to their rated torque settings. This is achieved by tensioning the clutch springs to their maximum compressed length. Compressing the springs beyond these lengths will cause damage to the clutch

7mm diameter springs. Max compressed spring length = 32.5mm 2 plate clutch = 1200 Nm, 4 plate clutch = 1700 Nm. (New series)

6mm diameter springs. Max compressed spring length = 28.5mm 2 plate clutch = 720 Nm, 4 plate clutch = 1300 Nm (Old series)

In many cases the clutch will need to be set to suit the specific application. This can be done by following the procedure below.

#### Slip clutches need to be set if one of the following occurs:

The clutch is new.

The clutch has been repaired (including replacing the friction discs).

The clutch is slipping in work (clutch getting hot, burning out friction discs, machine slowing down in work)

The clutch has been freed up after a period of storage (see "how to free up clutch" below).

#### How to set clutch:

The setting on the clutch is dependent on many variables - the work, the size of the tractor, the size of the machine. It is best to set up each clutch individually if possible. The aim is to start with a loose clutch and tighten it up to the exact point where it stops slipping in normal work. If set in this way the clutch will slip if any load exceeds this point, protecting both machine and tractor. It is best to set up the clutch with the machine on the tractor and in conditions which approximate to the normal work the machine does.

The bolts which go through the springs and hold tension on the clutch determine the point at which the clutch slips. These must all be set evenly, either by measuring spring length or counting the number of turns the nut has been tightened. The clutch must be quite loose initially to ensure it will slip. Slipping can be identified by the clutch getting very hot. (The clutch will always be quite warm in work as the gearbox gets warm). Run the machine for a short distance (20 metres) in work and check the clutch slips. Then tighten each tension bolt up a turn (more if the clutch was very loose) evenly and run a short distance again. Keep repeating this procedure until the clutch is not slipping - it should only take a few stops.

As you get to the point at which you think it is not slipping tighten the tension bolts half a turn instead of a full turn. Continue to work the slasher checking the clutch regularly; you will soon get an idea of how the clutch is performing. You may want to adjust it for varying conditions. If the clutch is too loose it will slip, wearing out the friction discs, getting hot and possibly damaging the clutch pressure surfaces as well. If the clutch is too tight it will fail to protect the tractor and machine if the machine hits an obstruction (tractor stalls, breakage occurs).

#### How to free up the clutch after a period of storage:

As outlined in the instructions on the machine the slip clutch can seize if left for long periods without use. The best way to free up a slip clutch is to loosen all the bolts that hold the spring tension on the friction plates (so they are quite loose), then run the machine with it either jammed so it cannot move, or put into heavy work, to slip the clutch. The clutch only needs to be slipped for 30 seconds to a minute to clean up the surfaces. Alternatively dismantle the clutch and clean it.

## UNIVERSAL JOINTS - SINGLE

PTO AND DRIVELINE COMPONENTS / UNIVERSAL JOINTS - SINGLE



Aline Trading offer a range of single universal joints suitable for use in many drive line applications.

The list below shows some of the common sizes available.

Other combinations can be made to request from our range of PTO yokes.

Please enquire today.

PART No	SERIES	YOKE 1	YOKE 2
AL00931	T1	25mm PLAIN	25mm PLAIN
AL00933	T1	13/8Z6 QR	13/8Z6 QR
AL00936	T1	13/8Z6 CB	1" PLAIN PLAIN
AL00938	T1	13/8Z21 CB	13/8Z21 CB
AL00939	T1	13/8Z21 CB	1" PLAIN
AL00940	T1	1" PLAIN	25mm PLAIN
AL00941	T1	1" PLAIN	1" PLAIN
AL02756	T1	13/8Z21 QR	13/8Z21 QR
AL00945	T2	25mm PLAIN	1" PLAIN
AL02106	T2	13/8Z21 QR	13/8Z21 QR

AL00939 SHOWN BELOW



AL01338 is a compact universal joint with shafts and is suitable for use on small roll tarps like those found on vineyard fertilizers and other applications. The shafts are connected to the yokes using a fine spline that allows for adjustment and clamp bolt.

Part Number AL01338	
Shaft diameter	21mm
Overall length	357mm
Bearing diameter	16mm
Width across yokes	43mm



## UNIVERSAL JOINTS - DOUBLE

PTO AND DRIVELINE COMPONENTS / UNIVERSAL JOINTS - DOUBLE



Aline Trading offer a range of double universal joints suitable for use in many drive line applications.

The list below shows some of the common sizes available.

Other combinations can be made to request from our range of PTO yokes.

Please enquire today.

PART No	SERIES	YOKE 1	YOKE 2	LENGTH
AL01321	T4	1 1/4 PLAIN CB	1 1/4 PLAIN CB	305mm
AL01324	T4	1 3/8 PLAIN CB	1 3/8 PLAIN CB	305mm
AL02632	T4	35mm PLAIN CB	35mm PLAIN CB	305 mm
AL01325	T4	35mm PLAIN CB	35mm PLAIN CB	376 mm
AL02616	T6	35mm PLAIN CB	35mm PLAIN CB	410 mm
AL02617	T6	1 3/8 Z6 CB	1 3/8 Z6 CB	410mm

AL02616 Shown below.

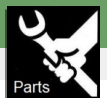


AL01321 Shown below.



## SPARE PARTS

PTO AND DRIVELINE COMPONENTS / SPARE PARTS



This section details the more commonly requested spare parts held by Aline Trading Pty Ltd for their range of driveline components.

## YOKES

PTO AND DRIVELINE COMPONENTS / SPARE PARTS / YOKES



Aline Trading stock a comprehensive range of PTO yokes in various capacities, bore configurations and clamping methods.

These yokes are suitable for repairing old shafts, modifying shafts for different applications and making items like single or double universal joints.

The yokes are available in 4 main styles.

(Photos at bottom of page)

- **Plain bore.** Used to fit on machinery with plain (non -splined) shafts with keyways. These yokes are supplied with keyways and grub screws or clamp bolts as required by the design of the yoke.
- **Quick release.** These yokes are fitted with either one or two push release pins (depending on the size) and are designed to fit on splined shafts where the PTO shaft needs to be uncoupled on a regular basis.
- **Clamp bolt.** These yokes are fitted with single or double clamping bolts (depending on the size) and are designed to fit on splined shafts where the PTO shaft needs to be held securely in position with and is only removed periodically for servicing etc. Commonly fitted to the implement end of a PTO shaft.
- **Tube yokes.** These yokes fit directly onto the telescopic tube of your PTO shaft to form the inner half of the universal joint. They are supplied with differing bore sizes to suit either the inner or outer tube section. These yokes are held in position by a heavy duty roll pin. (Supplied separately)

Series 1 Yokes			
Bearing size. 22mm x 54mm			
Series	Part No	Bore	Fixing

1	AL00025	25mm - 8mm KEY	S/SCREW
1	AL00024	1" - 1/4" Key	S/SCREW
1	AL00027	13/8 Z6 - SPLINE	Q/RELEASE
1	AL00028	13/8 Z21 - SPLINE	C/BOLT
1	AL00465	11/4" - 5/16" KEY	C/BOLT
1	AL00555	13/8Z21 - SPLINE	Q/RELEASE
<b>Series 2 Yokes</b>			
<b>Bearing size. 23.8mm x 61.3mm</b>			
<b>Series</b>	<b>Part No</b>	<b>Bore</b>	<b>Fixing</b>
2	AL00547	1" - 1/4" KEYWAY	C/BOLT
2	AL00556	13/8Z21 - SPLINE	C/BOLT
2	AL00557	13/8Z6 - SPLINE	Q/RELEASE
2	AL00558	13/8Z21 - SPLINE	Q/RELEASE
2	AL00559	13/8Z6 - SPLINE	C/BOLT
2	AL00560	11/4" - 5/16 KEYWAY	C/BOLT
2	AL00562	25mm - 8mm KEYWAY	C/BOLT
2	AL00564	1" - 5/16" KEYWAY	S/SCREW
2	AL00565	11/4" - 5/16" KEYWAY	S/SCREW
2	AL00566	25mm - 8mm KEYWAY	S/SCREW
2	AL00567	30MM - 8mm KEYWAY	S/SCREW
<b>Series 4 Yokes</b>			
<b>Bearing size. 27mm x 74.6mm</b>			
<b>Series</b>	<b>Part No</b>	<b>Bore</b>	<b>Fixing</b>
4	AL00569	13/8Z6 - SPLINE	Q/RELEASE
4	AL00570	13/8Z21 - SPLINE	Q/RELEASE
4	AL00571	13/8Z6 - SPLINE	C/BOLT
4	AL00572	13/8Z21 - SPLINE	C/BOLT
4	AL00576	35mm - 10mm KEYWAY	C/BOLT
4	AL00577	11/4" - 5/16" KEYWAY	C/BOLT
4	AL00579	13/8" - 3/8" KEYWAY	C/BOLT
4	AL00582	25mm - 8mm KEYWAY	S/SCREW
4	AL00583	30mm - 8mm KEYWAY	S/SCREW
4	AL00584	11/2" - 3/8" KEYWAY	S/SCREW
4	AL00585	11/4" - 8mm KEYWAY	S/SCREW MULTI
<b>Series 6 yokes</b>			
<b>Bearing size. 30.2mm x 92mm</b>			
<b>Series</b>	<b>Part No</b>	<b>Bore</b>	<b>Fixing</b>
6	AL00587	13/8Z6 - SPLINE	Q/RELEASE
6	AL00588	13/4Z6 - SPLINE	Q/RELEASE
6	AL00589	13/8Z21 - SPLINE	Q/RELEASE
6	AL00590	13/4Z20 - SPLINE	Q/RELEASE
6	AL00591	13/8Z6 - SPLINE	C/BOLT
6	AL00592	13/8Z21 - SPLINE	C/BOLT
6	AL00593	35mm - 10mm KEYWAY	C/BOLT
6	AL00594	11/2" - 3/8" KEYWAY	C/BOLT
6	AL00595	11/4" - 5/16" KEYWAY	C/BOLT
6	AL00596	13/8" - 3/8" KEYWAY	C/BOLT
6	AL00598	13/4Z20 - SPLINE	C/BOLT
6	AL00599	OUTER TUBE YOKE	R/PIN
6	AL00600	INNER TUBE YOKE	R/PIN
6	AL00632	ROLL PIN FOR TUBE YOKES	-
<b>Series 8 Yokes</b>			
<b>Bearing size. 34.9mm x 106.5mm</b>			
<b>Series</b>	<b>Part No</b>	<b>Bore</b>	<b>Fixing</b>
8	AL00607	13/8Z6 - SPLINE	Q/RELEASE
8	AL00608	13/4Z6 - SPLINE	Q/RELEASE



8	AL00609	13/8Z21 - SPLINE	Q/RELEASE
8	AL00610	13/4Z20 - SPLINE	Q/RELEASE
8	AL00612	OUTER TUBE YOKE	R/PIN
8	AL00613	INNER TUBE YOKE	R/PIN
8	AL00632	ROLL PIN FOR TUBE YOKES	-
8	AL00614	11/2" - 3/8" KEYWAY	S/SCREW
8	AL00615	40mm - 10mm KEYWAY	S/SCREW
8	AL00611	13/8Z6 - SPLINE	C/BOLT
8	AL00617	13/4Z6 - SPLINE	C/BOLT
8	AL00618	13/8Z21 - SPLINE	C/BOLT
8	AL00619	13/4Z20 - SPLINE	C/BOLT
<b>Series 9 Yokes</b>			
<b>Bearing size 41 x 108.4</b>			
<b>Series</b>	<b>P/No</b>	<b>Bore</b>	<b>Fixing</b>
9	AL00639	1 3/4Z6 - SPLINE	Q/RELEASE
9	AL00640	1 3/4Z20 - SPLINE	Q/RELEASE

Splined quick release yoke.



Splined clamp bolt yoke.



Plain bore yoke with clamp bolt, keyway and set screws at 90 degrees.



Plain bore yoke with keyway and set screws



Tube end yoke.



## CROSS KIT - BEARINGS

PTO AND DRIVELINE COMPONENTS / SPARE PARTS / CROSS KIT - BEARINGS



Cross kit bearings are available for all common size PTO shafts and universal joints stocked by Aline Trading. New bearings are supplied with circlips and grease nipple.

Part No	Series	A	B
AL01339	AL01338 UNI	16	40
AL00001	T1	22	54
AL00333	T2	23.8	61.3
AL00335	T4	27	74.6
AL00339	T6	30.2	92
AL00345	T6 Wide angle	27 32	94 76
AL00342	T8	35	106.5
AL00383	T8 Wide Angle	36 32	89 110
AL00007	T9	41	108.4



**Cross kit**  
Bearing

## CLUTCH PARTS

PTO AND DRIVELINE COMPONENTS / SPARE PARTS / CLUTCH PARTS



Aline Trading Pty Ltd stock a range of spare parts for the Aksan range of friction clutches. These include, Replacement friction discs, clutch hubs, clutch springs and more. Please see below for details.

Clutch Friction Plates	
Part No	Size - OD x ID
AL00363	140 x 83
AL00364	153 x 91
AL00365	160 X 97



Clutch Hubs		
Part No	FITS	Bore
AL00346	BSD1 FRICTION O/RUN	13/8Z6 CB
AL00351	BS1-BSM1	13/8Z6 CB
AL00357	BS1-BSM1	11/4" PLAIN CB
AL00361	BS1-BSM1	13/8" PLAIN CB
AL00352	BS2-BSM2	13/8Z6 CB
AL00371	BS2-BSM2	13/8Z21 CB
AL00353	BS2-BSM2	13/4Z6 CB
AL00358	BS2-BSM2	13/4Z20 CB
AL00360	BS2-BSM2	11/2" PLAIN CB
AL00354	BS4-BSM4	13/8Z6 CB
AL00355	BS4-BSM4	13/4Z6 CB
AL00359	BS4-BSM4	13/4Z20 CB
AL00372	BS4-BSM4	13/8Z21 CB
AL00373	BSD3 FRICTION O/RUN	13/4Z20 CB
AL00375	BSD3 FRICTION O/RUN	13/8Z6 CB
AL00376	BSD3 FRICTION O/RUN	13/4Z6 CB
AL00377	BS5 - 6 PLATE	13/4Z20 CB
AL00378	BS5 - 6 PLATE	13/4Z6 CB

AL00373 - 13/4Z20 Friction Over Run hub. Shown below.



Clutch Springs	
Part No	Fits
AL00350	All friction clutches



Front Flange Plates		
Part No	Description	Suits
AL00367	13/8Z6 SHAFT FLANGE	BSM2 & BSM4
AL00368	13/4Z20 SHAFT FLANGE	BSM2 & BSM4
AL00616	T6 YOKE FLANGE	BS2
AL00341	T8 YOKE FLANGE	BS4

Friction Clutch Parts - Other		
Part No	Description	Fits
AL00628	Rear pressure plate	BS2 - BSM2 BS4 - BSM4
AL00369	Inner plates. 4mm	BS2 - BSM2 BS4 - BSM4
AL00370	Disc drive plate. Hex bore	BS4 - BSM4
AL01197	Centre locating ring.	BS2 - BSM2 BS4 - BSM4

Overrun Clutch Parts		
Part No	Description	Fits
AL00347	Repair Kit 4 springs - 4 drive keys	BSD1-3
AL02603	Bridge Clamp Plate	BSD1-2
AL02604	Bridge Clamp Plate	BSD - 3

## PTO COVERS AND CONES

PTO AND DRIVELINE COMPONENTS / SPARE PARTS / PTO COVERS AND CONES



The Safety cover on a PTO shaft is a highly important safety feature and must be checked regularly for damage. If excessive wear or damage is found the shaft should be put out of service until a replacement cover is fitted.

Aline Trading keep a range of covers in stock to suit our AKSAN PTO shafts. Each cover is supplied with bearings to suit your shaft. Our covers are supplied at maximum length and can be easily trimmed to suit your required length.

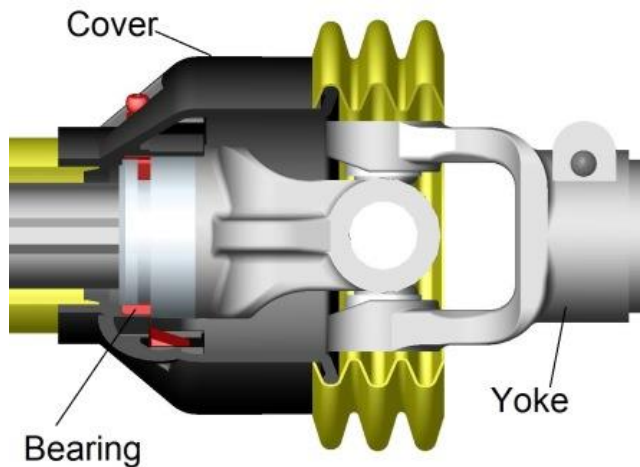
Complete PTO Covers.		
Part No	Series	Length X - X
AL00005	T1	610
AL00336	T2 & T4	960
AL00337	T2 & T4	1660
AL00344	T6 & T8	760
AL00338	T6 & T8	1160
AL00340	T6 & T8	1260
AL00343	T6 & T8	1660
AL02817	T6 WIDE ANGLE	960
AL00384	T8 WIDE ANGLE	1160
AL00006	T9	1610

AL02817 - T6 wide angle cover shown below.



PTO Safety Cover Bearing Sets	
Part No	Series
AL00334	T2
AL00568	T4
AL00606	T6
AL00605	T8

The PTO safety cover bearing is a split, clip style plastic bearing that connects the safety cover to the PTO shaft. Each shaft will use 2 bearings with different bore size.



PTO Machine Cones	
AL00327	Small
AL00330	Large with I/O

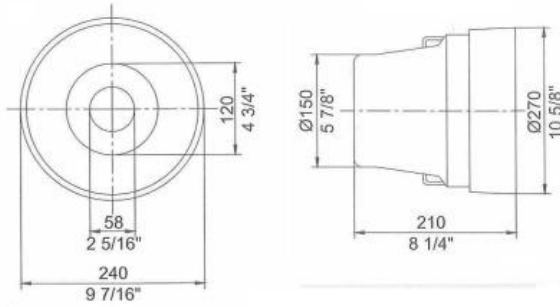
PTO Machine cones are designed to be attached to the machine / gearbox being driven by the PTO shaft to give full coverage of the moving joint. The covers are supplied undrilled so you can drill to suit the gearbox being used.

Aline Trading stock 2 standard sizes.

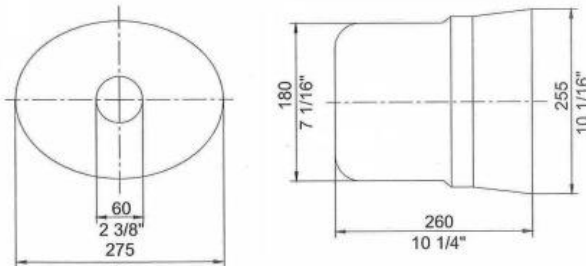
**AL00327** - Round . For small to medium sized PTO shafts used in a fixed position. i.e.; connecting between 2 fixed position gearboxes.

**AL00330** - Oval. Suits most sizes of PTO shafts. Used for input drive situations where various angles are encountered. I.e.; tractors to Slasher or Auger drive.

AL00327 shown below.



AL00330 Shown Below.



## FLEX COUPLING INSERTS

PTO AND DRIVELINE COMPONENTS / SPARE PARTS / FLEX COUPLING INSERTS



Replacement reinforced inserts to suit our range of flex couplings.

Replacement Inserts.	
Part No	Description
AL00122	6 hole insert with steel bushes. 160mm diam x 18mm thick



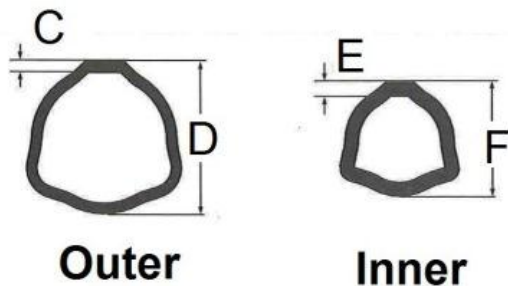
## TRANGLE TUBE

PTO AND DRIVELINE COMPONENTS / SPARE PARTS / TRANGLE TUBE



Replacement telescopic triangle series tubing is available for our larger shafts.  
Standard length 2m.

PART No	SERIES	DESCRIPTION				
		Item	C	D	E	F
AL00623	6	Inner tube	-	-	4	44.5
AL00622	6 & 8	Outer tube	4	54	-	-
AL00625	8	Inner tube	-	-	5.5	44.5



## Telescopic sections

## FLEX COUPLINGS

PTO AND DRIVELINE COMPONENTS / FLEX COUPLINGS



Flexible couplings are fixed joints that are used to connect two normally aligned shafts without any angle or distance variation. According to the application there are models with either single or double specially designed rubber discs which help the couplings to be used either as dampers in vibration shocks, knocks or short torque increases or to compensate for slight misalignments of the shafts being connected.



Part No	End 1	End 2	O/A & pin centres	Inserts
AL01251	13/8Z6 CB	13/8Z6 CB	322 mm	2
AL01252	13/8Z6 CB	13/8Z6 CB	180mm - 128mm	1
AL02823	13/8Z6 CB	13/8Z6 CB	202mm - 150mm	2

AL01252. Shown below.

Pin Centres = 128mm



AL02823 Shown Below.

Pin Centres = 150mm



AL01251 Shown below.



Replacement Inserts	
Part No	Description
AL00122	160mm Diam x 18mm thick. 6 Hole with steel inserts.



## ADAPTORS

PTO AND DRIVELINE COMPONENTS / ADAPTORS



Aline Trading P/L present a range of quality made Male / Female spline adaptors suitable for many applications.

SPLINED ADAPTORS				
PART No	MALE	FEMALE	LENGTH	NOTE
AL00303	13/8Z6	13/8 Z6	168	Clamp bolt
AL00304	13/8Z6	13/8 Z21	168	Clamp bolt
AL00305	13/4Z20	13/8Z21	168	Clamp bolt
AL00296	13/4Z20	13/8Z21	188	Clamp Bolt
AL00306	13/8Z6	13/4 Z20	168	Clamp bolt
AL00294	13/8Z6	25mm	120	Plain
AL00295	13/8Z6	30mm	120	Plain
AL00300	13/8Z6	25mm	149	Keyway
AL00301	13/8Z6	30 mm	149	Keyway
AL00302	13/8Z6	25mm	168	Plain Tapped.

NOTES: AL00300 & AL00301 have a plain bore female end with keyway and are suitable for use with our A10 & A8 gearboxes.

AL00294 & AL00295 are plain bore only no keyway. Also suited to welding.

AL00296 is specially designed to work with our AL00630 gearbox. 20mm longer spline.

AL00302 is supplied as a 25mm plain bore with 2x M8 tapped holes for grub screws. The 65mm diameter body is heavy enough to allow for further machining to suit your specialty needs.

AL00302 - 13/8Z6 male - 25 mm Plain bore. Suitable for machining out to larger diameter diameters.  
Body diameter = 65mm



AL00305 - 13/4Z20 male - 13/8Z21 female.



**AL00306** - 13/8Z6 male - 13/4Z20 female



**AL00300** - 13/8Z6 male - 25mm plain bore female with 8mm keyway.



## SPLINED SHAFTS AND SLEEVES

PTO AND DRIVELINE COMPONENTS / SPLINED SHAFTS AND SLEEVES



Aline Trading P/L present a selection of quality splined shafts and sleeves suitable for a wide range of Agricultural and Industrial applications.

### **Plain Sleeves.**

Our range of plain splined sleeves are weldable and are supplied in a zinc coated finish for corrosion resistance. They can be used as they are or you can further modify them to suit your needs.



SPLINED SLEEVES - PLAIN			
PART NO	I.D mm	O.D. mm	LENGTH mm
AL00772	13/8" Z6	48 mm	130 mm
AL00177	13/4" Z6	60 mm	100 mm
AL01692	13/4" Z20	63 mm	100 mm
AL00178	13/8" Z21	48 mm	100 mm
AL00291	25mm Keyed	49 mm	60 mm

**AL00291** 25mm Plain bore sleeve.  
8mm Keyway. 4 x M8 tapped holes.



**Clamp Bolt Sleeves.**

Our range of splined sleeves with interfering clamp bolts are weldable and feature a heavy duty twin bolt external clamp allowing for a strong / positive attachment to your equipment to prevent movement and wear during operation.



SPLINED SLEEVES - INTERFERING CLAMP BOLT				
PART No	SPLINE	O.D mm	LENGTH mm	
AL00293	13/8" Z21	50	100	
AL00297	13/8" Z6	50	100	
AL00298	13/4" Z6	63.5	100	
AL00299	13/4" Z20	63.5	100	

**SPLINED SHAFT.**

A Range of agricultural splined shaft is held in stock.  
 This includes fully splined shafting and single splined shafts.  
 See details below.

SPLINED SHAFTS - FULL LENGTH SPLINE		
PART NO	SPLINE	LENGTH mm
AL00777	13/8" Z6	500
AL00776	13/8" Z6	1000
AL00778	13/8" Z6	3000
AL01897	13/8" Z21	200
AL00770	13/4" Z6	500
AL00779	13/4" Z6	1000
AL00782	13/4" Z6	3000
AL00780	13/4" Z20	600

Below.  
 Fully splined shafts in 3m lengths.



Below.  
 P/No AL01897 13/8Z21 x 200mm splined shaft.



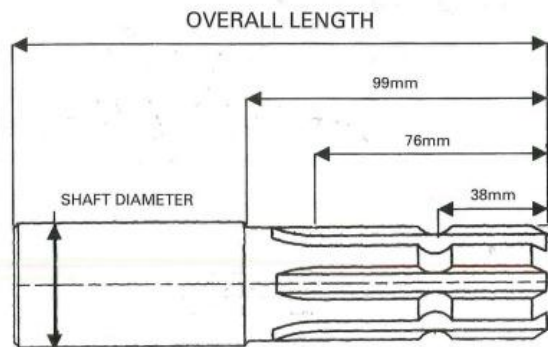
SPLINED SHAFTS - SINGLE OR DOUBLE ENDED				
PART No	O/A LENGTH MM	DIAMETER	SPLINE	ENDS
AL00775	600	13/8"	13/8" Z6	ONE
AL00771	2400	40mm	13/8"Z6	BOTH

AL00775 shown below is a single ended splined shaft that can be used to suit many applications. AL00775 is a stocked size.  
 Other shafts can be made to order with spline at one or both ends.



When ordering single or double end splined shafts please confirm.

1. Overall Length.
2. Shaft diameter
3. Single or double end spline.
4. Spline. 13/8Z6, 13/8Z21, 13/4Z20 or 13/4Z6
5. Material. Standard = Grade 1045 . Optional 4 140 High Tensile.



## FLEXIBLE DISC TYPE COUPLINGS

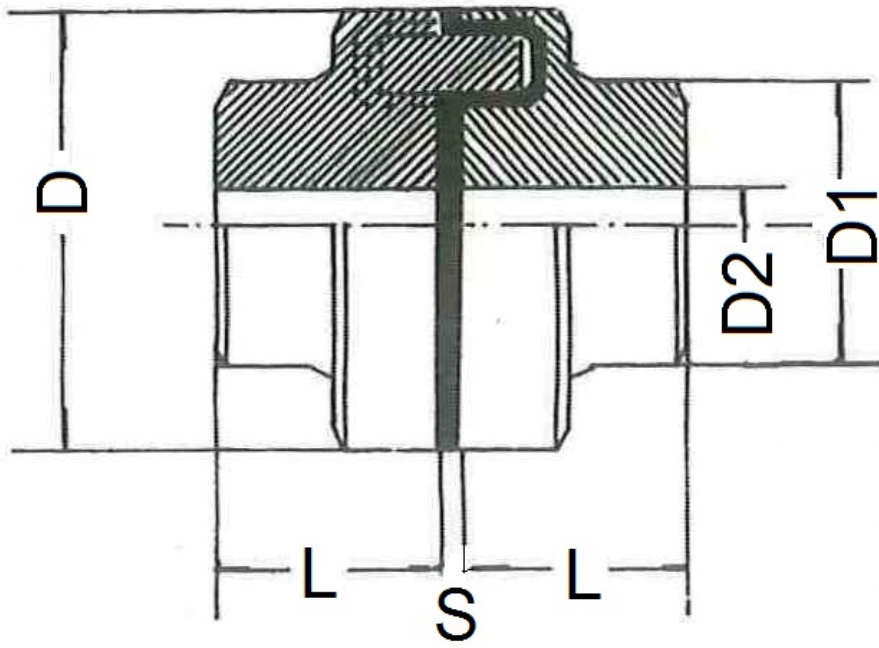
PTO AND DRIVELINE COMPONENTS / FLEXIBLE DISC TYPE COUPLINGS



Suitable for use on electrical or combustion driven units where some shaft misalignment may occur. Introduces limited backlash to absorb lateral, angular and axial forces while maintaining some rotational rigidity.



Part No	Model	Nominal Load		Max rpm	D2	D1	D	L	S
		Kg/m	KW/100rpm						
AL01498	PC67	2.2	.22	10000	9-28	46	67	30	2.5+5
AL01499	PC82	5.0	.51	8000	10-32	53	82	40	3.0+1
AL01500	PC97	10.5	1.07	7000	12-42	69	97	50	3.0+1



Replacement Inserts	
Part No	Fits
AL01347	PC67
AL01348	PC82
AL01349	PC97

## CHAIN SHAFT COUPLINGS

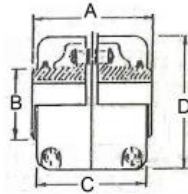
PTO AND DRIVELINE COMPONENTS / CHAIN SHAFT COUPLINGS



Chain couplings are ideal where high static or starting loads apply. They are easily disconnected and are composed of two hardened steel sprockets connected by duplex roller chain. Each coupling is supplied with an aluminium alloy casing.



Part No	Model	Bore		Dimensions				Weight
		Min	Max	A	B	C	D	Kg
AL01046	4016	15	30	79.4	50	75	92	1.8
AL01048	5016	18	40	99.7	64	87	110	3.25



Part No	Shaft Diam	Transmission Capacity KW						
		RPM						
		10	500	1000	1500	2500	3600	4800
AL01046	30mm	.41	8.85	15.3	21	31.9	43	54.9
AL01048	40mm	.78	16.8	28.9	39.9	60.6	81.6	-

KW x 1.34 = HP

## TURNTABLE BALL BEARINGS - SLEW RINGS

TURNTABLE BALL BEARINGS - SLEW RINGS



Aline Trading Pty Ltd proudly distributes the quality range of bearing products manufactured in Italy by La Leonessa.

La Leonessa was established as a manufacturer of turntable bearings for agriculture, and in 1970 it began to produce industrial slewing bearings (rings).

Since then the name La Leonessa has been synonymous with products suited to rotation, from the most simple to the most rigorous. They produce different types of industrial slewing bearings (rings) with rollers or balls and with external or internal gear or without gear in diameters up to 3 metres. They also produce Agricultural ball turntable bearings from 300 mm to 1100 mm diameter. La Leonessa have always been the worldwide leaders for this product.

For several decades their trademark has been a synonym for quality, reliability and attention to the demands of the market.

Right from the beginning their aim was to have the best references in every sector of application, thus their impact was immediately international, and continues to be so. Therefore, we are able to meet all your requirements. Innovations in both process and product allow La Leonessa to be a partner to refer to for the most demanding applications, because they use the most advanced technologies in the sector.

## TURNTABLE BALL BEARINGS. AGRICULTURAL

TURNTABLE BALL BEARINGS - SLEW RINGS / TURNTABLE BALL BEARINGS. AGRICULTURAL



### Applications and use of ball turntable bearings

Aline Trading's range of La Leonessa turntable ball bearings are used in many applications, including agricultural trailers, irrigation systems and airport luggage carriers.

In operation on trailers the ball turntable bearings transmit not only axial load, but also radial load and torque. In other applications they transmit mostly axial load. The turntable bearings in the L range are suitable for use on light vehicles with a speed of up to 25 Km/h Turntable bearings in



the N-P-T ranges can be used on vehicles with a speed of up to 40 Km/h. The following information includes the limit values of axial load capacity for a speed of 25 Km/h. For applications with speeds above 25 km/h and up to 40 km/h, the load capacity decreases. For applications with speeds of less than 25 km/h, the load capacity may increase up to a maximum of 40%, depending on the size & type of bearing.

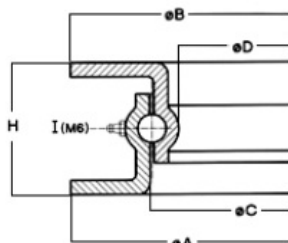
In these cases further technical information may be required to determine the acceptable load capacity of the turntable bearing. The values shown are valid for use on vehicles that circulate on the roads and under conditions of conventional transport.

**Construction of ball turntable bearings.**

The turntable basically consists of 2 flange rings which have a semi-circular shaped rolling track. The two rings are securely assembled by inserting steel ball rollers. The units are then thoroughly greased before prime painting and final inspection.

**Conditions and Supply of ball turntable bearings**

The turntable bearings are supplied with a protective coating of black rust-proofing paint, this is sufficient to adequately protect the product until the end use. The turntable bearings leave the factory already greased and have greasers on the outside. The turntable bearings do not have holes for fixing bolts.



Part No	Model	Dimensions.					Greaser I	Ball Diam mm	Unit Weight Kg	Thrust Load ton
		H	A	B	C	D				
AL02303	U01L030	55	298	293	220	200	1	12	5	0.5
AL02304	U01L040	55	400	400	320	300	1	12	8	0.75
AL02305	U01L050	55	500	500	420	400	1	12	10	1
AL02306	U01N060	65	600	600	516	490	2	14	18	1.7
AL02307	U01N065	65	650	650	568	543	2	14	20	1.7
AL02308	U01N070	65	700	700	620	594	2	14	22	2.2
AL02309	U01N075	65	750	750	668	640	2	14	24	2.2
AL02310	U01N080	65	800	800	718	690	2	14	26	2.5
AL02311	U01N085	65	850	850	767	742	2	14	28	3
AL02312	U01N090	65	900	900	820	793	2	14	30	3.5
AL02313	U01P090	80	890	895	795	766	2	16	36	5
AL02314	U01N100	65	1000	1000	920	895	2	14	33	4
AL02316	U01T100	90	1000	1008	889	856	2	20	60	8
AL02315	U01N105	65	1050	1050	970	945	2	14	35	4.5
AL02317	U01P110	80	1100	1105	1005	976	2	16	45	6.5
AL02319	U01T110	90	1100	1100	980	948	2	20	65	10



FITTING AND MAINTENANCE

TURNTABLE BALL BEARINGS - SLEW RINGS / TURNTABLE BALL BEARINGS. AGRICULTURAL / FITTING AND MAINTENANCE



Assembly of ball turntable bearings

Turntable bearings must be fixed to the structure by using bolts. For correct fixing of the turntable bearing, it is important that the supporting surfaces be as flat and rigid as possible. It should be ensured that the turntable bearing rests on the connecting structure with at least 50% of its surface and that the supporting areas are distributed symmetrically in regard to the direction of movement. Holes in line with the ball loading plug are not permitted; this plug may be recognised by the welding on the raceway of the external ring. The plug should be placed between 45 degrees and 90 degrees with regard to the direction of movement. To fix the turntable bearing, at least 8.8 quality bolts must be used. The size of the bolts and the recommended tightening torque values are indicated in the table.

The addition of suitable steel locating blocks (at least 4 per side), welded to the supporting structure, allows the bolts to discharge the radial thrust that occurs due to acceleration and deceleration. The ball turntable bearing must not be fixed to the structure by welding. It is advisable to carry out a second greasing before assembly.

It is very important that at no time the small manufactures plate on the outer circumference of the turn table is damaged during the drilling of the fixing holes. When fitting the turn table position the manufactures plate so it faces the direction of travel.

Bolts				
Type of turntable bearing	Minimum no. bolts	Type	Quality	Nut
L-300-400-500-600	4	M12	8.8 min.	Hexagonal or self-blocking
N-600-650-700-750	6	M12-M14		
N-800-850-900-950N-1000-1050	6	M14-M16		
P-900-1000-1100T-1000-1100	8			

Level of resistance according to DIN/ISO 898	8.8
Limit tensile strength Rpin N/mm <sup>2</sup>	640

DIN/ISO 13 Metric thread	Resisting section	Core section	Tensioning force	Assembly and tightening torque	
As	A3	Fn	Ms		
mm <sup>2</sup>	mm <sup>2</sup>	M	Nm	Kgm	
M12	84.3	76.2	38500	78	8
M14	115	105	53000	126	13
M16	157	144	72000	193	20

**Maintenance of ball turntable bearings**

It is good practise to carry out periodic lubrication of the turntable bearing. The frequency of greasing must be programmed according to working conditions, on average once a month. The operation of pumping new grease should be carried out until the grease leaks out of the fissure between the two rings. During the greasing operation, allow the turntable bearing to rotate.

Lithium grease designated with the marking EP2 or 2 by the leading manufacturers, may be used. For bolts, we advise that you carry out inspections, once a month and depending on use, on the tightening force of the screws, according to the values indicated in the table.

**WORM DRIVE SLEW RING**

TURNTABLE BALL BEARINGS - SLEW RINGS / WORM DRIVE SLEW RING

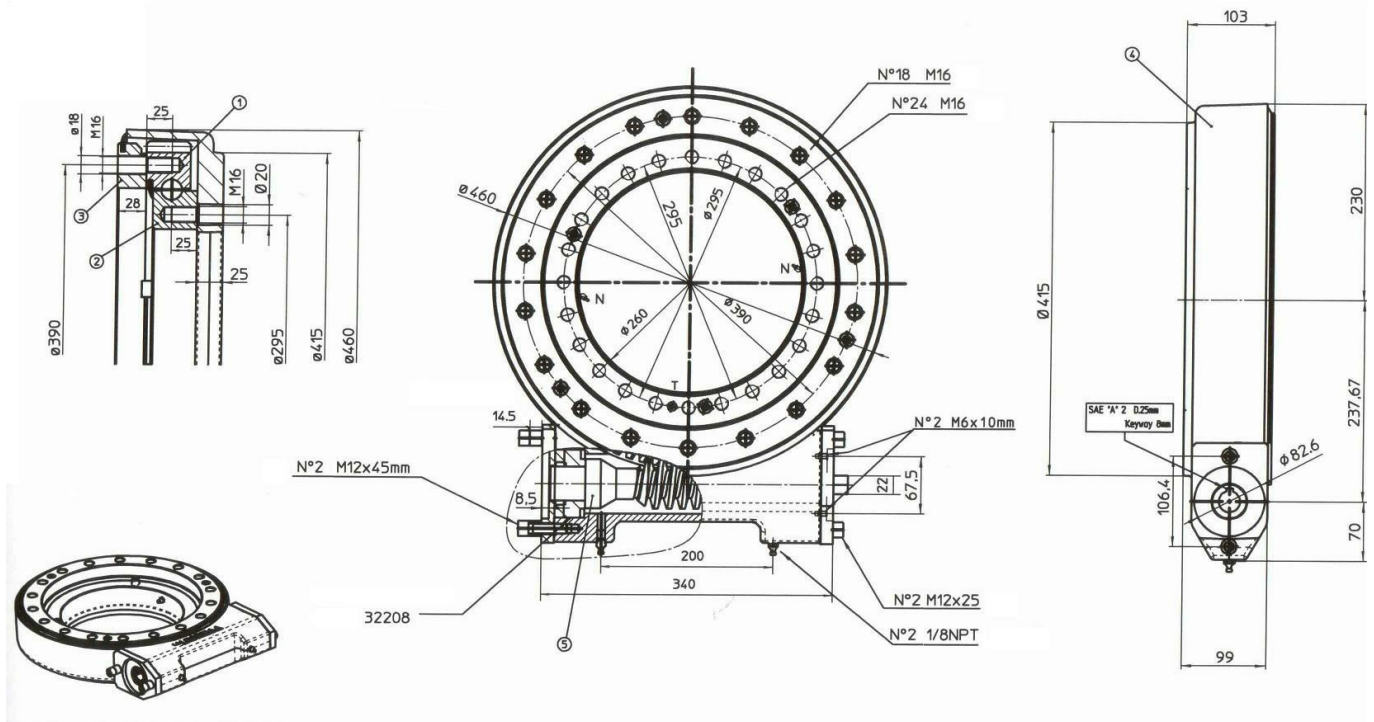


A Compact and economical solution, often used to substitute the traditional slewing ring/pinion assembly.



Specifications	
Part No	AL02320
Model	VE043AC11
Unit Weight:	50 kg
Module:	5
No. Teeth:	85
Ratio	85:1
Pitch Diameter:	427.34
No. of Worm Threads:	1
Helix Angle:	6 deg
Pressure Angle:	14 deg 30
Helix Direction:	Right hand
Maximum Output Torque at tooth:	250 daNm
Maximum output torque for short time:	370 daNm
Mounting holes (inner):	24 x M16
Mounting holes (outer):	18 x M16
Grease Points:	2 1/8-27NPT x 45 deg @ 180 deg

Materials	
1:	42CrMo4 Q&T
2:	42CrMo4 Normalised
3:	C45
4:	Al Si 11 Cu2Fe
5:	20Mn Cr5





## SLEW BEARINGS - FLANGED AND HEAVY

TURNTABLE BALL BEARINGS - SLEW RINGS / SLEW BEARINGS - FLANGED AND HEAVY



Aline Trading Pty Ltd supply to order a range of heavy duty and flanged slewing ring bearings from La Leonessa of Italy.

They are used in a wide range of industries, including Agriculture, Construction, Lifting & Handling, Process Industry, Power Generation, Marine and others.



## Slew Ring Bearings.

TURNTABLE BALL BEARINGS - SLEW RINGS / SLEW BEARINGS - FLANGED AND HEAVY / Slew Ring Bearings.



Aline Trading Pty Ltd supply to order, a range of heavy duty slewing ring bearings from La Leonessa of Italy. They are used in a wide range of applications, including stacker machines, cranes, excavators, access platforms, and forestry machinery and so on.

These slewing rings easily take axial and radial loads and range in size from 300mm to 3000mm diameter, in versions with external or internal gear or without gear. In addition, according to the type of load, slewing rings are available with 1 row of balls, 2 rows of balls and one row of rollers.

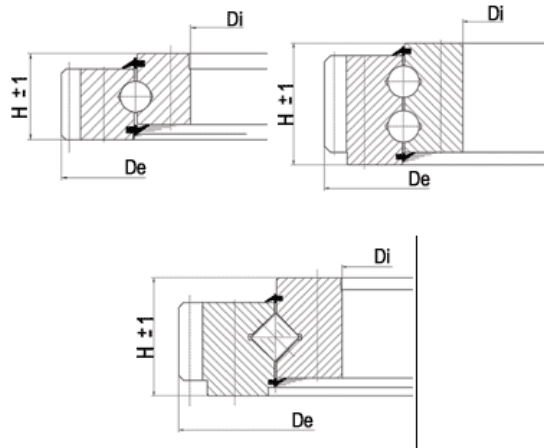
Materials are available according to requirements and in line with market standards.

Heavy duty slewing rings are available to order in numerous versions and dimensions.

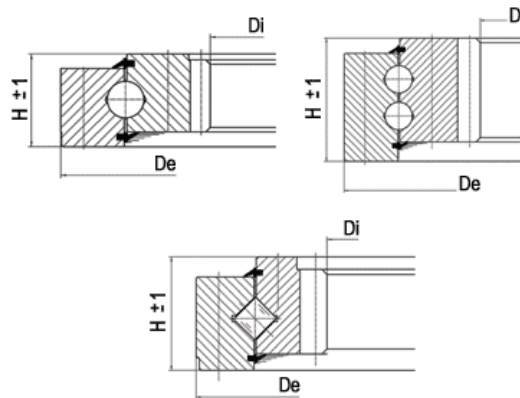
Please contact us with your specific requirements.



### Externally Geared Slew Rings



### Internally Geared Slew Rings



### Flanged Slew Bearings

TURNTABLE BALL BEARINGS - SLEW RINGS / SLEW BEARINGS - FLANGED AND HEAVY / Flanged Slew Bearings



Aline Trading Pty Ltd supplies to O.E.M order a range of flanged slew bearings from La Leonessa of Italy.

They are available in five styles and dimensions ranging from 498mm to 1198mm in diameter and are used in a wide range of agricultural and other applications.

Manufactured according to the highest industrial standards, the flanged series represent a natural extension of the classical product range, the distinguishing factor over nearly fifty years of La Leonessa history, built on high quality product designing and manufacturing.

Manufactured from forged or rolled rings, the flanged slewing bearings have no joints, thus optimizing the use of material and maximizing the characteristics of lightness and compactness of the product and of your application.

Below is a summary of the features, advantages and technical characteristics of the La Leonessa flanged slewing bearing series.

Please contact us with your specific requirements.

Features	Advantages
Weight reduction	Higher admitted payload
Compactness	Minimal space required, easy to assemble
Reliability	Long life, smooth rotation, low force to run
Strength	Suits harsh working conditions. dust, humidity, harsh environments

Technical Characteristics	
Profile	"U" & "Z" shape
Outer Diameter	From 498mm to 1198mm
Gear	External, internal and without
Bolting Pattern	Standard and customized
Raceway finishing	Induction hardened

Z Type without gear.



Z type with internal gear.



Z type with external gear.



U type without gear



U type with internal gear.



# HYDRAULIC CYLINDERS

HYDRAULIC CYLINDERS



## General Information.

Aline Trading P/L present a range of quality Italian made multi stage hydraulic cylinders designed for use on tipping trailers, ute backs and many other applications.

Our cylinders are made from hot-rolled tubes (without welding), having a maximum tensile stress  $R = N/mm^2 590$ , yield point  $R_s = N/mm^2 460$ . The last extension, on the contrary, is C 40 hot-rolled. The pressed cap and bottom disc are made with Fe 50 hot-pressed.

The external surface of all the extensions have a **chromium-plated** film applied with an approximate thickness of mm. 0,010 - 0,015, with a medium superficial ruggedness  $R_a = 0,15 - 0,20$ .

The extension guide is secured by delrin rings, for both the external and internal sliding.

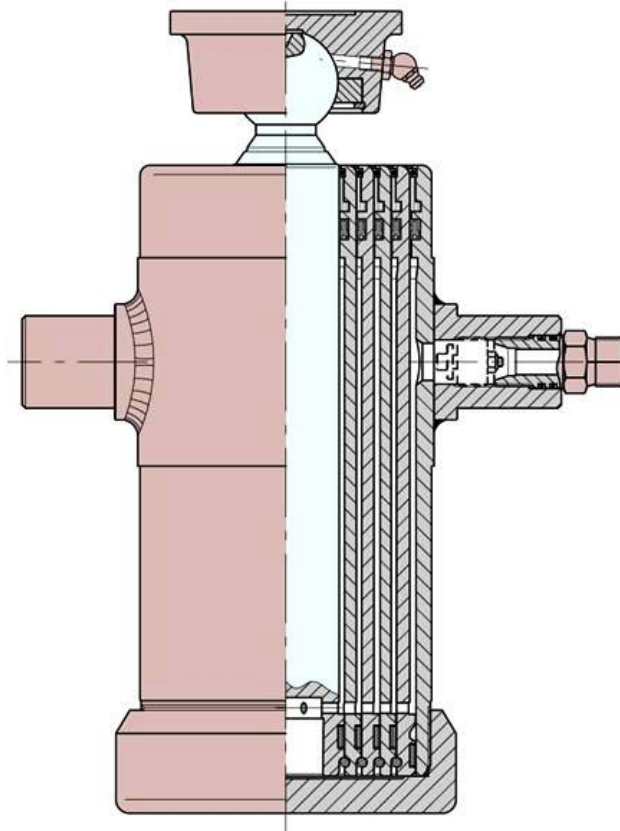
The seals used are highly resistant to permanent deformation and wear, with a working temperature from -40 Deg to +110 Deg C.

It is recommended, for better functioning and durability of the cylinder itself, to use hydraulic mineral oils and mount appropriate filters to prevent the possibility of infiltration of impurities inside the cylinder.

Rated pressure **160 Bar** reaching maximum point of 180 Bar.

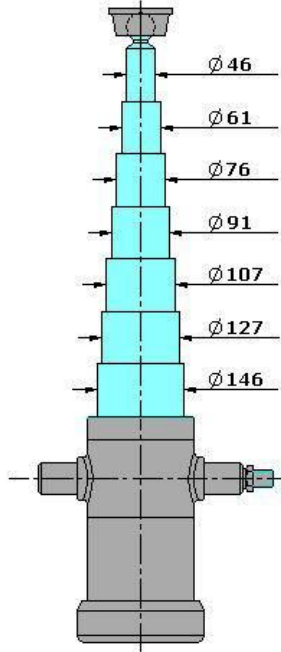
Absolutely avoid the cylinders reaching the end of their stroke and touching the body when in rest position. Over extending of the cylinders should be prevented by use of a physical, electric or hydraulic limiting device. Characteristics and dimensions are not binding.

Note: Sizes listed herein are our normal stocked range. Other sizes are available against volume OEM orders.



## Thrust in Kilograms for single extension

Rated pressure 160 Bar reaching maximum point of 180 Bar.



Pressure (Bar)	46	61	76	91	107	127	146
100	1.660	2.920	4.530	6.500	8.980	12.660	16.730
125	2.070	3.650	5.660	8.120	11.230	15.820	20.910
160	2.650	4.670	7.250	10.400	14.370	20.250	26.770

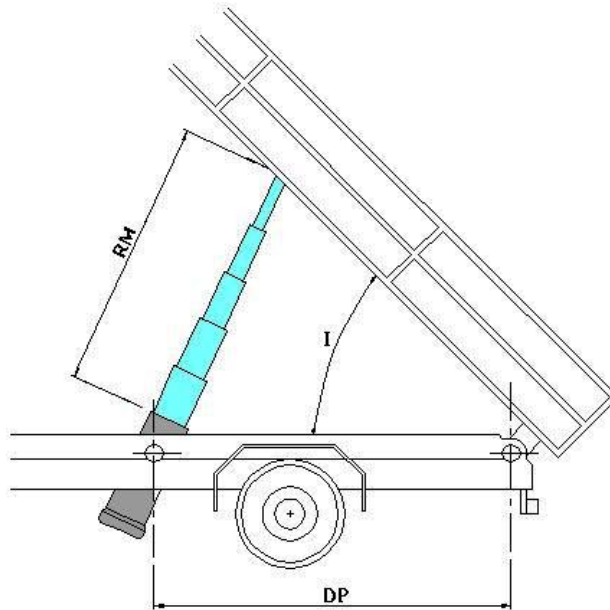
**Body tilting tables.**

RM = Jack stroke.

DP = Distance between pins in mm

I = Box tilting.

Note: Make sure that the cylinder does not bottom or top out and the box does not rest on it when in the home position.





Body tilting table based on the distance between pins and cylinder stroke.																							
Dimensions shown are the angles in Degrees.																							
DP/RM	480	500	600	680	700	800	850	900	950	1000	1050	1150	1200	1250	1300	1500	1700	1850	1900	2150	2300	2600	
800	-	-	44	50	52	60	-	-	-	-	-	-	-	-	-	-	-	-	-	-	-	-	-
900	-	-	-	44	45	53	60	-	-	-	-	-	-	-	-	-	-	-	-	-	-	-	-
1000	-	-	-	40	41	47	50	53	57	60	-	-	-	-	-	-	-	-	-	-	-	-	-
1100	-	-	-	-	-	43	45	48	51	54	57	-	-	-	-	-	-	-	-	-	-	-	-
1200	-	-	-	-	-	-	41	44	47	49	52	57	-	-	-	-	-	-	-	-	-	-	-
1300	-	-	-	-	-	-	-	40	43	45	48	52	55	58	-	-	-	-	-	-	-	-	-
1400	-	-	-	-	-	-	-	-	40	42	44	48	51	53	55	-	-	-	-	-	-	-	-
1500	-	-	-	-	-	-	-	-	-	-	41	45	47	49	51	60	-	-	-	-	-	-	-
1600	-	-	-	-	-	-	-	-	-	-	-	42	44	46	48	56	-	-	-	-	-	-	-
1700	-	-	-	-	-	-	-	-	-	-	-	-	41	43	45	52	60	-	-	-	-	-	-
1800	-	-	-	-	-	-	-	-	-	-	-	-	-	41	42	49	56	62	-	-	-	-	-
1900	-	-	-	-	-	-	-	-	-	-	-	-	-	40	46	53	58	60	-	-	-	-	-
2000	-	-	-	-	-	-	-	-	-	-	-	-	-	-	-	44	50	55	57	-	-	-	-
2100	-	-	-	-	-	-	-	-	-	-	-	-	-	-	-	42	48	52	54	62	-	-	-
2200	-	-	-	-	-	-	-	-	-	-	-	-	-	-	-	40	45	50	51	58	-	-	-
2300	-	-	-	-	-	-	-	-	-	-	-	-	-	-	-	-	43	47	49	56	60	-	-
2400	-	-	-	-	-	-	-	-	-	-	-	-	-	-	-	-	41	45	47	53	57	-	-
2500	-	-	-	-	-	-	-	-	-	-	-	-	-	-	-	-	40	44	45	51	55	-	-
2600	-	-	-	-	-	-	-	-	-	-	-	-	-	-	-	-	-	42	43	49	53	60	-
2700	-	-	-	-	-	-	-	-	-	-	-	-	-	-	-	-	-	40	41	47	50	58	-
2800	-	-	-	-	-	-	-	-	-	-	-	-	-	-	-	-	-	-	40	45	48	55	-
2900	-	-	-	-	-	-	-	-	-	-	-	-	-	-	-	-	-	-	-	44	47	53	-
3000	-	-	-	-	-	-	-	-	-	-	-	-	-	-	-	-	-	-	-	42	45	51	-

## BALL END TOP MOUNT CYLINDERS

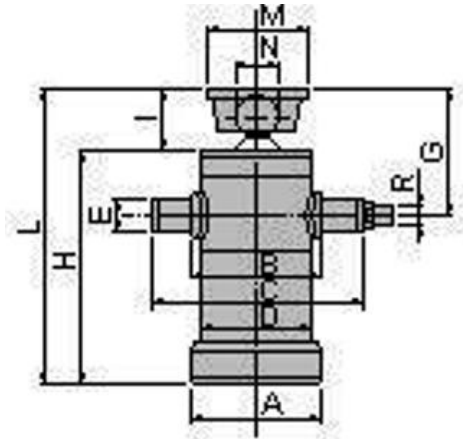
HYDRAULIC CYLINDERS / BALL END TOP MOUNT CYLINDERS



Ball end top mount cylinders.



Cylinder specifications.													
Part No	Stroke mm	No of Stages	Extension diameter in mm								Capacity @ 100 bar in Kg	Weight Kg	Capacity lt
			32	46	61	76	91	107	127	146			
AL00078	700	3	-	Y	Y	Y	-	-	-	-	3000	17	2.7
AL00076	680	4	-	Y	Y	Y	Y	-	-	-	5000	19	3.3
AL00097	1050	3	-	-	Y	Y	Y	-	-	-	5000	32	5.9
AL00098	1050	4	-	-	Y	Y	Y	Y	-	-	8000	28	5
AL00106	1250	6	Y	Y	Y	Y	Y	Y	-	-	5000	26	6.8
AL00112	1500	4	-	-	Y	Y	Y	Y	-	-	8000	38	10
AL00107	1500	6	-	-	Y	Y	Y	Y	Y	Y	10,000	56	16.4



Cylinder Dimensions.													
Part No	Dimensions of cylinders in mm												
	A	B	C	D	E	G	H	I	L	M	N	R	
AL00078	110	115	195	95	35	145	315	70	385	100	45	1/2"	
AL00076	130	135	215	114	35	145	250	70	320	100	45	1/2"	
AL00097	130	135	220	114	35	155	430	80	510	125	55	1/2"	
AL00098	130	135	215	114	40	145	310	70	410	100	45	1/2"	
AL00106	145	150	230	127	40	145	290	65	355	100	45	1/2"	
AL00112	145	150	230	127	40	155	455	80	535	115	55	1/2"	
AL00107	195	200	290	168	50	200	350	80	430	115	55	3/4"	

## HOLE END TOP MOUNT CYLINDERS

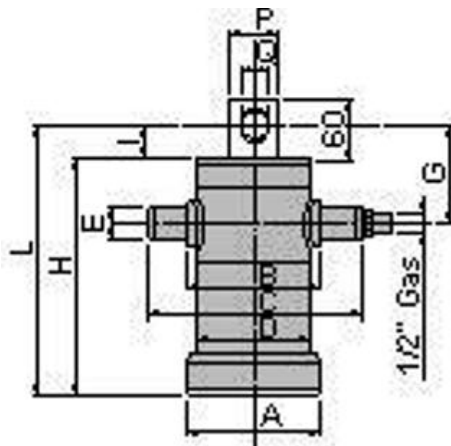
HYDRAULIC CYLINDERS / HOLE END TOP MOUNT CYLINDERS



Hole end top mount cylinders



Cylinder specifications.											
Part No	Stroke mm	No of Stages	Extension diameter in mm						Capaciy @ 100 bar in Kg	Weight Kg	Capacity lt
			46	61	76	91	107	127			
AL00099	1050	3	-	Y	Y	y	-	-	5000	33	5.8
AL00096	1300	4	-	Y	Y	Y	Y	-	8000	35	9.0



Cylinder Dimensions.											
Part No	Dimensions of cylinders in mm										
	A	B	C	D	E	G	H	I	L	P	Q
AL00099	130	135	215	114	35	108	430	33	463	60	31
AL00096	145	150	230	127	40	108	405	33	438	60	31

## HOLE END BOTTOM MOUNT CYLINDERS

HYDRAULIC CYLINDERS / HOLE END BOTTOM MOUNT CYLINDERS

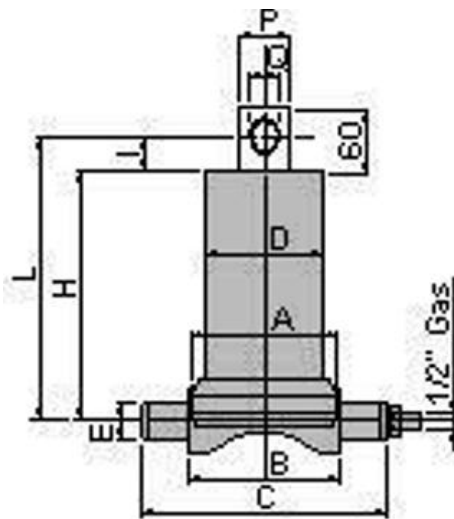


Hole end bottom mount cylinders.



**Cylinder specifications.**

Part No	Stroke mm	No of Stages	Extension diameter in mm							Capacity @ 100 bar in Kg	Weight Kg	Capacity lt
			46	61	76	91	107	127	146			
AL00087	700	3	Y	Y	Y	-	-	-	-	3000	17	2.7
AL00093	800	3	Y	Y	Y	-	-	-	-	3000	18	3
AL00100	1050	3	-	Y	Y	Y	-	-	-	5000	33	5.8
AL00103	1150	3	-	Y	Y	Y	-	-	-	5000	36	6.3
AL00105	1200	4	-	Y	Y	Y	Y	-	-	8000	35	8.1
AL00115	1500	4	-	Y	Y	Y	Y	-	-	8000	38	10
AL00120	1700	4	-	Y	Y	Y	Y	-	-	8000	45	11.3
AL00116	1500	5	-	Y	Y	Y	Y	Y	-	9000	51	12.2
AL00125	1850	5	-	Y	Y	Y	Y	Y	-	9000	59	14.9
AL00127	2150	5	-	Y	Y	Y	Y	Y	-	9000	62	17.3



**Cylinder Dimensions.**

Part No	Dimensions of cylinders in mm									
	A	B	C	D	E	H	I	L	P	Q
AL00087	110	115	195	95	45	315	36	351	45	26
AL00093	110	115	195	95	45	345	36	381	45	26
AL00100	130	135	215	114	45	425	33	458	60	31
AL00103	130	135	215	114	45	460	33	493	60	31
AL00105	145	150	230	127	45	380	33	413	60	31
AL00115	145	150	230	127	45	455	33	488	60	31
AL00120	145	150	230	127	45	505	33	538	60	31
AL00116	170	175	265	152	45	395	33	428	60	31
AL00125	170	175	265	152	45	465	33	498	60	31
AL00127	170	175	265	152	45	525	33	558	60	31

## CYLINDER MOUNTS

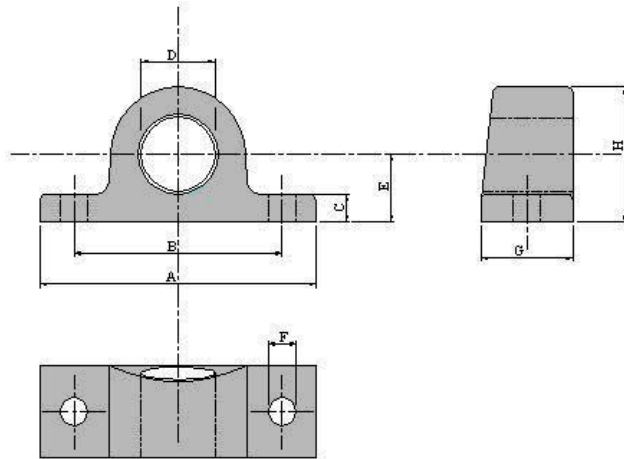
HYDRAULIC CYLINDERS / CYLINDER MOUNTS



### Bolt on cylinder mounts.



Part No	A	B	C	D	E	F	G	H	Kg
AL01827	130	95	12	35.5	30	13	40	56	0.9
AL01852	140	108	15	40.5	33	15	45	66	1.2
AL01860	140	108	15	45.5	33	15	45	66	1.2



## CUSTOM DESIGNS

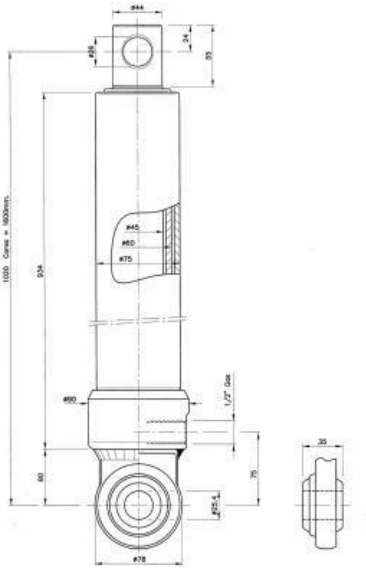
HYDRAULIC CYLINDERS / CUSTOM DESIGNS



Are you an OEM requiring a hydraulic cylinder with a specific design?

Aline Trading P/L can supply single or multi stage hydraulic cylinders made to suit your requirements. (Min quantities apply)

Please contact us today for a quotation.



## HYDRAULIC POWER PACKS

HYDRAULIC CYLINDERS / HYDRAULIC POWER PACKS



Aline Trading Pty Ltd.  
12V power Packs.

## 12V - 9.0 Lt TANK

HYDRAULIC CYLINDERS / HYDRAULIC POWER PACKS / 12V - 9.0 Lt TANK

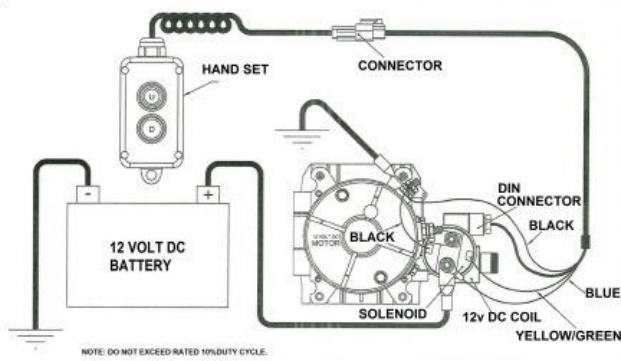
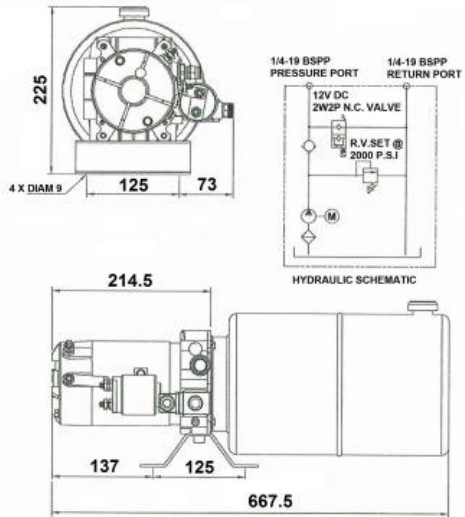


Aline Trading Pty Ltd.  
A quality single action 12V DC Power pack with 9.0 litre tank, Suitable for use with our range of hydraulic cylinders and many other applications. Supplied with hand controller and 3 metre lead.

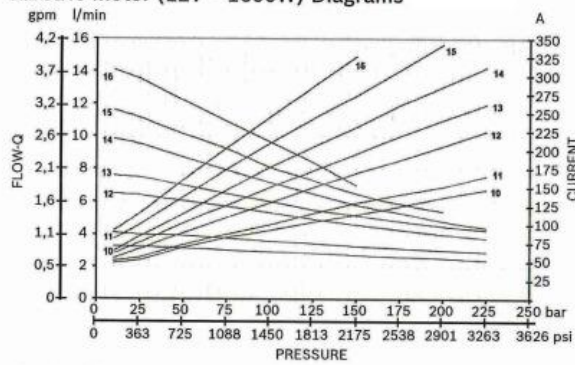
Part Number	Tank Size
AL01455	9.0 Lt



Note: The drawing below shows a round tank. The 9.6lt tank supplied is a rectangular tank, 203mm wide x 172mm high.



Electric Motor (12V - 1600W) Diagrams



## 12V - 16 Lt TANK

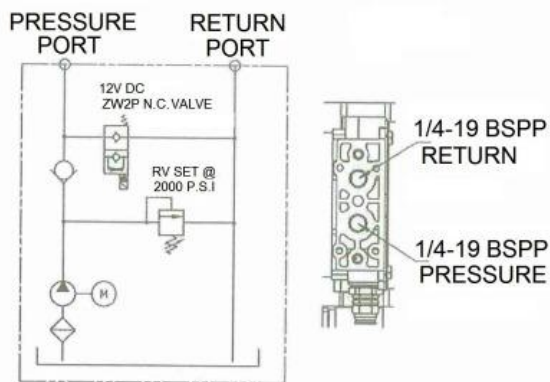
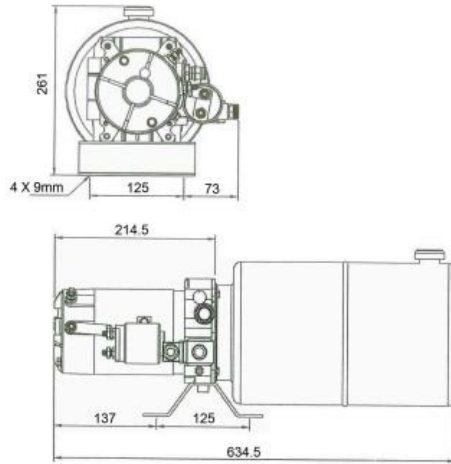
HYDRAULIC CYLINDERS / HYDRAULIC POWER PACKS / 12V - 16 Lt TANK



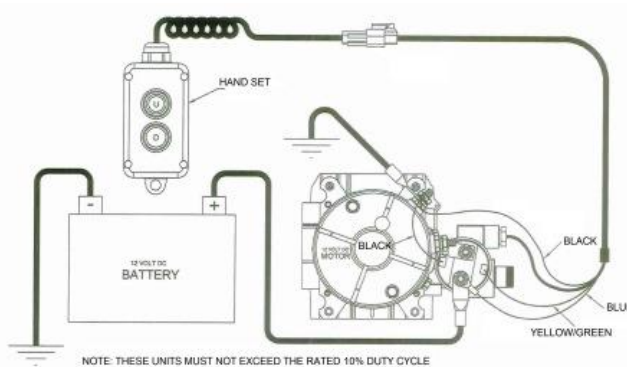
Aline Trading Pty Ltd.

A quality single action 12V DC power pack with 16 litre tank, suitable for use with our range of hydraulic cylinders and other applications. Supplied with hand controller and 3m lead.

Part Number	Tank Size
AL01456	16 Lt



HYDRAULIC SCHEMATIC



**HAND - 7 Lt TANK**

HYDRAULIC CYLINDERS / HYDRAULIC POWER PACKS / HAND - 7 Lt TANK



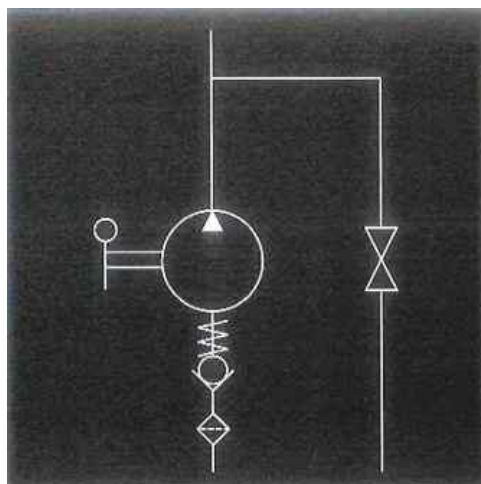
Aline Trading Pty Ltd  
 A quality double acting hand pump with 7 lt steel tank for single acting cylinders.





**SPECIFICATIONS**

Part Number	AL00117
Displacement/stroke	45 cc
Pressure Optimal	80 BAR
Handle force @ 80 BAR	250N
Pressure Max	280 BAR
Handle force at 280 BAR	900N
Dry weight incl handle	9.3 KG
Oil Tank Capacity.	7 Lt
O/A Height	450 mm
Mount Holes.	90mm H x 195mm W
Handle length	600 mm
Pump body	Cast Iron - black
Piston coating.	Niploy
Externals incl handle	White zinc plated.
Tank	Metal 7 lt - Black



**HJ600 HYDRAULIC JACK**

HYDRAULIC CYLINDERS / HJ600 HYDRAULIC JACK



**Single acting hydraulic jack**

Aline trading P/L presents a quality made single acting hydraulic jack suitable for numerous applications including engine lifters, ute jibs, auger height adjusters, conveyor height adjusters and much more.



Specifications	
Model	HJ600
Part Number	AL01335
Lift capacity	8000 Kg
Dual pumping action.	Faster lift action
Hard chromed piston.	Rust prevention.
Stroke	500mm
closed length eye - eye	630mm
Closed length o/all	670mm
Mount holes top and bottom	Suits 16mm pin
Piston diameter	34mm
Unit weight	15kg

## JOCKEY WHEELS AND PARKING JACKS



JOCKEY WHEELS AND PARKING JACKS

Aline Trading P/L present a comprehensive range of quality made mechanical parking jacks and jockey wheels suitable for a wide range of trailers and farm equipment. We also offer a range of hydraulic parking jacks suitable for larger agricultural and Industrial equipment. The well known and respected SIMOL range of jacks from Italy form core of our range and is supplemented by our own Aline range of products. Please contact us today with your enquiry.

### JOCKEY WHEELS

JOCKEY WHEELS AND PARKING JACKS / JOCKEY WHEELS



Aline Trading P/L present a comprehensive range of quality made jockey wheels suitable for a wide range of trailers and farm equipment. Please contact us today with your enquiry.

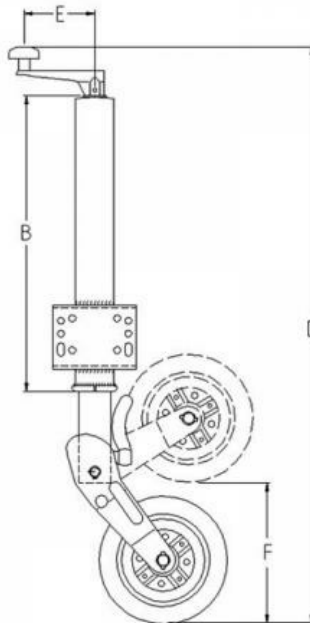
### AL00714 JOCKEY WHEEL 250 Kg AUTO FOLD

JOCKEY WHEELS AND PARKING JACKS / JOCKEY WHEELS / AL00714 JOCKEY WHEEL 250 Kg AUTO FOLD



The AL000714 is a quality Italian made product with a rubber tyre on steel wheel, designed for agricultural and automotive applications. This model features a steel wheel with rubber tyre and automatic lift and lock system. New model with bracket shown.

<b>Part number</b>	AL00714
<b>Model</b>	AC296 S
<b>Wheel size Diameter x Width</b>	200mm x 60mm rubber on steel
<b>Outer tube size and shape</b>	60 mm round
<b>Static load rating in Kg</b>	250 Kg
<b>Screw stroke in mm +/- 10mm</b>	185 mm
<b>B</b>	460 mm
<b>D</b>	860 mm
<b>E</b>	110 mm
<b>F</b>	270 mm
<b>Unit Weight</b>	9 Kg
<b>Winding method</b>	top wind



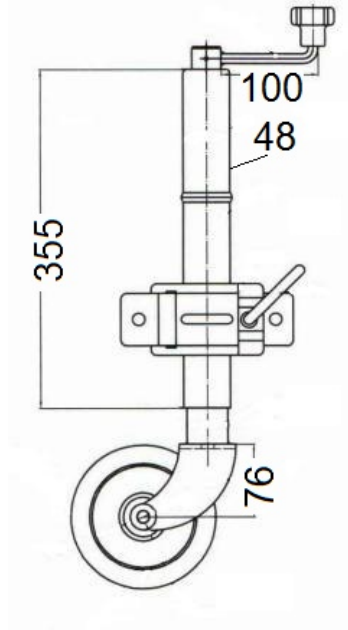
### AL01354 JOCKEY WHEEL 350 Kg

JOCKEY WHEELS AND PARKING JACKS / JOCKEY WHEELS / AL01354 JOCKEY WHEEL 350 Kg



The AL01354 or (JW1) jockey wheel is the basic clamp on jockey wheel with rubber tyre used on most small trailers in Australia. Supplied with clamp.

<b>Part number</b>	AL01354
<b>Model</b>	JW1
<b>Wheel size Diameter x Width</b>	140 x 45 solid rubber
<b>Outer tube size and shape</b>	48 mm round
<b>Static load rating in Kg</b>	350 Kg
<b>Screw stroke in mm +/- 10mm</b>	240mm
<b>Unit Weight</b>	4.9 Kg
<b>Winding method</b>	Top wind
<b>Mount</b>	Clamp. Bolt or weld on
<b>Finish</b>	Zinc plated



### AL01357 JOCKEY WHEEL 455Kg

JOCKEY WHEELS AND PARKING JACKS / JOCKEY WHEELS / AL01357 JOCKEY WHEEL 455Kg



The AL01357 swivel mount jockey wheel is a very popular choice for smaller trailers and allows for easy retraction of the wheel with minimal winding.

The swivel mount also ensures the jockey wheel is kept secure with the trailer.

<b>Part number</b>	AL01357
<b>Model</b>	JW2
<b>Wheel size Diameter x Width</b>	140mm x 45mm rubber
<b>Outer tube size and shape</b>	50mm round
<b>Static load rating in Kg</b>	455 Kg
<b>Screw stroke in mm +/- 10mm</b>	240 mm
<b>Unit Weight</b>	5.8 Kg
<b>Winding method</b>	Top wind
<b>Mount</b>	Swivel - Bolt or weld on
<b>Finish</b>	Zinc plated.
<b>Ground to centre of mount closed.</b>	305mm
<b>OPTIONAL U BOLTS TO SUIT</b>	
<b>75mm drawbar</b>	AL01350
<b>100mm drawbar</b>	AL01351



### AL02443 JOCKEY WHEEL 455 KG

JOCKEY WHEELS AND PARKING JACKS / JOCKEY WHEELS / AL02443 JOCKEY WHEEL 455 KG



The AL02443 swivel mount jockey wheel is a very popular choice for larger tandem style trailers and allows for easy retraction of the wheel with minimal winding.

<b>Part number</b>	AL02443
<b>Model</b>	JW8
<b>Wheel size Diameter x Width</b>	200mm x 50mm rubber
<b>Outer tube size and shape</b>	57mm round
<b>Static load rating in Kg</b>	455 Kg
<b>Screw stroke in mm +/- 10mm</b>	240 mm
<b>Unit Weight</b>	8.9 Kg
<b>Winding method</b>	Top wind
<b>Mount</b>	Swivel - Bolt or weld on
<b>Finish</b>	Zinc plated.
<b>Ground to centre of mount closed.</b>	350mm
<b>OPTIONAL U BOLTS TO SUIT</b>	
<b>75mm drawbar</b>	AL01350
<b>100mm drawbar</b>	AL01351



**AL02444 JOCKEY WHEEL 455kg**

JOCKEY WHEELS AND PARKING JACKS / JOCKEY WHEELS / AL02444 JOCKEY WHEEL 455kg



The AL02444 side wind jockey wheel features 4 position height adjustment and is ideal for busy drawbars where it is difficult to operate a top wind jockey wheel.

Supplied with clamp.

<b>Part number</b>	AL02444
<b>Model</b>	JW8CL
<b>Wheel size Diameter x Width</b>	200mm x 50mm rubber
<b>Outer tube size and shape</b>	51mm round
<b>Static load rating in Kg</b>	455 Kg
<b>Screw stroke in mm +/- 10mm</b>	260 mm
<b>Unit Weight</b>	7.0 Kg
<b>Winding method</b>	Side wind
<b>Mount</b>	Clamp - 4 positions@ 85mm centres
<b>Finish</b>	Zinc plated.
<b>Ground to centre of 1st mount rib.</b>	325mm



## AL02445 JOCKEY WHEEL 455 KG

JOCKEY WHEELS AND PARKING JACKS / JOCKEY WHEELS / AL02445 JOCKEY WHEEL 455 KG



The AL02445 jockey wheel is ideal for use on campers and trailers requiring a wider tyre for floatation with its 250mm x 90mm "Pneumatic Look" solid tyre.

<b>Part number</b>	AL02445
<b>Model</b>	JWP10
<b>Wheel size Diameter x Width</b>	250mm x 90mm rubber
<b>Outer tube size and shape</b>	57mm round
<b>Static load rating in Kg</b>	455 Kg
<b>Screw stroke in mm +/- 10mm</b>	240 mm
<b>Unit Weight</b>	12 Kg
<b>Winding method</b>	Top wind
<b>Mount</b>	Swivel - Bolt or weld on
<b>Finish</b>	Zinc plated.
<b>Ground to centre of mount closed.</b>	430mm
<b>OPTIONAL U BOLTS TO SUIT</b>	
<b>75mm drawbar</b>	AL01350
<b>100mm drawbar</b>	AL01351



## AL01359 JOCKEY WHEEL 500Kg

JOCKEY WHEELS AND PARKING JACKS / JOCKEY WHEELS / AL01359 JOCKEY WHEEL 500Kg



The AL01359 is a side wind swivel mount jockey wheel designed for use in tight locations where a normal top wind jack will not fit. Locations with limited space like trailers, campers or caravans with gas bottles or tool boxes mounted on the draw bar restricting the space to wind a conventional jockey wheel. The side wind allows for clear movement and the gearbox reduces the winding force required to raise the drawbar.

<b>Part number</b>	AL01359
<b>Model</b>	JW3
<b>Wheel size Diameter x Width</b>	150mm x 50mm
<b>Outer tube size and shape</b>	48 mm round
<b>Static load rating in Kg</b>	500 Kg
<b>Screw stroke in mm +/- 10mm</b>	225 mm
<b>Unit Weight</b>	7.5 Kg
<b>Winding method</b>	Side wind
<b>Mount</b>	Swivel. Bolt or weld on
<b>Finish</b>	Zinc plated



### AL01373 JOCKEY WHEEL 700 Kg

JOCKEY WHEELS AND PARKING JACKS / JOCKEY WHEELS / AL01373 JOCKEY WHEEL 700 Kg

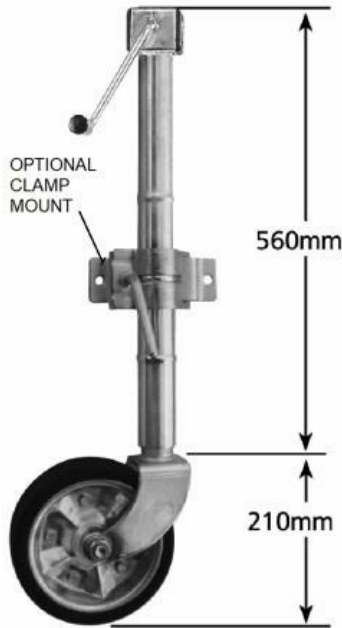


The AL01373 extra height side winding jockey wheel features 4 height adjustments and is ideal as an upgrade for your caravan or camper. The body size matches most stock jockey wheels and will fit the existing clamp style mount on your van without any modifications. The side winding handle also helps on busy draw bars with limited space.

Photo shows optional calmp mount.

<b>Part number</b>	AL1373
<b>Model</b>	JWSW-4ZEH
<b>Wheel size</b>	200mm x 55mm rubber tyre on Zinc Wheel with roller bearings.
<b>Outer tube</b>	48mm round
<b>Static load rating</b>	700 Kg
<b>Screw stroke in mm</b>	225 mm +/- 10mm
<b>Unit Weight</b>	8.6 Kg
<b>Winding method</b>	Side wind
<b>Mount</b>	Clamp - 4 positions @ 80mm centres
<b>Finish</b>	Zinc plated.
<b>Ground to centre of 1st mount rib.</b>	330mm





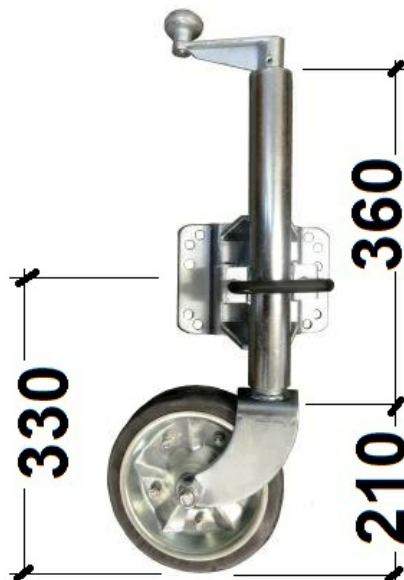
### AL01353 JOCKEY WHEEL 750 Kg

JOCKEY WHEELS AND PARKING JACKS / JOCKEY WHEELS / AL01353 JOCKEY WHEEL 750 Kg



The AL01353 jockey wheel offers increased capacity with a heavy duty locking pin swivel bracket and an 8" x 2" tyre with a zinc plated steel centre and roller bearings.

<b>Part number</b>	AL01353
<b>Model</b>	JW4ZUBHD
<b>Tyre size</b>	200 mm x 55 mm
<b>Static load rating in Kg</b>	750 Kg
<b>Screw stroke in mm +/- 10mm</b>	225 mm
<b>Unit Weight</b>	9.6 Kg
<b>Winding method</b>	Top wind
<b>Mount</b>	Swivel - Bolt on or weld
<b>Finish</b>	Zinc plated.
<b>OPTIONAL U BOLTS TO SUIT</b>	
<b>75mm drawbar</b>	AL01350
<b>100mm drawbar</b>	AL01351



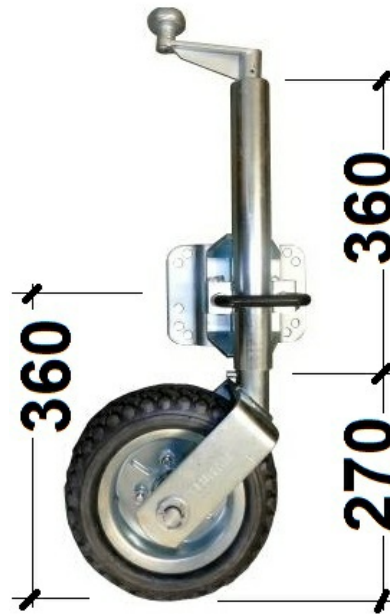
## AL01352 JOCKEY WHEEL 1000 Kg

JOCKEY WHEELS AND PARKING JACKS / JOCKEY WHEELS / AL01352 JOCKEY WHEEL 1000 Kg



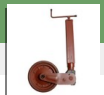
The AL01352 jockey wheel offers increased capacity with a heavy duty locking pin swivel bracket, heavy duty winding handle and thrust bearing and a 4.10/3.50x4 (10") pneumatic Look solid cushion tyre with a zinc plated steel centre and bronze bush bore.

<b>Part number</b>	AL01352
<b>Model</b>	JW11UBHD
<b>Tyre Size</b>	4.10/3.50x4 (10")
<b>Static load rating in Kg</b>	1000 Kg
<b>Screw stroke in mm +/- 10mm</b>	225 mm
<b>Unit Weight</b>	13 Kg
<b>Winding method</b>	Top wind
<b>Mount</b>	Swivel - Bolt on or weld
<b>Finish</b>	Zinc plated.
<b>OPTIONAL U BOLTS TO SUIT</b>	
<b>75mm drawbar</b>	AL01350
<b>100mm drawbar</b>	AL01351



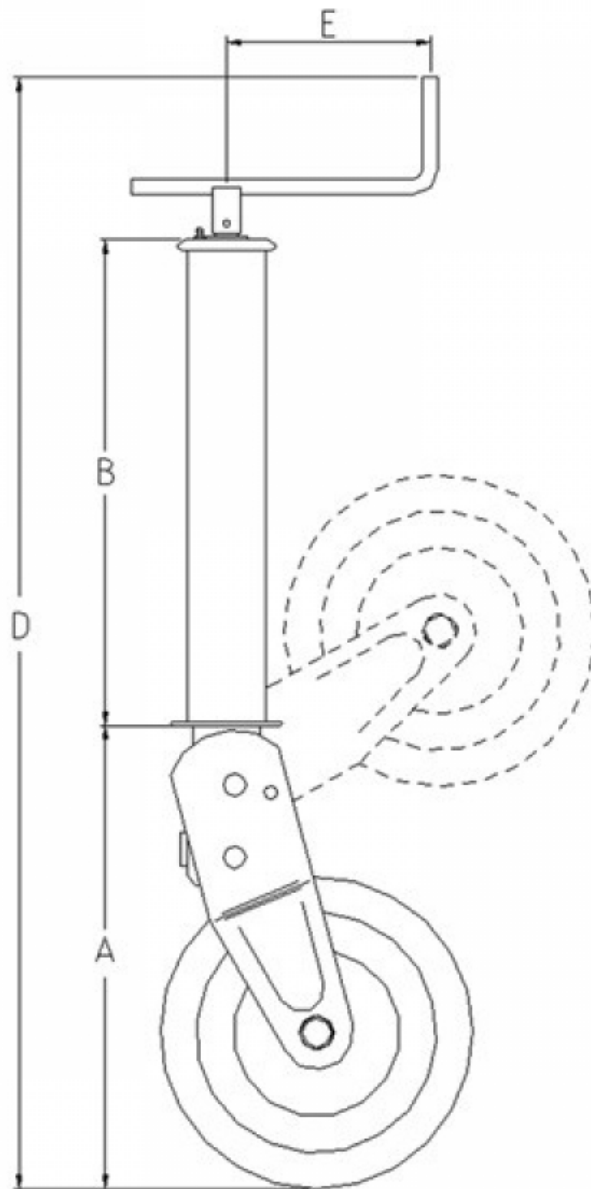
## AL00624 JOCKEY WHEEL 1000 Kg AUTO FOLDING

JOCKEY WHEELS AND PARKING JACKS / JOCKEY WHEELS / AL00624 JOCKEY WHEEL 1000 Kg AUTO FOLDING



The AL000624 is a quality Italian made product with a rubber tyre on steel wheel, designed for agricultural and industrial applications. This model features a steel wheel with rubber tyre and self acting turn over and locking system.

<b>Part number</b>	AL00624
<b>Model</b>	A115
<b>Wheel size Diameter x Width</b>	280mm x 65mm rubber/steel
<b>Outer tube size and shape</b>	70 mm Square
<b>Static load rating in Kg</b>	1000 Kg
<b>Screw stroke in mm +/- 10mm</b>	230 mm
<b>A</b>	490 mm
<b>B</b>	460 mm
<b>D closed</b>	1105 mm
<b>E</b>	185 mm
<b>Unit Weight</b>	16.3 Kg
<b>Winding method</b>	top wind
<b>Finish</b>	prime paint



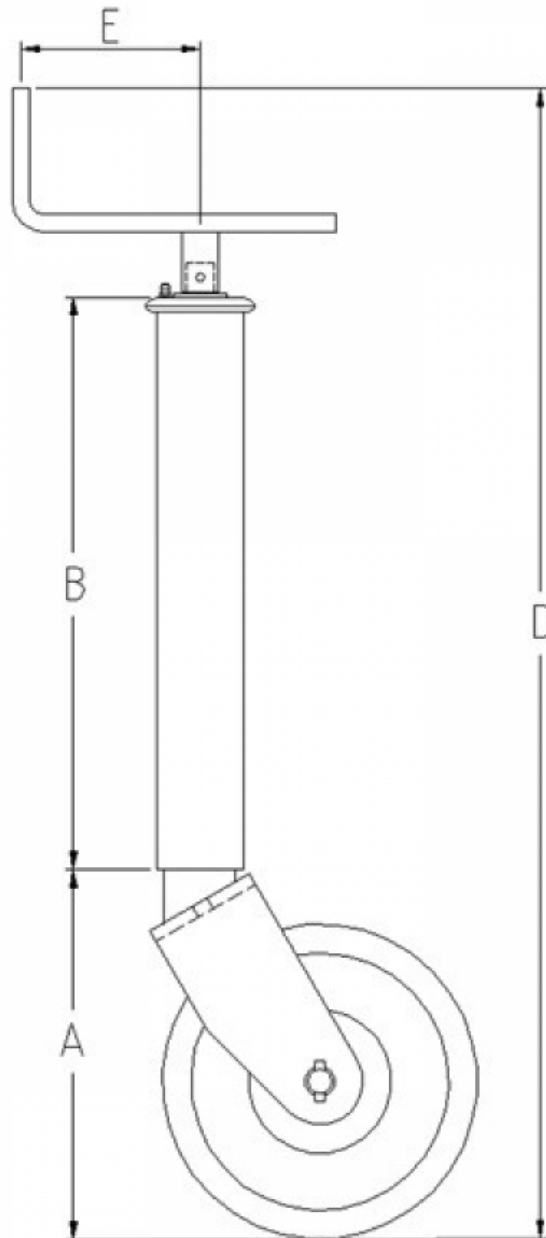
### AL02775 JOCKEY WHEEL 1000 Kg

JOCKEY WHEELS AND PARKING JACKS / JOCKEY WHEELS / AL02775 JOCKEY WHEEL 1000 Kg



The AL02775 is a quality Italian made product with a steel wheel, designed for agricultural and industrial applications

<b>Part number</b>	AL2775
<b>Model</b>	FO 270
<b>Wheel size Diameter x Width</b>	275mm x 70mm steel
<b>Outer tube size and shape</b>	70mm round
<b>Static load rating in Kg</b>	1000 Kg
<b>Screw stroke in mm +/- 10mm</b>	300mm
<b>A</b>	305mm
<b>B</b>	460mm
<b>D closed</b>	910mm
<b>E</b>	130mm
<b>Unit Weight</b>	12.5Kg
<b>Winding method</b>	Top wind



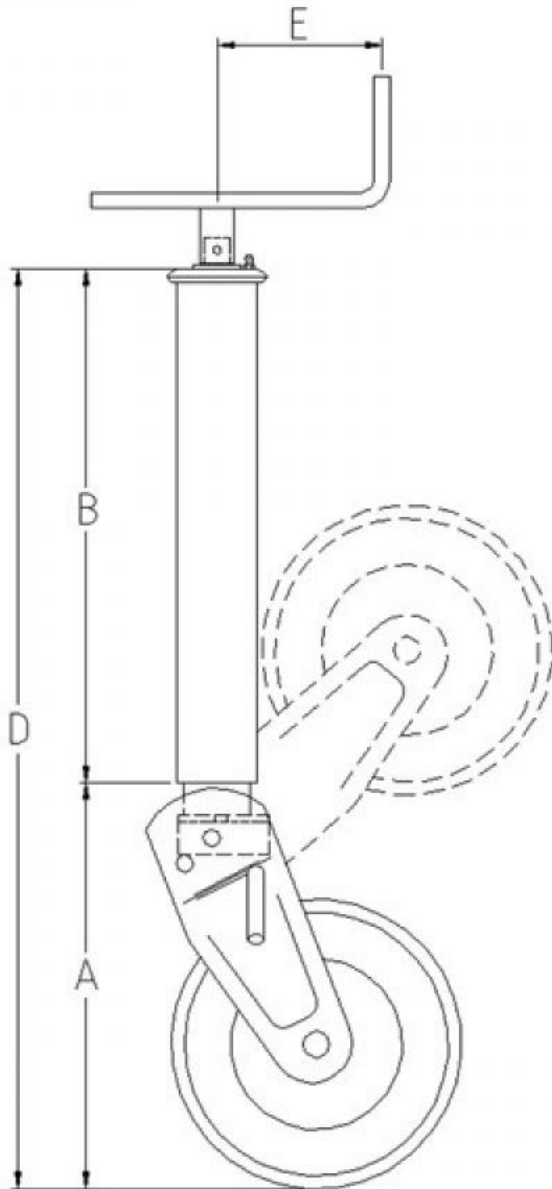
### AL01698 JOCKEY WHEEL 1000 Kg FOLDING

JOCKEY WHEELS AND PARKING JACKS / JOCKEY WHEELS / AL01698 JOCKEY WHEEL 1000 Kg FOLDING



The AL01698 is a quality Italian made product with a steel wheel, designed for agricultural and industrial applications. This model features a steel wheel with manual turn over feature and locking pin to gain additional ground clearance once the load is removed

<b>Part number</b>	AL01698
<b>Model</b>	S126
<b>Wheel size Diameter x Width</b>	310mm x 90mm steel
<b>Outer tube size and shape</b>	70mm square
<b>Static load rating in Kg</b>	1000 kg
<b>Screw stroke in mm +/- 10mm</b>	300 mm
<b>A</b>	395 mm
<b>B</b>	460 mm
<b>D closed</b>	1010 mm
<b>E</b>	185 mm
<b>Unit Weight</b>	17.5 Kg
<b>Winding method</b>	top wind



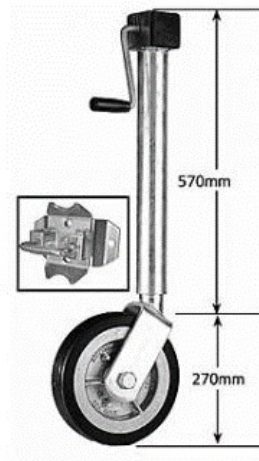
### AL01358 JOCKEY WHEEL 1250 Kg

JOCKEY WHEELS AND PARKING JACKS / JOCKEY WHEELS / AL01358 JOCKEY WHEEL 1250 Kg



The AL01358 is an extra heavy duty side wind, swivel jockey wheel. It is supplied with a heavy duty pin locking swivel bracket which is supplied loose.

<b>Part number</b>	AL01358
<b>Model</b>	JWSW-8
<b>Tyre size</b>	250 mm x 50 mm - Alloy centre.
<b>Static load rating in Kg</b>	1250 Kg
<b>Screw stroke in mm +/- 10mm</b>	225 mm
<b>Unit Weight</b>	18 Kg
<b>Winding method</b>	Side wind
<b>Mount</b>	Swivel - Bracket supplied loose.
<b>Finish</b>	Zinc plated.



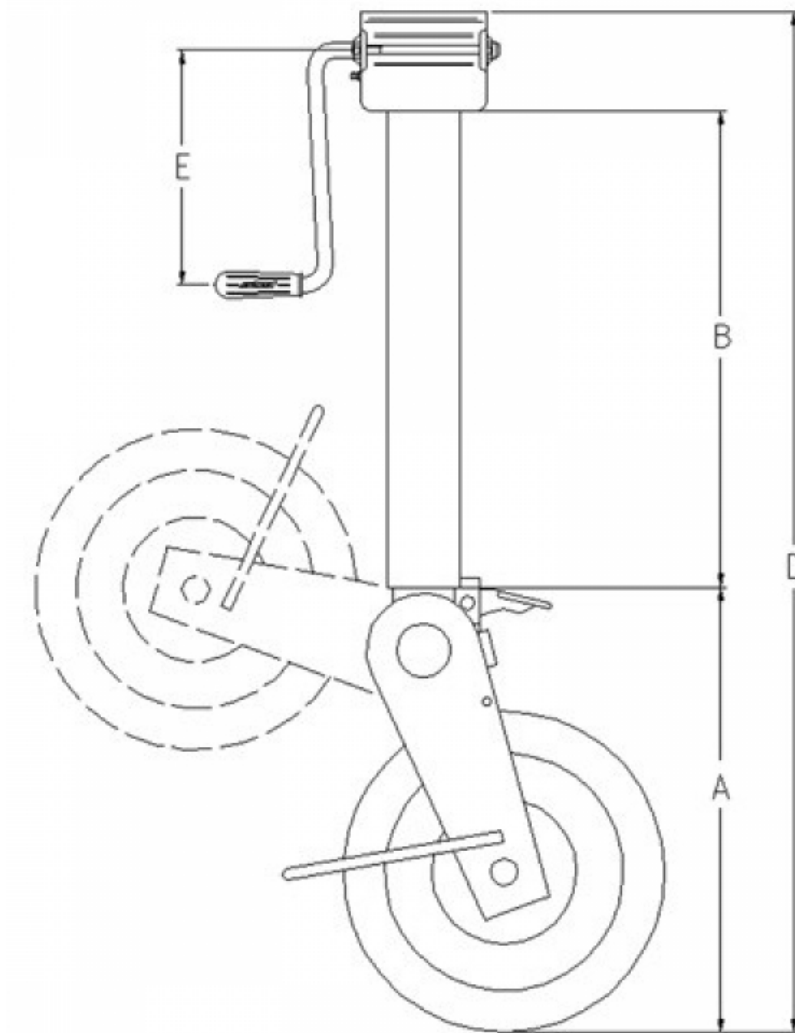
### AL02776 JOCKEY WHEEL 1500 Kg FOLDING

JOCKEY WHEELS AND PARKING JACKS / JOCKEY WHEELS / AL02776 JOCKEY WHEEL 1500 Kg FOLDING



The AL02776 is a quality Italian made product with a steel wheel, designed for agricultural and industrial applications. This model features a steel wheel with semi automated turn over, locking pedal and side handle.

<b>Part number</b>	AL02776
<b>Model</b>	DM364
<b>Wheel size Diameter x Width</b>	310mm x 90mm steel
<b>Outer tube size and shape</b>	70 mm round
<b>Static load rating in Kg</b>	1500
<b>Screw stroke in mm +/- 10mm</b>	240 mm
<b>A</b>	430 mm
<b>B</b>	460 mm
<b>D closed</b>	990 mm
<b>E</b>	225 mm
<b>Unit Weight</b>	30 Kg
<b>Winding method</b>	side wind



## PARKING JACKS

JOCKEY WHEELS AND PARKING JACKS / PARKING JACKS

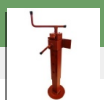


Aline Trading P/L present a comprehensive range of quality made mechanical parking jacks suitable for a wide range of trailers and farm equipment.

Please contact us today with your enquiry.

## AL01523 SIMOL TOP WIND CLAMP MOUNT 1200 Kg

JOCKEY WHEELS AND PARKING JACKS / PARKING JACKS / AL01523 SIMOL TOP WIND CLAMP MOUNT 1200 Kg



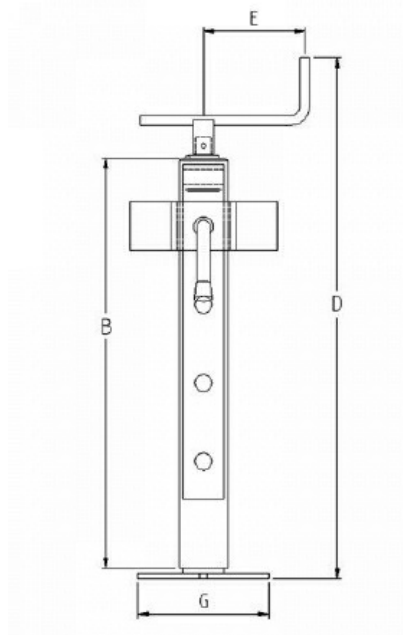
The AL01523 is an Italian made SIMOL top wind jack with slide clamp mount.

This simple yet very strong design makes for a reliable performer.

Capacity = 1200 Kg

Stroke = 300mm

<b>Part Number</b>	AL01523
<b>Model</b>	PE600
<b>Static load rating</b>	1200 Kg
<b>Screw stroke. +_ 10mm</b>	300mm
<b>Tube size diameter x shape</b>	80mm square
<b>Unit weight</b>	16.6 Kg
<b>Finish</b>	prime paint
<b>Mount</b>	slide clamp
<b>B</b>	500mm
<b>D</b>	670mm
<b>E</b>	185mm
<b>G</b>	220mm



### AL02650 SIMOL SIDE WIND TUBE MOUNT 1300 Kg

JOCKEY WHEELS AND PARKING JACKS / PARKING JACKS / AL02650 SIMOL SIDE WIND TUBE MOUNT 1300 Kg



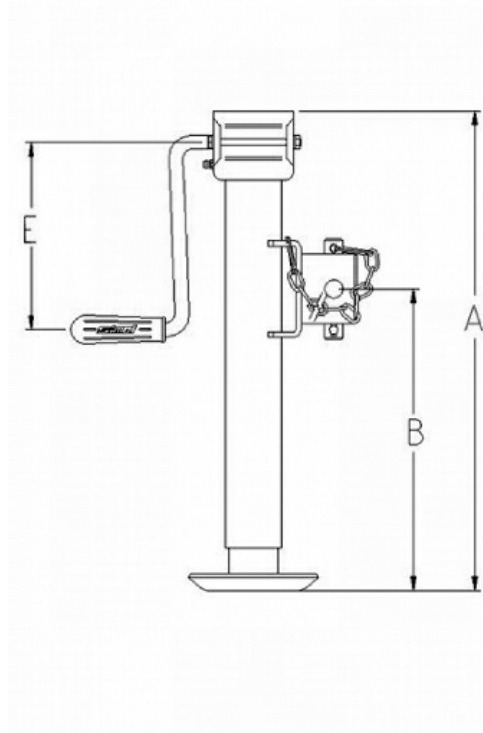
The AL02650 is an Italian made SIMOL side wind jack with tube mount.  
Capacity = 1300 Kg



Stroke = 250mm

Supplied with weld on tube. Not shown.

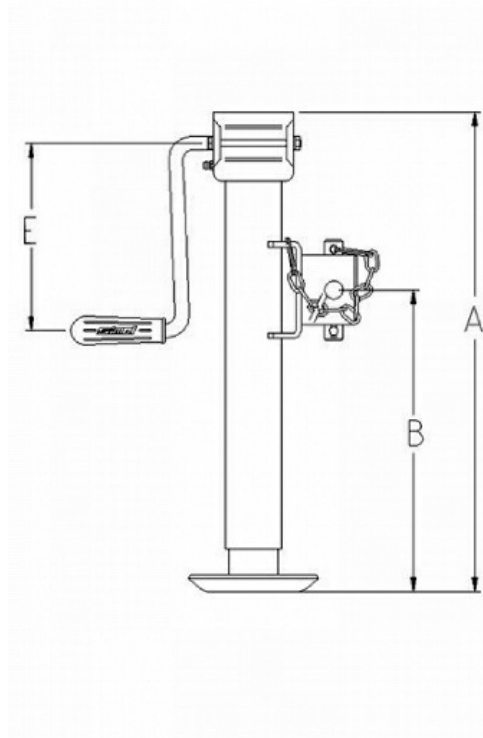
<b>Part Number</b>	AL02650
<b>Model</b>	LT3103
<b>Static load rating</b>	1300Kg
<b>Screw stroke. +_ 10mm</b>	250mm
<b>Tube size diameter x shape</b>	57mm round
<b>Unit weight</b>	6.3 Kg
<b>Finish</b>	zinc plated
<b>Mount</b>	tube
<b>A</b>	430mm
<b>B</b>	280mm
<b>E</b>	168mm





The AL02651 is an Italian made SIMOL side wind jack with tube mount.

<b>Part Number</b>	AL02651
<b>Model</b>	LT3153
<b>Static load rating</b>	1300 Kg
<b>Screw stroke. +_ 10mm</b>	370mm
<b>Tube size diameter x shape</b>	57mm
<b>Unit weight</b>	7.2 Kg
<b>Finish</b>	zinc plated
<b>Mount</b>	tube
<b>A</b>	560mm
<b>B</b>	405mm
<b>E</b>	168mm



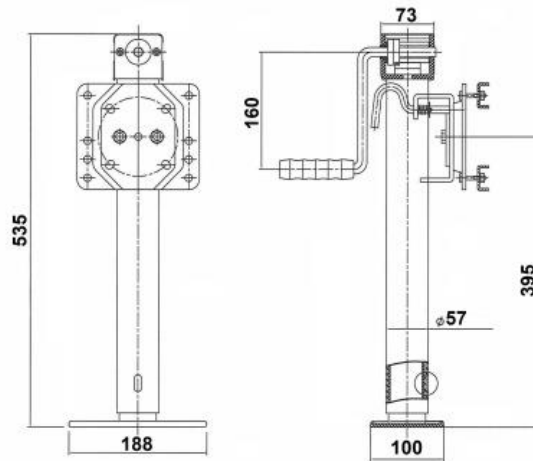
AL01447 SIDE WIND SWIVEL MOUNT 1300 Kg

JOCKEY WHEELS AND PARKING JACKS / PARKING JACKS / AL01447 SIDE WIND SWIVEL MOUNT 1300 Kg



The AL01447 is a swivel mount side wind jack.  
Suitable for agricultural and industrial applications.

<b>Part Number</b>	AL01447
<b>Model</b>	LT3153CSM
<b>Static load rating</b>	1300 Kg
<b>Screw stroke. +_ 10mm</b>	370mm
<b>Tube size diameter x shape</b>	57mm
<b>Unit weight</b>	7.3 Kg
<b>Finish</b>	zinc plated
<b>Mount</b>	swivel plate.



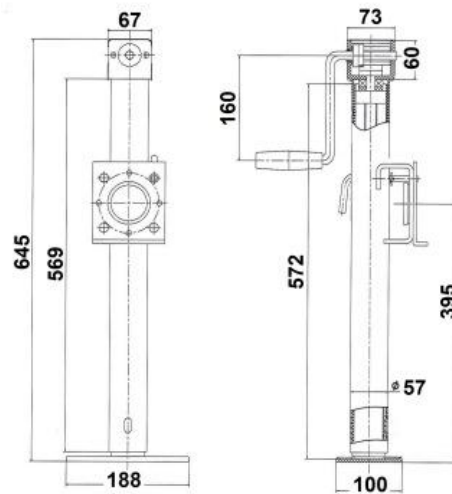
AL00848 SIDE WIND FLANGE MOUNT 1300 Kg

JOCKEY WHEELS AND PARKING JACKS / PARKING JACKS / AL00848 SIDE WIND FLANGE MOUNT 1300 Kg



The AL00848 is a swivel mount side wind jack with a 370mm stroke.  
Suitable for agricultural and industrial equipment.

<b>Part Number</b>	AL00848
<b>Model</b>	ASF15
<b>Static load rating</b>	1300 Kg
<b>Screw stroke. +_ 10mm</b>	370mm
<b>Tube size diameter x shape</b>	57mm
<b>Unit weight</b>	7.9 kg
<b>Finish</b>	zinc plated
<b>Mount</b>	swivel plate



### AL02633 SIDE WIND 1300 Kg

JOCKEY WHEELS AND PARKING JACKS / PARKING JACKS / AL02633 SIDE WIND 1300 Kg



Aline Trading Pty Ltd

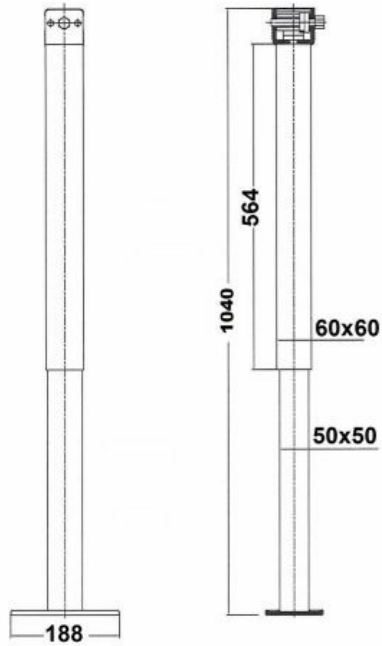
This long bodied, high lift jack has been developed for applications that require additional lift height such as removing camper or work backs from Ute trays.

A removable handle makes storage easier.

The mounting point is to be designed and manufactured by a suitably qualified person to suit the specific application.

<b>Part Number</b>	AL02633
<b>Model</b>	3153CLSQ
<b>Static load rating</b>	1300 Kg
<b>Closed length o/a</b>	1040 mm
<b>Open length o/a</b>	1430 mm
<b>Screw stroke. +_ 10mm</b>	390 mm
<b>Tube size</b>	60 mm SQ
<b>Unit weight</b>	10.1 Kg
<b>Finish</b>	zinc plated
<b>Mount</b>	By Customer.





## AL01428 SIMOL SIDE WIND FLANGE MOUNT 1300 Kg

JOCKEY WHEELS AND PARKING JACKS / PARKING JACKS / AL01428 SIMOL SIDE WIND FLANGE MOUNT 1300 Kg



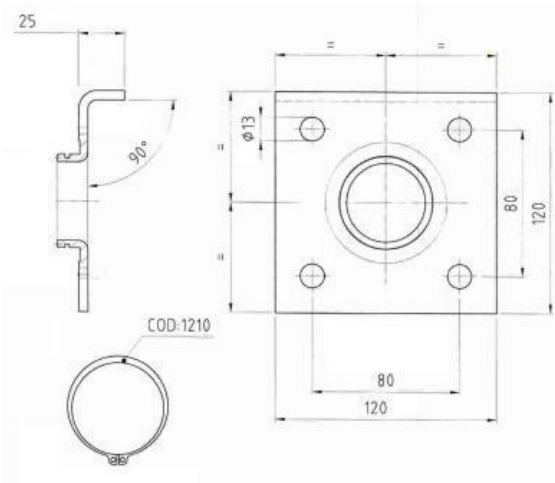
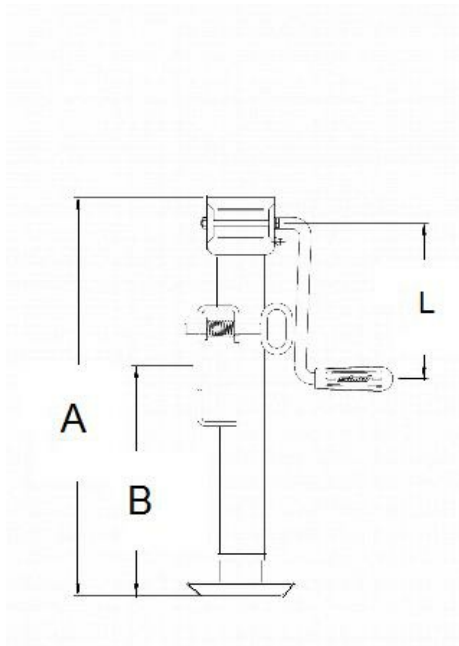
The AL01428 is an Italian made SIMOL side wind jack with swivel plate mount.

Capacity = 1300 Kg

Stroke = 250mm

Supplied with weld on plate mount. Not shown in photo. details below

<b>Part Number</b>	AL01428
<b>Model</b>	LF3101
<b>Static load rating</b>	1300 Kg
<b>Screw stroke. +_ 10mm</b>	250mm
<b>Tube size diameter x shape</b>	57mm round
<b>Unit weight</b>	6.3 Kg
<b>Finish</b>	zinc plated
<b>Mount</b>	swivel plate
<b>A</b>	430mm
<b>B</b>	245mm
<b>L</b>	168mm



AL00847 SIDE WIND FLANGE MOUNT 1300 Kg

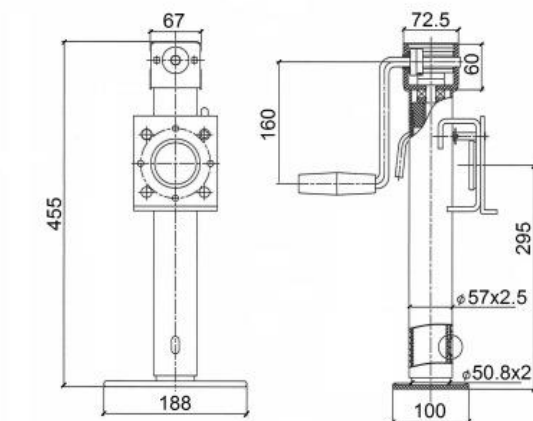
JOCKEY WHEELS AND PARKING JACKS / PARKING JACKS / AL00847 SIDE WIND FLANGE MOUNT 1300 Kg



The AL00847 is a swivel mount side wind jack with a 250mm stroke.

Suitable for agricultural and industrial equipment.

<b>Part Number</b>	AL00847
<b>Model</b>	ASF10
<b>Static load rating</b>	1300 Kg
<b>Screw stroke. + _ 10mm</b>	250 mm
<b>Tube size diameter x shape</b>	57 mm
<b>Unit weight</b>	6.3 kg
<b>Finish</b>	zinc plated
<b>Mount</b>	swivel plate



**AL02053 SIMOL TOP WIND TUBE MOUNT 1300 Kg**

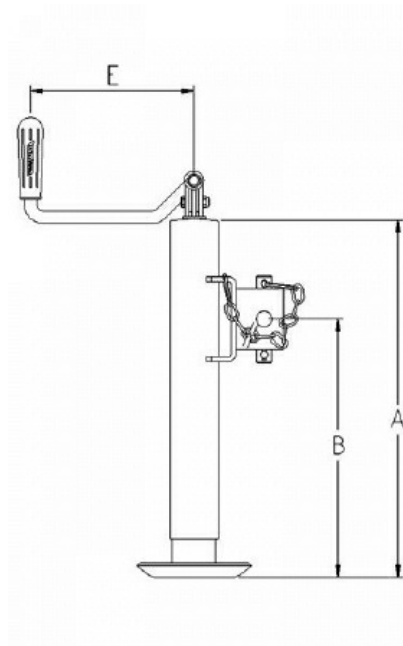
JOCKEY WHEELS AND PARKING JACKS / PARKING JACKS / AL02053 SIMOL TOP WIND TUBE MOUNT 1300 Kg



The AL02053 is an Italian made SIMOL top wind jack with tube mount.



<b>Part Number</b>	AL02053
<b>Model</b>	ST3154
<b>Static load rating</b>	1300 Kg
<b>Screw stroke. +_ 10mm</b>	360mm
<b>Tube size diameter x shape</b>	57mm round
<b>Unit weight</b>	6.4 Kg
<b>Finish</b>	zinc plated
<b>Mount</b>	tube
<b>A</b>	500mm
<b>B</b>	390mm
<b>E</b>	168mm



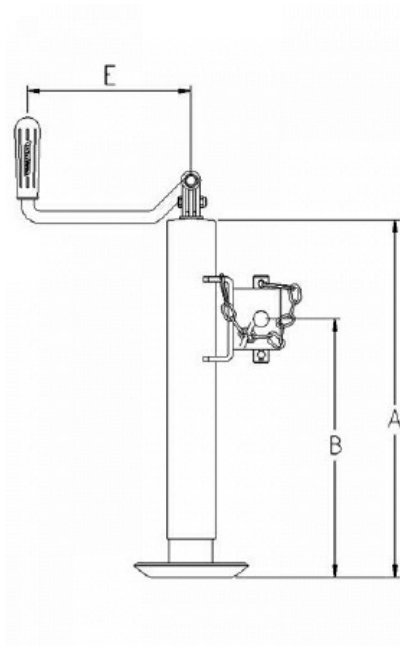
### AL02052 SIMOL TOP WIND TUBE MOUNT 1300 Kg

JOCKEY WHEELS AND PARKING JACKS / PARKING JACKS / AL02052 SIMOL TOP WIND TUBE MOUNT 1300 Kg



The AL02052 is an Italian made SIMOL top wind jack with tube mount.  
Supplied with weld on tube mount. Not shown.

<b>Part Number</b>	AL02052
<b>Model</b>	ST3104
<b>Static load rating</b>	1300 Kg
<b>Screw stroke. +_ 10mm</b>	250mm
<b>Tube size diameter x shape</b>	57mm round
<b>Unit weight</b>	5.4 Kg
<b>Finish</b>	zinc plated
<b>Mount</b>	tube
<b>A</b>	375mm
<b>B</b>	265mm
<b>E</b>	168mm



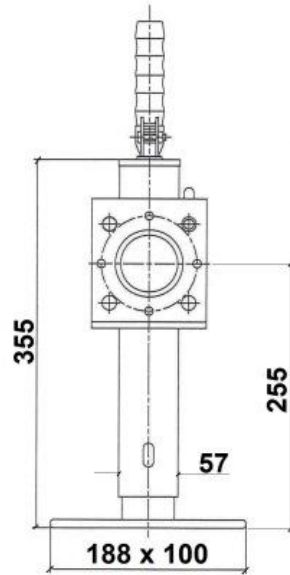
### AL00857 TOP WIND SWIVEL MOUNT 1350 Kg

JOCKEY WHEELS AND PARKING JACKS / PARKING JACKS / AL00857 TOP WIND SWIVEL MOUNT 1350 Kg



The AL00857 is a swivel mount top wind jack with a 250mm stroke. Suitable for agricultural and industrial equipment.

<b>Part Number</b>	AL00857
<b>Model</b>	ATF10
<b>Static load rating</b>	1350 kg
<b>Screw stroke. +_ 10mm</b>	250mm
<b>Tube size diameter x shape</b>	57mm
<b>Unit weight</b>	5.3 kg
<b>Finish</b>	zinc plated
<b>Mount</b>	swivel plate



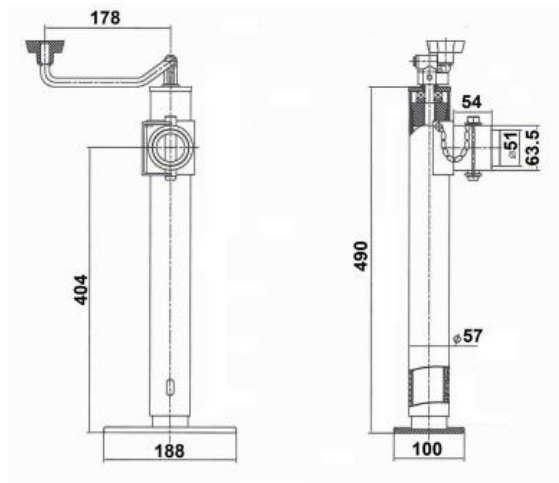
### AL02055 TOP WIND TUBE MOUNT 1350 Kg

JOCKEY WHEELS AND PARKING JACKS / PARKING JACKS / AL02055 TOP WIND TUBE MOUNT 1350 Kg



The AL02055 is a tube mount top wind jack.  
Suitable for agricultural and industrial applications.

<b>Part Number</b>	AL02055
<b>Model</b>	ST3154C
<b>Static load rating</b>	1350 Kg
<b>Screw stroke. +_ 10mm</b>	380mm
<b>Tube size diameter x shape</b>	57mm
<b>Unit weight</b>	6.4
<b>Finish</b>	zinc plated
<b>Mount</b>	tube mount



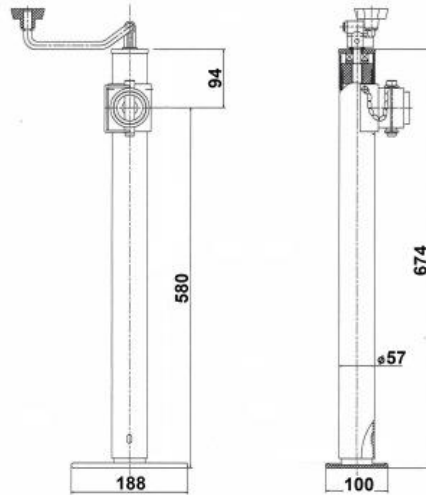
### AL02678 TOP WIND TUBE MOUNT 1350 Kg

JOCKEY WHEELS AND PARKING JACKS / PARKING JACKS / AL02678 TOP WIND TUBE MOUNT 1350 Kg



The AL02678 is a tube mount top wind jack. This model has a longer body section that is suited to agricultural and industrial equipment with a high drawbar height.

<b>Part Number</b>	AL02678
<b>Model</b>	ST3154CEXT
<b>Static load rating</b>	1350 Kg
<b>Screw stroke. +_ 10mm</b>	380mm
<b>Tube size diameter x shape</b>	57mm round
<b>Unit weight</b>	7.0Kg
<b>Finish</b>	Zinc plated
<b>Mount</b>	Tube



### AL01114 SIMOL SIDE WIND 1500 Kg

JOCKEY WHEELS AND PARKING JACKS / PARKING JACKS / AL01114 SIMOL SIDE WIND 1500 Kg

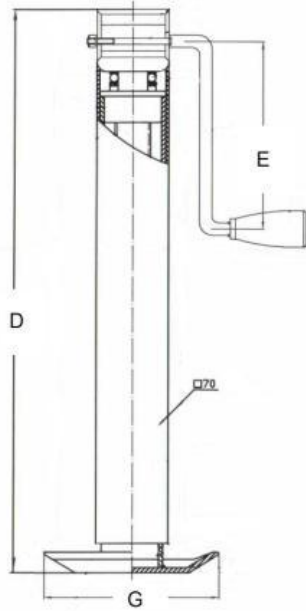


The AL01114 is an Italian made SIMOL side wind jack.

Capacity = 1500 Kg

Stroke = 370mm

<b>Part Number</b>	AL01114
<b>Model</b>	DT590
<b>Static load rating</b>	1500 kg
<b>Screw stroke. +_ 10mm</b>	370
<b>Tube size diameter x shape</b>	70mm square
<b>Unit weight</b>	10.5 kg
<b>Finish</b>	prime paint
<b>Mount</b>	none
<b>D</b>	530mm
<b>G</b>	120mm x 165mm
<b>E</b>	175mm



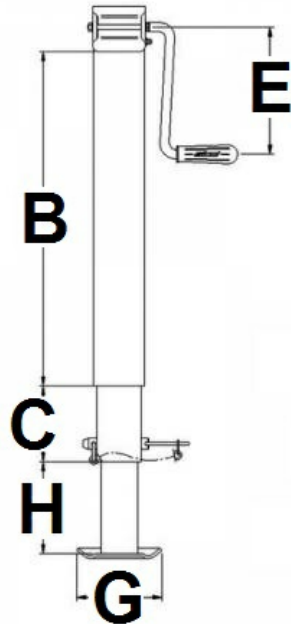
**AL01115 SIMOL SIDE WIND DROP LEG 1500 Kg**

JOCKEY WHEELS AND PARKING JACKS / PARKING JACKS / AL01115 SIMOL SIDE WIND DROP LEG 1500 Kg



The AL01115 is an Italian made SIMOL side wind drop leg jack.

<b>Part Number</b>	AL01115
<b>Model</b>	DT5903SFZ
<b>Static load rating</b>	1500 Kg
<b>Screw stroke. +_ 10mm</b>	370mm
<b>Tube size diameter x shape</b>	70mm square
<b>Unit weight</b>	12.5 Kg
<b>Finish</b>	zinc plated
<b>Mount</b>	none
<b>B</b>	460 mm
<b>C</b>	370mm
<b>E</b>	170 mm
<b>H</b>	340mm
<b>G</b>	120mm x 165mm



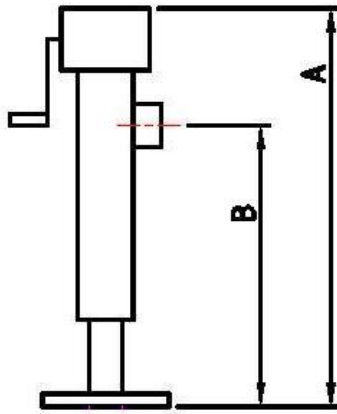
**AL02654 SIMOL SIDE WIND TUBE MOUNT 1500 Kg**

JOCKEY WHEELS AND PARKING JACKS / PARKING JACKS / AL02654 SIMOL SIDE WIND TUBE MOUNT 1500 Kg



The AL02654 is an Italian made SIMOL side wind jack with tube mount.

<b>Part Number</b>	AL02654
<b>Model</b>	DT590Z TM
<b>Static load rating</b>	1500 KG
<b>Screw stroke. +_ 10mm</b>	370mm
<b>Tube size diameter x shape</b>	70mm square
<b>Unit weight</b>	10.5 Kg
<b>Finish</b>	zinc plated
<b>Mount</b>	tube
<b>A</b>	525mm
<b>B</b>	375mm



### AL01444 SIDE WIND TUBE MOUNT 1590 Kg

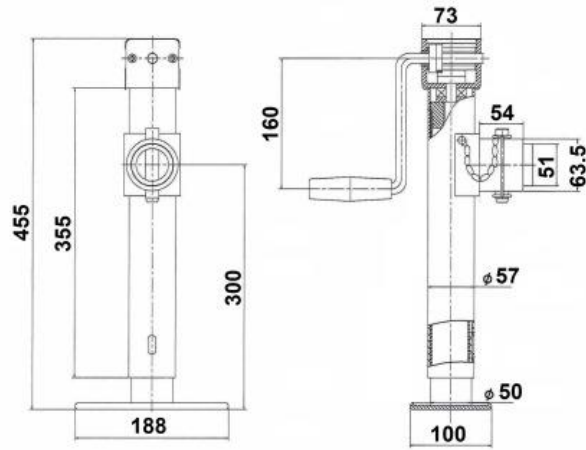
JOCKEY WHEELS AND PARKING JACKS / PARKING JACKS / AL01444 SIDE WIND TUBE MOUNT 1590 Kg



The AL01444 is a tube mount side wind jack with a 250mm stroke.  
Suitable for agricultural and industrial applications.

<b>Part Number</b>	AL01444
<b>Model</b>	LT3103C
<b>Static load rating</b>	1590 Kg
<b>Screw stroke. +_ 10mm</b>	250mm
<b>Tube size diameter x shape</b>	57mm
<b>Unit weight</b>	6.1 Kg
<b>Finish</b>	zinc plated
<b>Mount</b>	tube





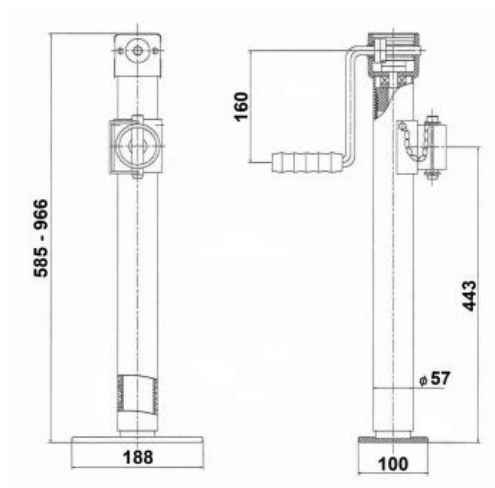
**AL01446 SIDE WIND TUBE MOUNT 1590 Kg**

JOCKEY WHEELS AND PARKING JACKS / PARKING JACKS / AL01446 SIDE WIND TUBE MOUNT 1590 Kg



The AL01446 is a tube mount side wind jack.  
Suitable for agricultural and industrial applications.

<b>Part Number</b>	AL01446
<b>Model</b>	LT3153C
<b>Static load rating</b>	1590 Kg
<b>Screw stroke. +_ 10mm</b>	381mm
<b>Tube size diameter x shape</b>	57mm
<b>Unit weight</b>	7.1
<b>Finish</b>	zinc plated
<b>Mount</b>	tube



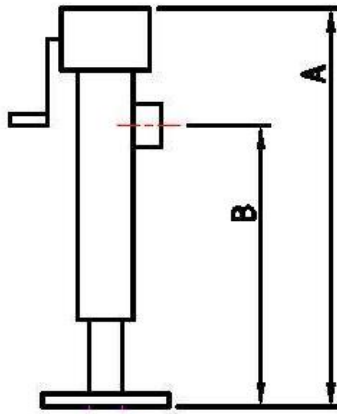
### AL01124 SIDE WIND TUBE MOUNT 1590 Kg

JOCKEY WHEELS AND PARKING JACKS / PARKING JACKS / AL01124 SIDE WIND TUBE MOUNT 1590 Kg



The AL01124 is a side wind tube mount landing leg with painted square body.  
Suitable for agricultural and industrial use.

<b>Part Number</b>	AL01124
<b>Model</b>	DT3500A
<b>Static load rating</b>	1590 Kg
<b>Screw stroke. +_ 10mm</b>	390mm
<b>Dimension A closed</b>	550mm
<b>Dimension B closed</b>	390mm
<b>Tube size diameter x shape</b>	57mm SQUARE
<b>Unit weight</b>	7.9 Kg
<b>Finish</b>	Black paint
<b>Mount</b>	Tube



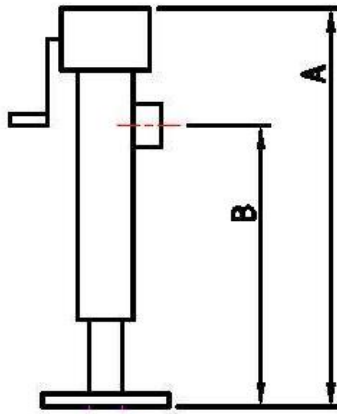
## AL01125 SIDE WIND TUBE MOUNT 2270 Kg

JOCKEY WHEELS AND PARKING JACKS / PARKING JACKS / AL01125 SIDE WIND TUBE MOUNT 2270 Kg



The AL01125 is a side wind tube mount landing leg with painted round body. Suitable for agricultural and industrial use.

<b>Part Number</b>	AL01125
<b>Model</b>	LT5000C
<b>Static load rating</b>	2270 Kg
<b>Screw stroke. +_ 10mm</b>	370mm
<b>Dimension A closed</b>	595mm
<b>Dimension B closed</b>	420mm
<b>Tube size diameter x shape</b>	57mm ROUND
<b>Unit weight</b>	7.4 Kg
<b>Finish</b>	Black paint
<b>Mount</b>	Tube

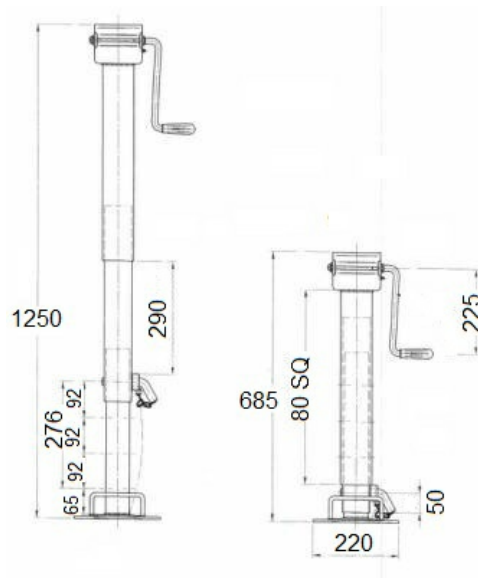


**AL02696 SIMOL SIDE WIND DROP LEG 2500 Kg**

JOCKEY WHEELS AND PARKING JACKS / PARKING JACKS / AL02696 SIMOL SIDE WIND DROP LEG 2500 Kg



<b>Part Number</b>	AL02696
<b>Model</b>	DG7063SF
<b>Static load rating</b>	2500Kg
<b>Screw stroke. +_ 10mm</b>	290mm
<b>Drop leg</b>	276mm
<b>Tube size diameter x shape</b>	80mm square
<b>Unit weight</b>	18.3 Kg
<b>Finish</b>	prime paint
<b>Mount</b>	none



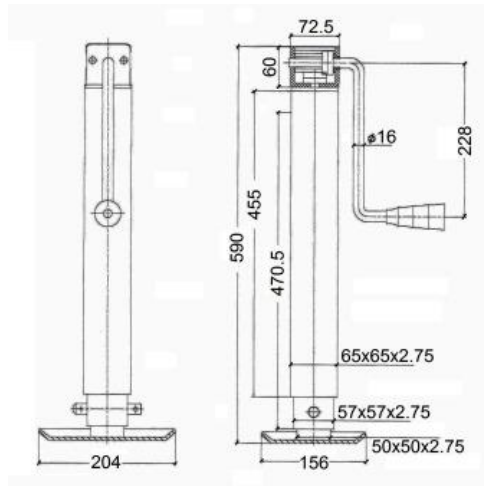
**AL01116 SIDE WIND DROP LEG 3180 Kg**

JOCKEY WHEELS AND PARKING JACKS / PARKING JACKS / AL01116 SIDE WIND DROP LEG 3180 Kg



The AL01116 is a side wind drop leg jack suited to agricultural and industrial equipment.

<b>Part Number</b>	AL01116
<b>Model</b>	DT5903SFZC
<b>Static load rating</b>	3180 Kg
<b>Screw stroke. +_ 10mm</b>	370mm
<b>Tube size diameter x shape</b>	65mm SQ
<b>Unit weight</b>	12.5 Kg
<b>Finish</b>	zinc plated
<b>Mount</b>	none
<b>Drop leg</b>	340 mm



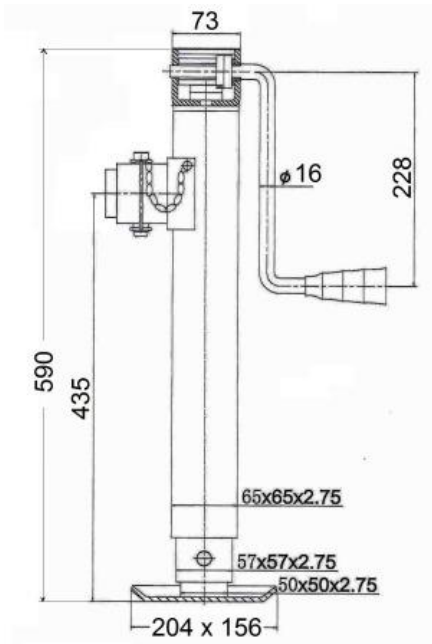
## AL01118 SIDE WIND TUBE MOUNT DROP LEG 3180 Kg

JOCKEY WHEELS AND PARKING JACKS / PARKING JACKS / AL01118 SIDE WIND TUBE MOUNT DROP LEG 3180 Kg



The AL01118 is a side wind drop leg jack suited to agricultural and industrial equipment.

<b>Part Number</b>	AL01118
<b>Model</b>	DT5903SFZCTM
<b>Static load rating</b>	3180 kg
<b>Screw stroke. +_ 10mm</b>	370mm
<b>Tube size diameter x shape</b>	65 mm square
<b>Unit weight</b>	12 kg
<b>Finish</b>	zinc plated
<b>Mount</b>	tube
<b>Drop leg</b>	345mm



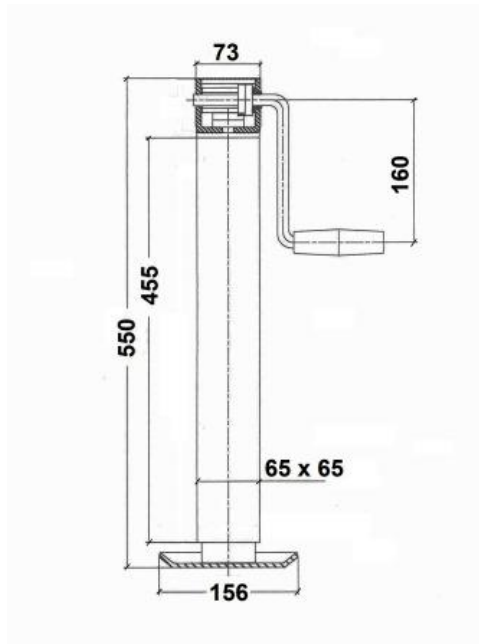
## AL01119 SIDE WIND 3180 Kg

JOCKEY WHEELS AND PARKING JACKS / PARKING JACKS / AL01119 SIDE WIND 3180 Kg



The AL01119 is a side wind jack suited to agricultural and industrial equipment.

<b>Part Number</b>	AL01119
<b>Model</b>	DT590C
<b>Static load rating</b>	3180 kg
<b>Screw stroke. +_ 10mm</b>	370mm
<b>Tube size diameter x shape</b>	65 mm SQ
<b>Unit weight</b>	8.6 kg
<b>Finish</b>	zinc plated
<b>Mount</b>	none



**AL01121 SIDE WIND TUBE MOUNT 3180 Kg**

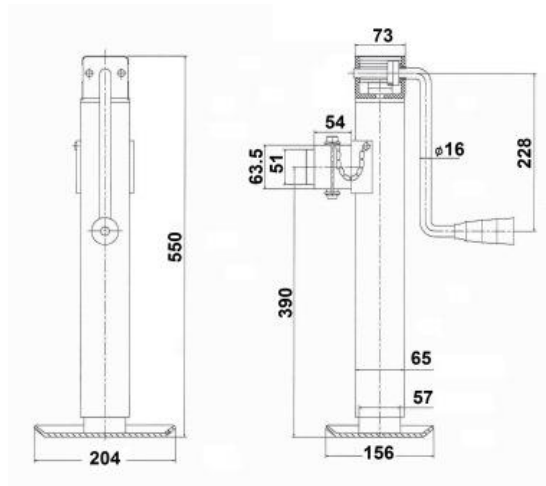
JOCKEY WHEELS AND PARKING JACKS / PARKING JACKS / AL01121 SIDE WIND TUBE MOUNT 3180 Kg



The AL01121 is a side wind tube mount jack suited to agricultural and industrial equipment.

<b>Part Number</b>	AL01121
<b>Model</b>	DT590ZC TM
<b>Static load rating</b>	3180 Kg
<b>Screw stroke. +_ 10mm</b>	370mm
<b>Tube size diameter x shape</b>	65 mm square
<b>Unit weight</b>	10.5kg
<b>Finish</b>	zinc plated
<b>Mount</b>	tube mount





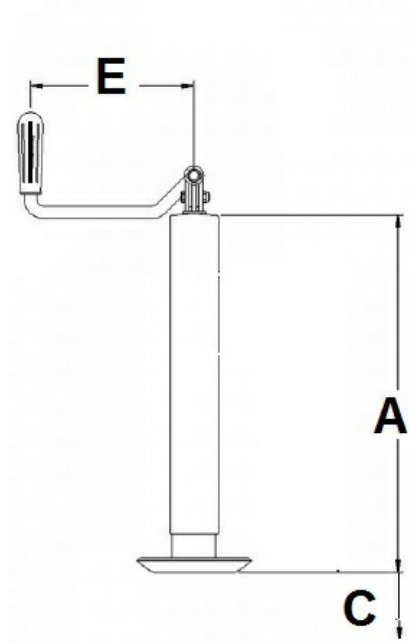
## AL01128 TOP WIND DROP LEG 3180 Kg

JOCKEY WHEELS AND PARKING JACKS / PARKING JACKS / AL01128 TOP WIND DROP LEG 3180 Kg



The AL01128 is a top wind landing leg with a drop foot and painted square body. Suitable for agricultural and industrial use.

<b>Part Number</b>	AL01128
<b>Model</b>	ST7000B
<b>Static load rating</b>	3180 Kg
<b>Screw stroke. +_ 10mm</b>	400mm
<b>Dimension A closed</b>	560mm
<b>Dimension C Drop Leg.</b>	345mm
<b>Dimension E</b>	220mm
<b>Tube size diameter x shape</b>	65mm SQUARE
<b>Unit weight</b>	9.9 Kg
<b>Finish</b>	Black paint
<b>Mount</b>	None



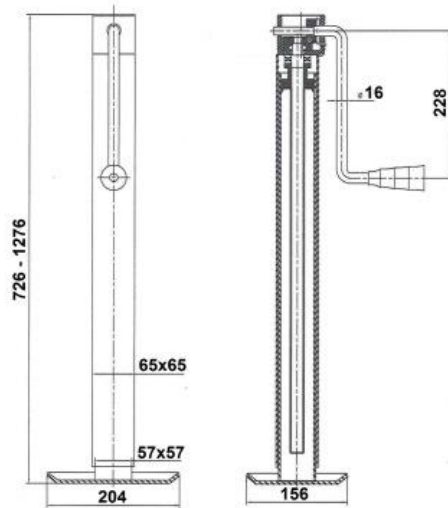
### AL01129 SIDE WIND 3180 Kg LONG STROKE

JOCKEY WHEELS AND PARKING JACKS / PARKING JACKS / AL01129 SIDE WIND 3180 Kg LONG STROKE



The AL01129 jack has a stroke of 550 mm and is designed for applications requiring a longer than standard lift.

<b>Part Number</b>	AL01129
<b>Model</b>	DT7000L
<b>Static load rating</b>	3180 kg
<b>Screw stroke. +_10mm</b>	550 mm
<b>Tube size diameter x shape</b>	70mm SQ
<b>Unit weight</b>	12 kg
<b>Finish</b>	zinc plated
<b>Mount</b>	none



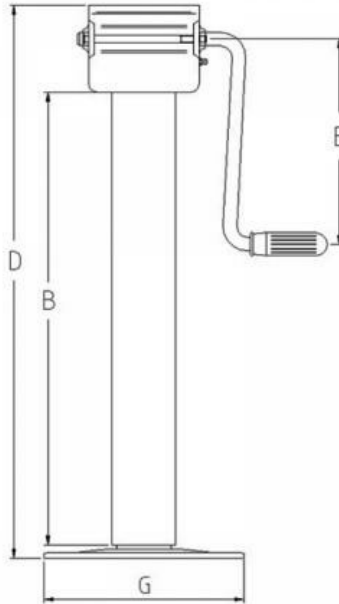
## AL01097 SIMOL SIDE WIND 4000 Kg

JOCKEY WHEELS AND PARKING JACKS / PARKING JACKS / AL01097 SIMOL SIDE WIND 4000 Kg



The AL01097 is a very popular Italian made, 4000Kg side wind parking jack suitable for agricultural and industrial trailers.

<b>Part Number</b>	AL01097
<b>Model</b>	DG706
<b>Static load rating</b>	4000 Kg
<b>Screw stroke. +_ 10mm</b>	310mm
<b>Tube size diameter x shape</b>	80mm square
<b>Unit weight</b>	15.6 Kg
<b>Finish</b>	prime paint
<b>Mount</b>	none
<b>B</b>	500 mm
<b>D closed</b>	620 mm
<b>E</b>	225 mm
<b>G</b>	220 mm



### AL01098 SIMOL SIDE WIND 2 SPEED 4000kg

JOCKEY WHEELS AND PARKING JACKS / PARKING JACKS / AL01098 SIMOL SIDE WIND 2 SPEED 4000kg



The AL01098 ( DG706W) is a newly patented design. Made in Italy.

Based on the original AL01097 (DG706) jack, the new W series has been greatly improved by the addition of a 2 speed gearbox, saving time and labour when operating.

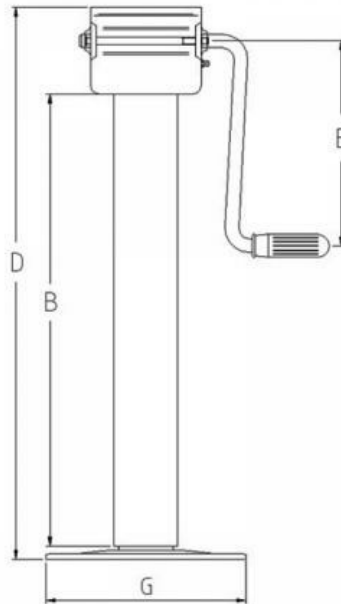
All external dimensions and capacities remain the same as the old AL01097 jack.

Advantages over a standard DG jack:

- 70% reduction in working time.
- 10% reduction in operating power.

The high speed function must only be used for the purpose of lifting or lowering the jack into position. Once the jack has been lowered to the ground it is necessary to use the low speed function to adjust the load. The AL01098 has no neutral position.

<b>Part Number</b>	AL01098
<b>Model</b>	DG706 - W
<b>Gearbox</b>	2 speed
<b>Stroke per handle turn. Low speed</b>	2.4mm
<b>Stroke per handle turn. High speed</b>	7.1mm
<b>Static load rating</b>	4000 Kg
<b>Screw stroke. +_ 10mm</b>	310mm
<b>Tube size diameter x shape</b>	80mm square
<b>Unit weight</b>	15.7 Kg
<b>Finish</b>	prime paint
<b>Mount</b>	none
<b>B</b>	500 mm
<b>D closed</b>	620 mm
<b>E</b>	225 mm
<b>G</b>	220 mm



Adjusting the jack under load ( Low speed)

Push the handle to standard position. Rotate clockwise to lift the load.

Lowering the jack to the ground (high speed)

Pull the handle to fast position. Rotate counter clockwise to lower the jack to the ground. Rotate clockwise to lift the jack from the ground.



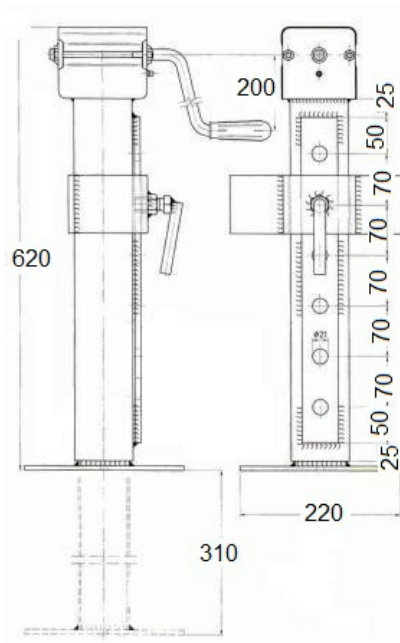
AL01102 SIMOL SIDE WIND CLAMP MOUNT 4000 Kg

JOCKEY WHEELS AND PARKING JACKS / PARKING JACKS / AL01102 SIMOL SIDE WIND CLAMP MOUNT 4000 Kg



The AL01102 is an Italian made SIMOL side wind jack with slide clamp mount.  
 Capacity = 4000 Kg  
 Stroke = 310mm

<b>Part Number</b>	AL01102
<b>Model</b>	DG706PE
<b>Static load rating</b>	4000 Kg
<b>Screw stroke. +_ 10mm</b>	310mm
<b>Tube size diameter x shape</b>	80mm square
<b>Unit weight</b>	17 kg
<b>Finish</b>	prime paint
<b>Mount</b>	slide clamp



AL01380 SIMOL SIDE WIND DROP LEG 4500 Kg

JOCKEY WHEELS AND PARKING JACKS / PARKING JACKS / AL01380 SIMOL SIDE WIND DROP LEG 4500 Kg

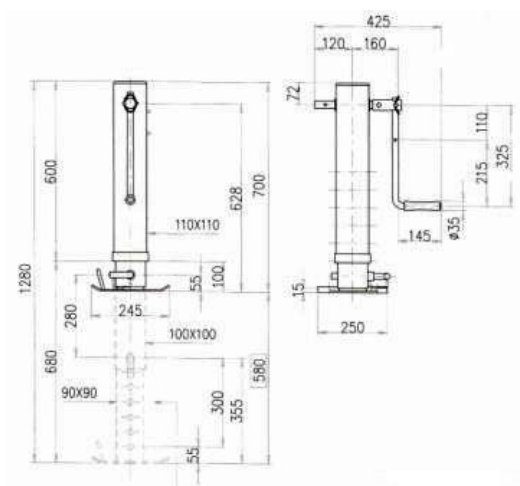
The AL01380 is a heavy duty 4500 kg rated jack with drop leg.  
 This premium quality product is suited to large agricultural or industrial trailers.

Features include;

- 2 position handle.
- Drop leg section for fast height adjustment.
- Galvanised foot for corrosion resistance.
- Lifting handle on foot.



<b>Part Number</b>	AL01380
<b>Model</b>	K450
<b>Static load rating</b>	4500 Kg
<b>Screw stroke. +_ 10mm</b>	280mm + 300mm drop
<b>Tube size diameter x shape</b>	110mm square
<b>Unit weight</b>	32 Kg
<b>Finish</b>	prime paint / galvanized
<b>Mount</b>	none
<b>B = closed height</b>	700 mm
<b>G = base plate</b>	250mm sq
<b>H = drop section</b>	300mm



### AL01111 SIMOL SIDE WIND 6000 Kg

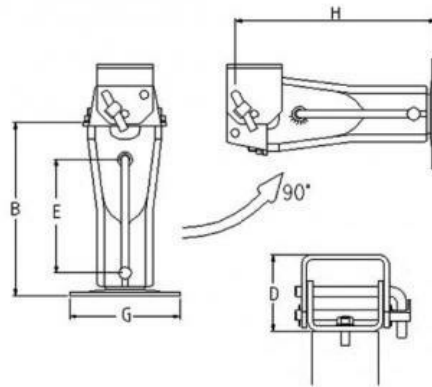
JOCKEY WHEELS AND PARKING JACKS / PARKING JACKS / AL01111 SIMOL SIDE WIND 6000 Kg



The AL01111 is an Italian made SIMOL side wind jack with top mount tipping connection.  
 Capacity = 6000 Kg

Stroke = 170mm

<b>Part Number</b>	AL01111
<b>Model</b>	DS510S
<b>Static load rating</b>	6000 kG
<b>Screw stroke. +_ 10mm</b>	170 mm
<b>Tube size diameter x shape</b>	70mm shaped
<b>Unit weight</b>	15.5 Kg
<b>Finish</b>	prime painted
<b>Mount</b>	Top mount
<b>B</b>	330mm
<b>D</b>	125mm
<b>E</b>	220mm
<b>G</b>	220mm
<b>H</b>	400mm



**AL01108 SIMOL SIDE WIND DROP LEG 6000 Kg**

JOCKEY WHEELS AND PARKING JACKS / PARKING JACKS / AL01108 SIMOL SIDE WIND DROP LEG 6000 Kg



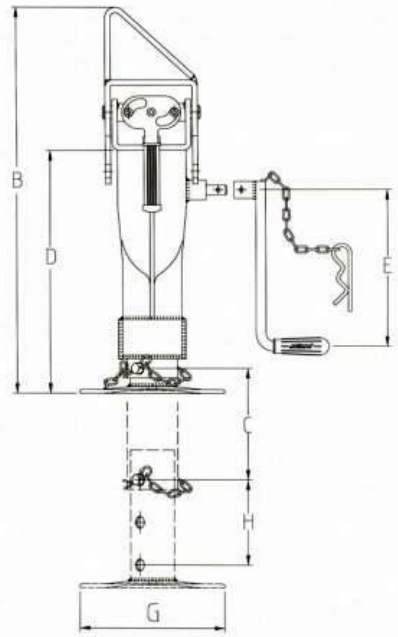
The AL01108 is an Italian made SIMOL side wind jack with drop leg and top mount tipping connection with automatic security lock. The swing away design makes it suitable for heavy tandem trailers.

Capacity = 6000 Kg

Stroke = 170mm



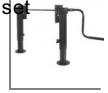
<b>Part Number</b>	AL01108
<b>Model</b>	SD6 13AL
<b>Static load rating</b>	6000 Kg
<b>Screw stroke. +_ 10mm</b>	170mm
<b>Tube size diameter x shape</b>	70mm
<b>Unit weight</b>	18.6 Kg
<b>Finish</b>	prime paint
<b>Mount</b>	top mount
<b>B</b>	600 mm
<b>C</b>	170 mm
<b>D</b>	375 mm
<b>E</b>	235 mm
<b>G</b>	220 mm
<b>H</b>	130 mm



AL01092 SIMOL TANDEM SIDE WIND 6000 Kg

JOCKEY WHEELS AND PARKING JACKS / PARKING JACKS / AL01092 SIMOL TANDEM SIDE WIND 6000 Kg

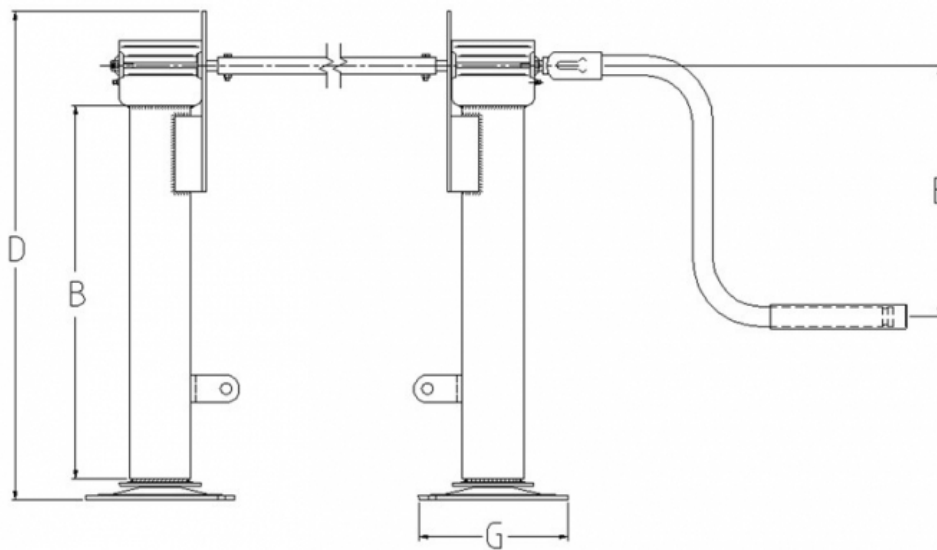
The AL01092 is a complete landing leg set designed for use on 5th wheel trailers, agricultural machines and industrial equipment. The set consists of 2 x jack legs, 1 x handle and 1 x connecting drive shaft.



This model is made in Italy by SIMOL

These 2 leg sets allow operation from a single wind point and offer increased stability over a single jack leg. Legs are supplied with mounting plates and brace anchors fitted.

<b>Part Number</b>	AL01092
<b>Model</b>	DG2800
<b>Static load rating</b>	6000 Kg
<b>Screw stroke. +_ 10mm</b>	330mm
<b>Tube size diameter x shape</b>	90mm square
<b>Unit weight</b>	51.8 Kg / set
<b>Finish</b>	prime paint
<b>Mount</b>	Plates supplied fitted
<b>B</b>	550mm
<b>D</b>	720mm
<b>E</b>	370mm
<b>G</b>	220mm



### AL01366 SIMOL SIDE WIND DROP LEG 2 SPEED 10000kg

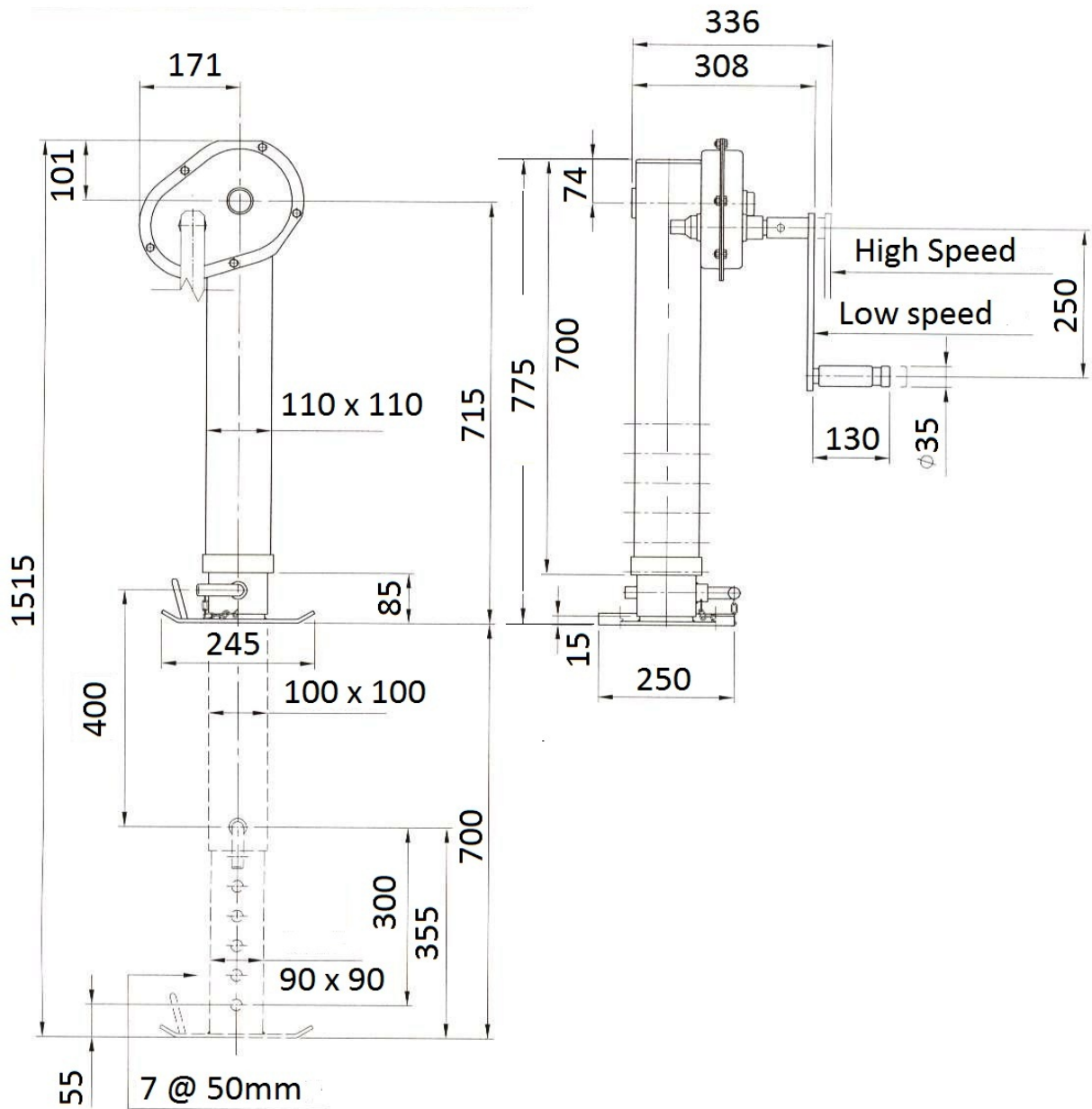
JOCKEY WHEELS AND PARKING JACKS / PARKING JACKS / AL01366 SIMOL SIDE WIND DROP LEG 2 SPEED 10000kg



The AL01366 (KRA750) is a heavy duty 10,000kg rated jack featuring a 2 speed gearbox and galvanized drop leg for increased operating speed and reduced effort.

This jack is suitable for use on larger agricultural or industrial equipment.

<b>Part Number</b>	AL01366
<b>Model</b>	KRA 750
<b>Static load rating</b>	10,000 Kg
<b>Screw stroke. +_ 10mm</b>	420mm + 300mm drop
<b>Travel per handle turn low speed</b>	1mm
<b>Travel per handle turn high speed</b>	10.6mm
<b>Tube size diameter x shape</b>	110mm square
<b>Unit weight</b>	43.2 Kg
<b>Finish</b>	prime paint / galvanized
<b>Mount</b>	none
<b>Closed height</b>	820 mm
<b>Base plate</b>	250mm x 250mm
<b>Drop section</b>	300mm

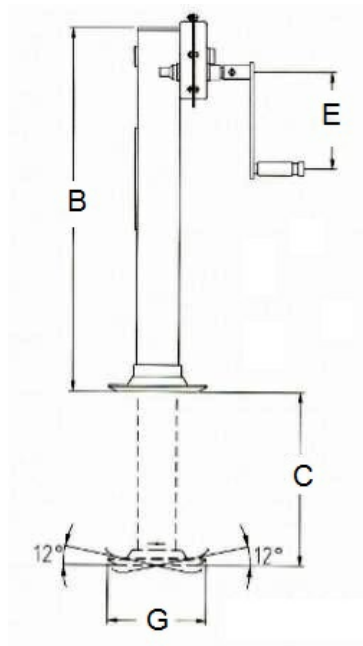


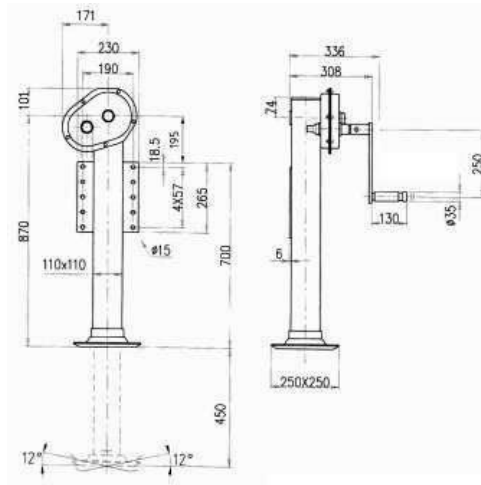


The AL01367 is a heavy duty 10,000 kg rated landing leg. Made in Italy by SIMOL it is suited to large agricultural or industrial trailers. Features include;

- 2 speed gearbox.
- Self levelling base plate
- Mounting plate

<b>Part Number</b>	AL01367
<b>Model</b>	KRA1200FL
<b>Static load rating</b>	10,000 Kg
<b>Screw stroke. +_ 10mm</b>	450mm
<b>Tube size diameter x shape</b>	110mm square
<b>Unit weight</b>	45 Kg
<b>Finish</b>	prime paint
<b>Mount</b>	plate
<b>B</b>	950mm
<b>C</b>	450mm
<b>E</b>	250mm
<b>G</b>	250mm SQ





## AL01126 - 2 SPEED 12500 KG

JOCKEY WHEELS AND PARKING JACKS / PARKING JACKS / AL01126 - 2 SPEED 12500 KG



The AL01126 is a heavy duty (12,500 kg lift) landing leg designed for large agricultural and industrial trailers.

Features:

- 2 speed gearbox.
- Self levelling base plate
- Mounting plate

<b>Part Number</b>	AL01126
<b>Model</b>	A1250
<b>Lift load rated</b>	12500 Kg
<b>Static load rating</b>	25,000 Kg
<b>Screw stroke. +_ 10mm</b>	480mm
<b>Lift/rev low speed</b>	.9mm
<b>Lift/rev high speed</b>	7.5mm
<b>Tube size diameter x shape</b>	130mm square
<b>Unit weight</b>	45 Kg
<b>Finish</b>	Painted
<b>Mount</b>	Plate



### AL01127 - 2 SPEED TANDEM 25000 KG

JOCKEY WHEELS AND PARKING JACKS / PARKING JACKS / AL01127 - 2 SPEED TANDEM 25000 KG



The AL01127 is a tandem heavy duty (25,000 kg lift) truck style landing leg set designed for large agricultural and industrial trailers. Supplied as a drive box, second box and connecting shaft kit.

Features:

- 2 speed gearbox.
- Self levelling base plate
- Mounting plate™s
- Connecting shaft.

<b>Part Number</b>	AL01127
<b>Model</b>	A2500T
<b>Lift load rating</b>	25,000 Kg
<b>Static load rating</b>	50,000 Kg
<b>Screw stroke. +_ 10mm</b>	450mm
<b>Lift/rev - low speed</b>	.9mm
<b>Lift/rev - high speed</b>	7.5mm
<b>Tube size diameter x shape</b>	110mm square
<b>Unit weight</b>	95 Kg
<b>Finish</b>	prime paint
<b>Mount</b>	plate



## HYDRAULIC PARKING JACKS

JOCKEY WHEELS AND PARKING JACKS / HYDRAULIC PARKING JACKS



Aline Trading P/L present a range of quality Italian made SIMOL hydraulic parking jacks suitable for larger agricultural machinery and industrial equipment.

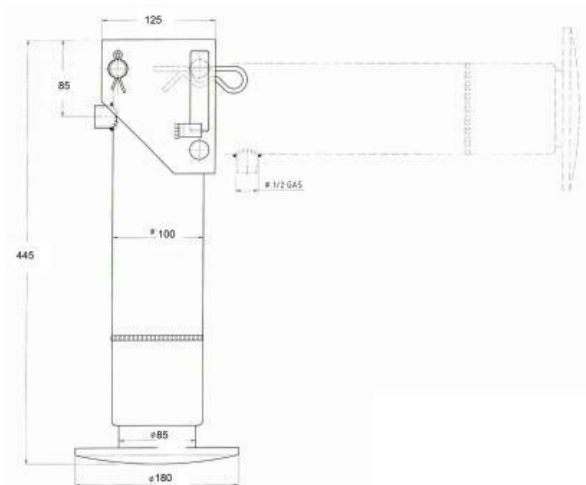
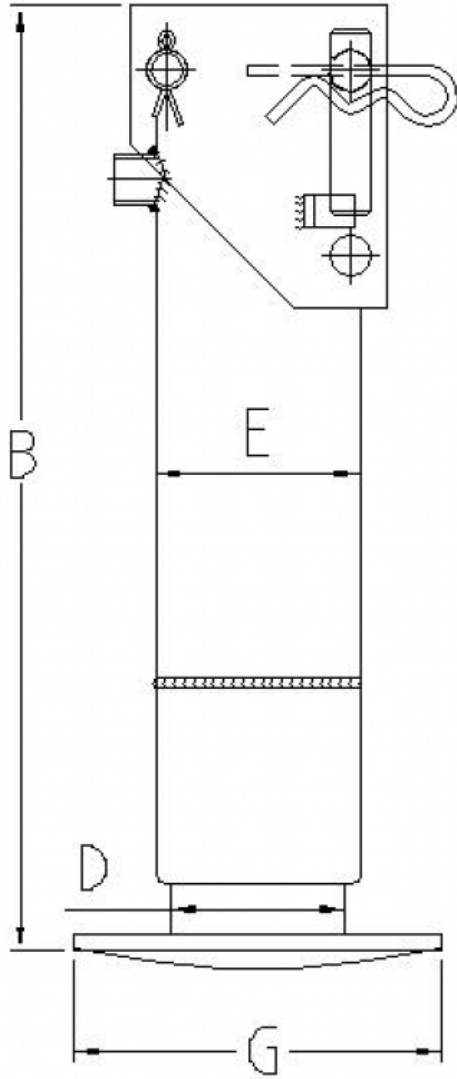
## AL01104 HYDRAULIC JACK

JOCKEY WHEELS AND PARKING JACKS / HYDRAULIC PARKING JACKS / AL01104 HYDRAULIC JACK



The AL01104 is a compact single acting hydraulic jack with spring return. Its compact size and swing up mounting bracket make it ideal for applications with limited space.

<b>Part Number</b>	AL01104
<b>Model</b>	DH713
<b>Static load rating @ 100 bar</b>	5670Kg
<b>Static load rating @ 150 bar</b>	8205 Kg
<b>Max pressure</b>	210 bar
<b>Working pressure</b>	150 bar
<b>Oil capacity</b>	3.9 lt
<b>Stroke. +_ 10mm</b>	250mm
<b>Hose port</b>	1/2" Gas (BSPP)
<b>Tube size diameter x shape</b>	100mm round
<b>Unit weight</b>	17.4
<b>Finish</b>	prime paint
<b>Mount</b>	top fold up
<b>B</b>	445mm
<b>D</b>	85mm
<b>E</b>	100mm
<b>G</b>	180mm







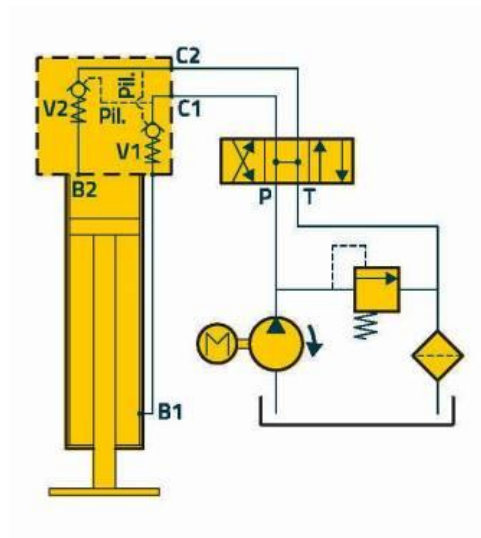
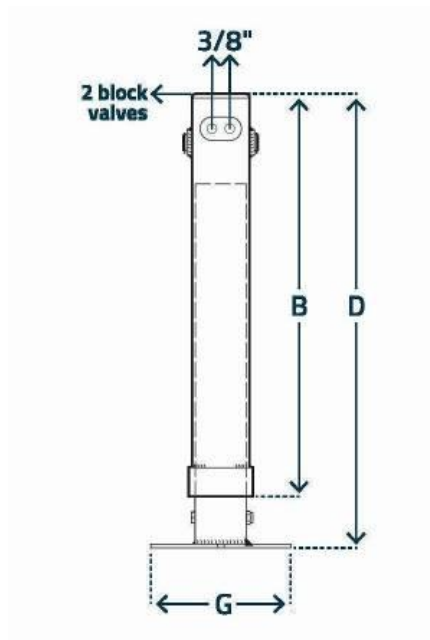
## AL01313 HYDRAULIC JACK

JOCKEY WHEELS AND PARKING JACKS / HYDRAULIC PARKING JACKS / AL01313 HYDRAULIC JACK



The AL01313 is a double acting hydraulic jack with two block valves and is suitable for a wide range of agricultural and industrial applications.

<b>Part Number</b>	AL01313
<b>Model</b>	H1042
<b>Static load rating @ 100 bar</b>	2800 Kg
<b>Static load rating @ 150 bar</b>	4200 Kg
<b>Static load rating @ 200 bar</b>	5600 Kg
<b>Max working pressure</b>	250 bar
<b>Oil capacity</b>	1.2 lt
<b>Hose ports</b>	3/8" Gas (BSPP)
<b>Stroke. +_ 10mm</b>	400mm
<b>Tube size diameter x shape</b>	100mm square
<b>Unit weight</b>	30 Kg
<b>Finish</b>	Prime paint
<b>Mount</b>	none
<b>B = Body length.</b>	630mm
<b>D = O/A Closed height</b>	720mm
<b>G = Base plate diameter</b>	280mm



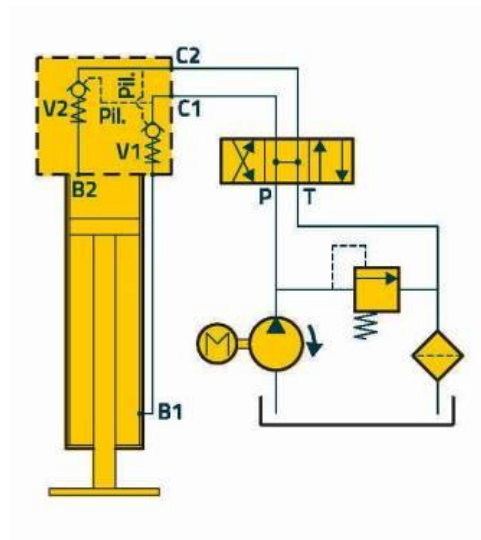
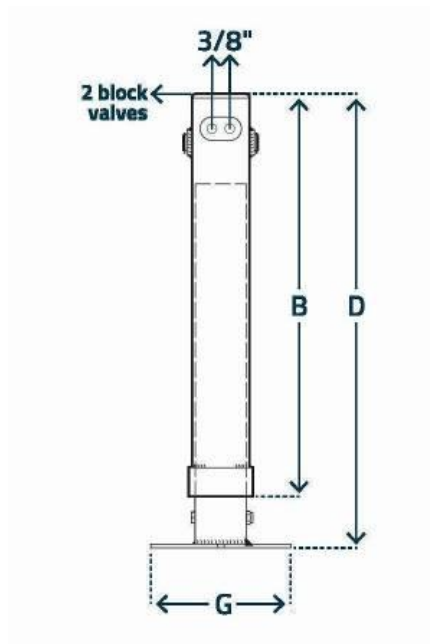
## AL01314 HYDRAULIC JACK

JOCKEY WHEELS AND PARKING JACKS / HYDRAULIC PARKING JACKS / AL01314 HYDRAULIC JACK



The AL01314 is a double acting hydraulic jack with two block valves and is suitable for a wide range of agricultural and industrial applications.

<b>Part Number</b>	AL01314
<b>Model</b>	H1052/1
<b>Static load rating @ 100 bar</b>	2800Kg
<b>Static load rating @ 150 bar</b>	4200 Kg
<b>Static load rating @ 200 bar</b>	5600 Kg
<b>Stroke. +_ 10mm</b>	500mm
<b>Hose ports</b>	3/8" Gas (BSPP)
<b>Oil capacity</b>	1.45 lt
<b>Tube size diameter x shape</b>	100mm square
<b>Unit weight</b>	32.5
<b>Finish</b>	Prime paint
<b>Mount</b>	none
<b>B = Body length.</b>	730mm
<b>D = O/A Closed height</b>	820mm
<b>G = Base plate diameter</b>	280mm



## AL01315 HYDRAULIC JACK

JOCKEY WHEELS AND PARKING JACKS / HYDRAULIC PARKING JACKS / AL01315 HYDRAULIC JACK



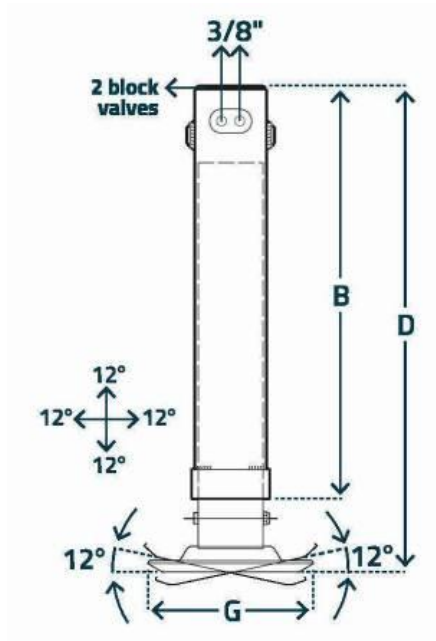
The AL01315 is a double acting hydraulic jack with single block valve and is suitable for a wide range of agricultural and industrial applications.

Other features include;

: Rubber cushion foot plate

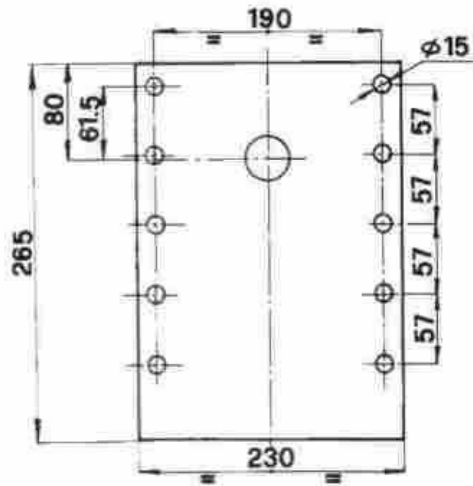
: Mounting plate, supplied loose for optimal positioning.

<b>Part Number</b>	AL01315
<b>Model</b>	H1140PF1
<b>Static load rating @ 100 bar</b>	3800Kg
<b>Static load rating @ 150 bar</b>	5700 Kg
<b>Static load rating @ 200 bar</b>	7600 Kg
<b>Oil capacity</b>	1.55 lt
<b>Stroke. +_ 10mm</b>	400mm
<b>Hose ports</b>	3/8" Gas (BSPP)
<b>Tube size diameter x shape</b>	110mm square
<b>Unit weight</b>	39 Kg
<b>Finish</b>	prime paint
<b>Mount</b>	loose plate 10 hole
<b>B</b>	650mm
<b>D = o/a closed height</b>	760mm
<b>E = base plate</b>	250mm SQ



Mounting plate





## AL01316 HYDRAULIC JACK

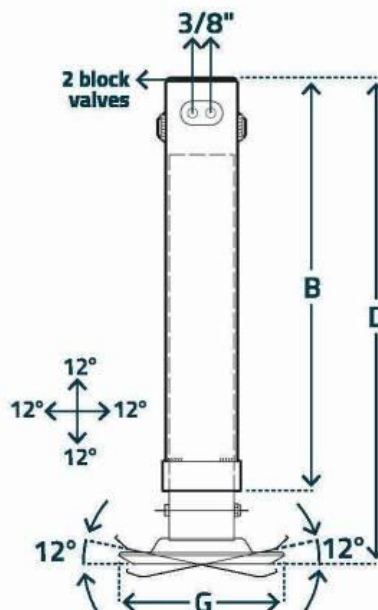
JOCKEY WHEELS AND PARKING JACKS / HYDRAULIC PARKING JACKS / AL01316 HYDRAULIC JACK

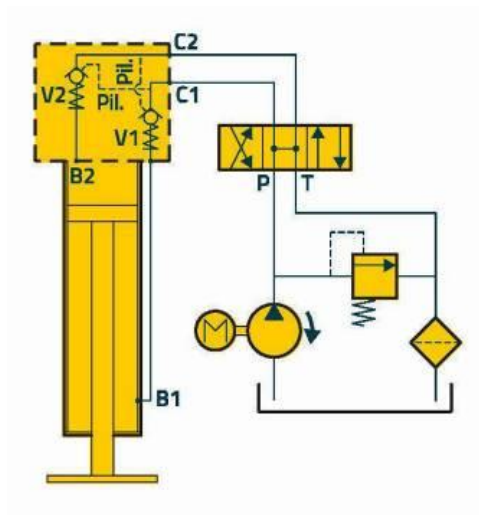


The AL01316 is a double acting hydraulic jack with single block valve and is suitable for a wide range of agricultural and industrial applications.

Other features include: Rubber cushion foot plate

Part Number	AL01316
Model	H1152P
Static load rating @ 100 bar	3800Kg
Static load rating @ 150 bar	5700 Kg
Static load rating @ 200 bar	7600 Kg
Max working pressure	200 bar
Oil capacity	1.87 lt
Stroke. +_ 10mm	500mm
Hose ports	3/8" Gas (BSPP)
Tube size diameter x shape	110mm square
Unit weight	41 Kg
Finish	Prime paint
B	735mm
D = o/a closed height	850mm
E = base plate	250mm SQ





## ADJUSTABLE LEGS

JOCKEY WHEELS AND PARKING JACKS / ADJUSTABLE LEGS



Adjustable support leg, Weld- On.  
Ideal for camp trailers, caravanâ€™s, catering / service trailers.

Part No	Closed Length mm	Lift mm	Weight Kg
AL03516	400	120	4.7
AL03545	455	180	5.1
AL03546	520	140	5.7
AL03318	620	180	6.2



Optional Handle.  
Part No AL03431



## CORNER STANDS

JOCKEY WHEELS AND PARKING JACKS / CORNER STANDS

Aline trading P/L

Zinc plated, Scissor action corner stand with pivoting foot. Bolts to the trailer chassis (Can be welded).

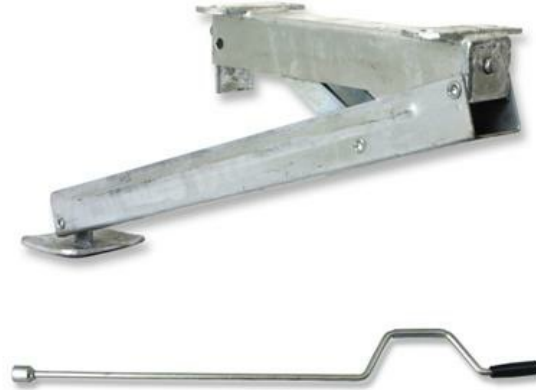
Maximum extended height at right angles is 650mm.

Corner stands and handles are sold separately.

Note: These corner stands are designed to stabilise the trailer only. They are not to be used to lift the trailer when changing tyres.



Part No	Description
AL03430	Stand
AL03431	Handle



## ACCESSORIES AND PARTS

JOCKEY WHEELS AND PARKING JACKS / ACCESSORIES AND PARTS



Aline Trading P/L presents a range of accessories to assist with the mounting of our jacks and jockey wheels.

A comprehensive range of spare parts for our jacks and jockey wheels is also available. Please contact us with your requirements.

## TUBE MOUNT SET HEAVY DUTY

JOCKEY WHEELS AND PARKING JACKS / ACCESSORIES AND PARTS / TUBE MOUNT SET HEAVY DUTY



The AL01085 is a heavy duty, 3 piece, weld on tube mount set designed for use on our DT and DG range of jacks.

Part Number	AL01085
Model	DG1001300Z
Outer tube	76mm diameter
Inner tube	63mm diameter
Pin	16mm diameter
Finish	zinc plated
Unit weight	1.36 Kg





Spare Pin & Chain	
<b>Part Number</b>	AL01088
<b>Size</b>	Diam 16mm x 100mm long

### SWIVEL MOUNT HEAVY DUTY

JOCKEY WHEELS AND PARKING JACKS / ACCESSORIES AND PARTS / SWIVEL MOUNT HEAVY DUTY



The AL01101 is a heavy duty, yet compact swivel mount designed for use with or DG and K series of jacks up to 7.5t

<b>Part Number</b>	AL01101
<b>Model</b>	DG706BKT HD
<b>Diameter</b>	200mm
<b>Material</b>	12mm plate
<b>Finish</b>	prime paint
<b>Greasable</b>	yes
<b>Spring loaded lock pin</b>	yes
<b>Weight</b>	8 Kg



### JOCKEY WHEEL CLAMP - JW1

JOCKEY WHEELS AND PARKING JACKS / ACCESSORIES AND PARTS / JOCKEY WHEEL CLAMP - JW1



Part Number AL01355

This clamp suits the basic JW1 jockey wheel (AL01354) and can be used as a spare part or for when a second mount is required to store the jockey wheel.

### TUBE MOUNT INNER - SIMOL JACKS

JOCKEY WHEELS AND PARKING JACKS / ACCESSORIES AND PARTS / TUBE MOUNT INNER - SIMOL JACKS



Weld on tube mount suitable for our SIMOL brand LT, ST & DT tube mount jacks.



<b>Part Number</b>	AL01450
<b>Finish</b>	Unpainted
<b>Diameter</b>	51mm
<b>Weight</b>	.2 Kg
<b>Length</b>	55mm
<b>Holes</b>	2 - suits 16mm pin

### TUBE MOUNT INNER - ALINE JACKS

JOCKEY WHEELS AND PARKING JACKS / ACCESSORIES AND PARTS / TUBE MOUNT INNER - ALINE JACKS



Weld on tube mount suitable for our ALINE brand LT, ST & DT tube mount jacks.

<b>Part Number</b>	AL01158
<b>Finish</b>	Zinc Plated.
<b>Diameter</b>	51mm
<b>Weight</b>	.2 Kg
<b>Length</b>	57mm
<b>Holes</b>	4 - Suits 16mm pin.

### TUBE MOUNTS OUTER - ALINE JACKS

JOCKEY WHEELS AND PARKING JACKS / ACCESSORIES AND PARTS / TUBE MOUNTS OUTER - ALINE JACKS



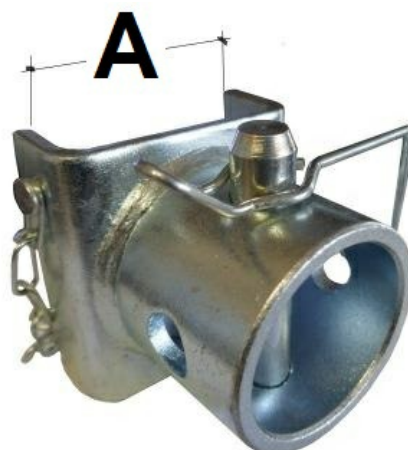
Aline Trading have 2 versions of weld on outer tube mounts available that suit 51 mm diameter inner tubes.

Both versions are supplied with a locking pin and retaining chain.

Used when a mount must be placed in a non-standard location. (Welding must be carried out by a suitably qualified person)

<b>Part Number</b>	AL01148
<b>Fits Inner Mount</b>	AL01158 - 51 mm
<b>Finish</b>	Zinc Plated
<b>Dimension A</b>	57 mm

<b>Part Number</b>	AL01159
<b>Fits Inner Mount</b>	AL01158 - 51 mm
<b>Finish</b>	Zinc Plated
<b>Dimension A</b>	66 mm



# GEARBOXES

GEARBOXES



The comprehensive range of gearboxes presented by Aline Trading P/L is suitable for use in wide range agricultural and industrial applications. Quality materials and production procedures allow us to present a reliable, long lasting product while maintaining competitive prices. Our range of gearboxes is divided into the following categories:

1. **General Purpose boxes.** Standard range of "T" or "L" configuration gearboxes suitable for a wide range of applications.
2. **Auger Boxes.** Gearboxes especially designed for use on grain augers
3. **Slasher / Mower boxes.** Gearboxes designed for Rotary Cutters (Slashers / Mowers.)
4. **Worm wheel speed reduction boxes.** Gearboxes designed to reduce input shaft speed on equipment like conveyors, mixers etc.
5. **Speed Multiplier gearboxes.** Gearboxes for increasing tractor PTO speed to run equipment like pumps, generators etc.
6. **PTO Speed Reducer/Incraser.** Specially designed gearbox for reducing 1000 rpm PTO to 540 rpm. Will also increase 540 rpm to 1000 rpm. Maintains original rotation of PTO output.

Please contact us today with your enquiry.

## Notes:

1. **GEARBOXES ARE SHIPPED WITHOUT OIL.** Please fill before use.
  2. Please refer to the safety and technical section for advice on appropriate gearbox selection.
- OEM enquiries welcome.

## SAFETY AND TECHNICAL

GEARBOXES / SAFETY AND TECHNICAL



### GEARBOX..

The gearbox is an important component in the drive line of many agricultural and industrial machines.

The most common use is to take rotary motion from a drive source such as a tractor PTO shaft or electric motor and apply this rotary motion to assist with the function of the machine.

Methods of application may include:

- Reverse direction of rotation
- Transmission of drive rotation at an angle.
- Changing speed or torque properties of the input drive.

### SAFETY.

When designing, modifying or repairing any machine SAFETY must be taken into account. Rotating shafts and driveline components can be hazardous. Appropriate guarding must be fitted and maintained at all times. Appropriate safety warning signs and instructions should also be supplied with the machine.

To assist with the attachment of guarding the general range of Aline Trading P/L gearboxes are supplied with threaded holes suitable for mounting safety guards. Aline Trading P/L also offer a selection of plastic bucket guards (sold separately) to further shield the drive line.

If you are unsure of the necessary safety requirements for your machine please seek further advice from a qualified mechanical design engineer or OH&S approved authority before proceeding with construction or use of the machine.

### LUBRICATION.

Gearboxes supplied by Aline Trading P/L are shipped without oil. This removes issues involved with shipping "Dangerous Goods" and allows the purchaser to select their preferred brand of oil.

**Warning:** Gearboxes **must** be filled with the appropriate volume of oil before running.

SAE 90EP (Extreme Pressure additive) oil is recommended by Aline Trading for our standard range of gearboxes. (See note below for worm wheel reduction gearboxes.)

The quantity of oil to use is determined by the level plug and is approximately indicated on our web site for each model.

Overfilling with oil does not improve the lubrication. In fact it can do the opposite by causing heat build-up and increased internal pressure.

Over heavy or thick oil can also cause overheating issues.

Recommended oil changes are after the first 50 hours and then periodically every 500 hours or as operating conditions may require.

**Note:** Worm wheel reduction gearboxes should be filled with the appropriate oil to the centre of the oil gauge before putting into service.

Excessive oil levels result in higher operating temperatures and are as undesirable as using too little oil.

After approximately 85 hours of operation the reducer must be drained, flushed thoroughly with light oil and refilled with fresh recommended oil. This flushing and refilling should be repeated every 2500 hours.

Aline Trading recommend SAE 320 oil for most normal applications.

### OPERATING TEMPERATURES.

Heat generated by the movement of the internal components of a gearbox during operation is a result of the power being applied. The temperature of the gearbox during operation will depend on its ability to exchange heat with the atmosphere and is related to the ambient conditions.

With ambient temperatures between -10 and +50 degrees C the temperature limit of the gearbox during normal working conditions is 90 degrees C.

This max operating temperature is set to prevent premature wear of the seals and to keep within the viscosity rating of the oil. Heat causes expansion of the air in the gearbox which increases internal pressure. Oil seals are normally capable of withstanding pressures up to 7.25 psi. This is why gearboxes designed for heavy duty applications are fitted with a breather plug to relieve the internal pressures as required.

## AUGER BOXES

GEARBOXES / AUGER BOXES

This selection of gearboxes, are designed specifically for use on grain handling augers. But can be used in other situations. The range includes standard fixed T designs, forward reverse models for direction change and a 45 degree angled box suitable for use on field bins.

Boxes from the general purpose section may also suit some applications.



## FRA8 FORWARD REVERSE

GEARBOXES / AUGER BOXES / FRA8 FORWARD REVERSE



The FRA8 1:1 ratio forward reverse gearbox is designed for use on grain handling augers. The gear selector allows for forward, reverse or neutral movement.

Its new design offers:

- Increased HP rating. Now 30 HP @ 540RPM.
- Improved gear selector and shaft assembly.
- Improved internal gear mechanism.
- Mounting holes for safety covers.
- Mounting bolt pattern allows for easy replacement of old Andiline FR100 model gearboxes.

**Warning:** The gearbox shafts should be stationary before selecting gears. Any movement of the shafts during this procedure can cause unnecessary wear of the selector mechanism and will shorten the working life of the gearbox.

**Note:** The standard model offered is the FRA8 which is a 3 shaft T design box.

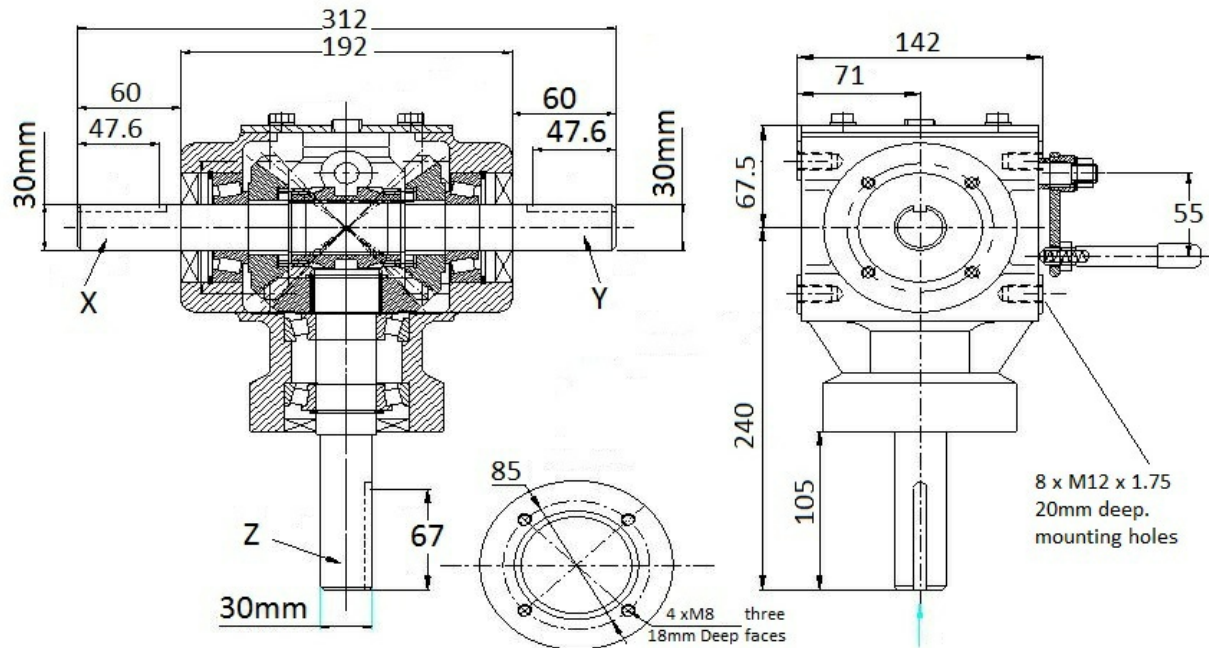
2 shaft or L versions are available for this gearbox only under volume OEM orders at this stage.

FRA8L. Left Hand output. Part AL01240

FRA8R. Right hand output. Part AL01237

<b>Part number</b>	AL01241
<b>Model</b>	FRA8
<b>Gear ratio</b>	1:1
<b>Power rating</b>	30HP (22KW) @ 540 rpm 46HP (33KW) @ 1000 rpm
<b>Input torque</b>	389NM @ 540 rpm 315NM @ 1000 rpm
<b>Output torque</b>	389NM @ 540 rpm 315NM @ 1000 rpm
<b>Unit weight</b>	16kg
<b>Mounting</b>	4 x holes at 88mm centres
<b>Shafts</b>	30mm diameter with 8mm key.
<b>Lubricant</b>	SAE 90 gear oil





## FRA821 FORWARD REVERSE REDUCTION

GEARBOXES / AUGER BOXES / FRA821 FORWARD REVERSE REDUCTION



The FRA821 forward reverse gearbox has a 2:1 reduction ratio that is designed for use on smaller grain handling augers.

New design offers:

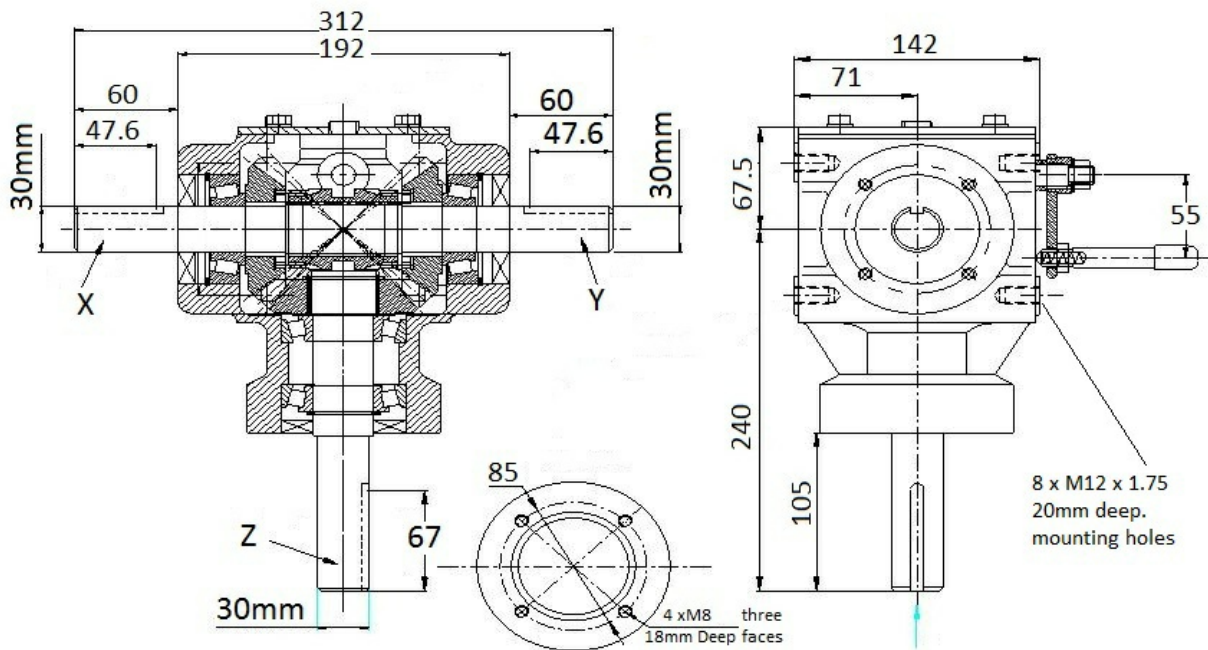
- Ability to reduce auger speed without the use of belts or chains. This requires less space and reduces related OH&S issues.
- As a replacement gearbox for old equipment the FRA821 allows for the use of new 1000rpm PTO tractors without the use of additional gearing. (Subject to HP requirement).
- Sturdy gear selector and shaft assembly.
- Strong internal gear mechanism.
- Mounting bolt pattern allows for easy replacement of old Andiline FR100 model gearboxes.

**Warning:** The gearbox shafts should be stationary before selecting gears. Any movement of the shafts during this procedure can cause unnecessary wear of the selector mechanism and will shorten the working life of the gearbox.

**Notes:-** The standard model FRA821 offered is a 3 shaft T design box. 2 shaft or L versions are available for this gearbox only under volume OEM orders at this stage.

- Because of the gearing design in this model the "Z" shaft must be used as the input shaft.

Part number	AL02694
Model	FRA821
Gear ratio	2:1 reduction
Power rating	16HP (11.8KW) @ 540 rpm 24HP (18KW) @ 1000 rpm
Input torque	208NM @ 540 rpm 172NM @ 1000 rpm
Output torque	416NM @ 540 rpm 344NM @ 1000 rpm
Unit weight	17kg
Mounting	4 x holes at 88mm centres
Shafts	30mm diameter with 8mm key.
Lubricant	SAE 90 EP gear oil



## FR150-2 FORWARD REVERSE

GEARBOXES / AUGER BOXES / FR150-2 FORWARD REVERSE



The FR150-2 forward reverse gearbox has a 1.5:1 reduction ratio that is designed for use on grain handling augers.

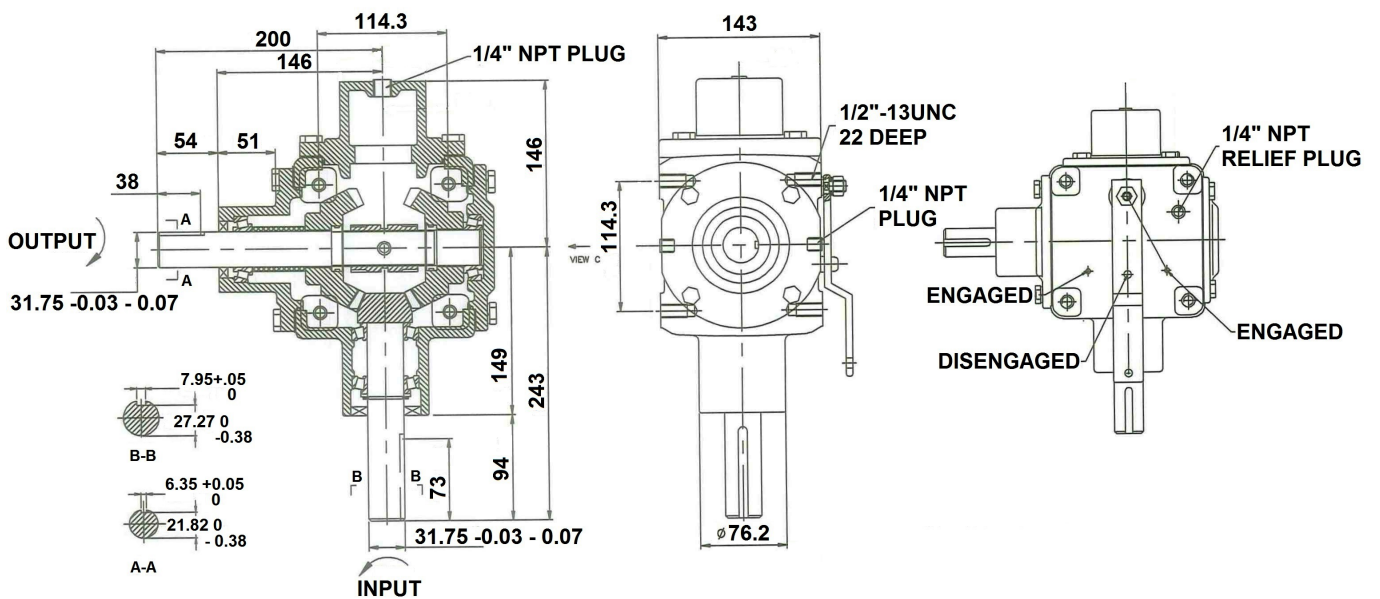
New design offers:

- Ability to reduce auger speed without the use of belts or chains. This requires less space and reduces related OH & S issues.
- Sturdy gear selector and shaft assembly.
- Strong internal gear mechanism.

**Warning:** The gearbox shafts should be stationary before selecting gears. Any movement of the shafts during this procedure can cause unnecessary wear of the selector mechanism and will shorten the working life of the gearbox.

Input via X shaft.

Part number	AL01219
Model	FR150-2
Gear ratio	1.5:1 reduction
Power rating	20 HP (KW) @ 540 rpm 30 HP (KW) @ 1000 rpm
Input torque	265 NM @ 540 rpm 215 NM @ 1000 rpm
Output torque	398 NM @ 540 rpm 322 NM @ 1000 rpm
Unit weight	23kg
Mounting	4 x holes at 114.3mm centres
Shafts	31.75mm diameter with 6.35mm key.
Lubricant	SAE 90 EP gear oil



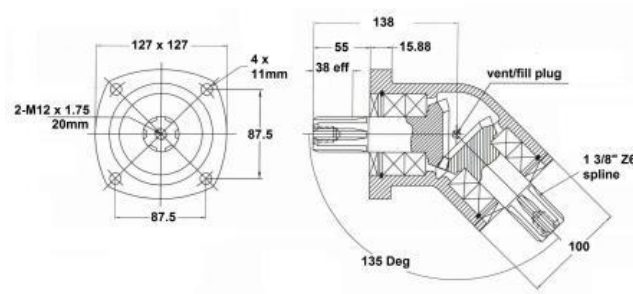
A45 - 15HP

GEARBOXES / AUGER BOXES / A45 - 15HP



The A45 gearbox is a compact 45 degree gearbox designed for use on grain bin / silo out feed augers.

<b>Part Number</b>	AL01262
<b>Model</b>	A45
<b>Power rating</b>	15HP @ 540 RPM
<b>Torque Rating</b>	198Nm @ 540 RPM
<b>Shafts</b>	1 3/8 6 spline
<b>Unit Weight - Dry</b>	8.4 Kg
<b>Lubricant</b>	SAE 90 EP Gear Oil Rec volume 0.2lt



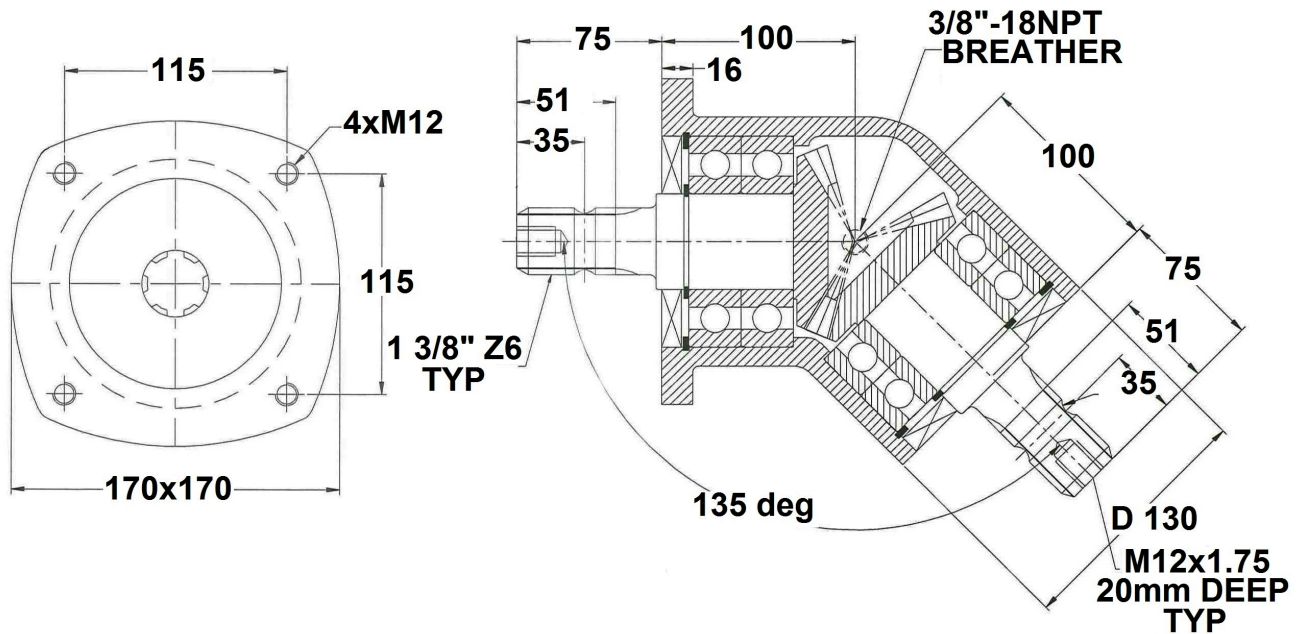
### B45 - 50HP

GEARBOXES / AUGER BOXES / B45 - 50HP



The B45 gearbox is a compact 45 degree gearbox designed for use on grain bin / silo out feed augers.

<b>Part Number</b>	AL01263
<b>Model</b>	B45
<b>Power rating</b>	50HP @ 540 RPM
<b>Torque</b>	654 Nm
<b>Shafts</b>	1 3/8 6 spline
<b>Unit Weight - Dry</b>	16.5 Kg
<b>Lubricant</b>	SAE 90 EP Gear Oil Rec volume = 0.5lt



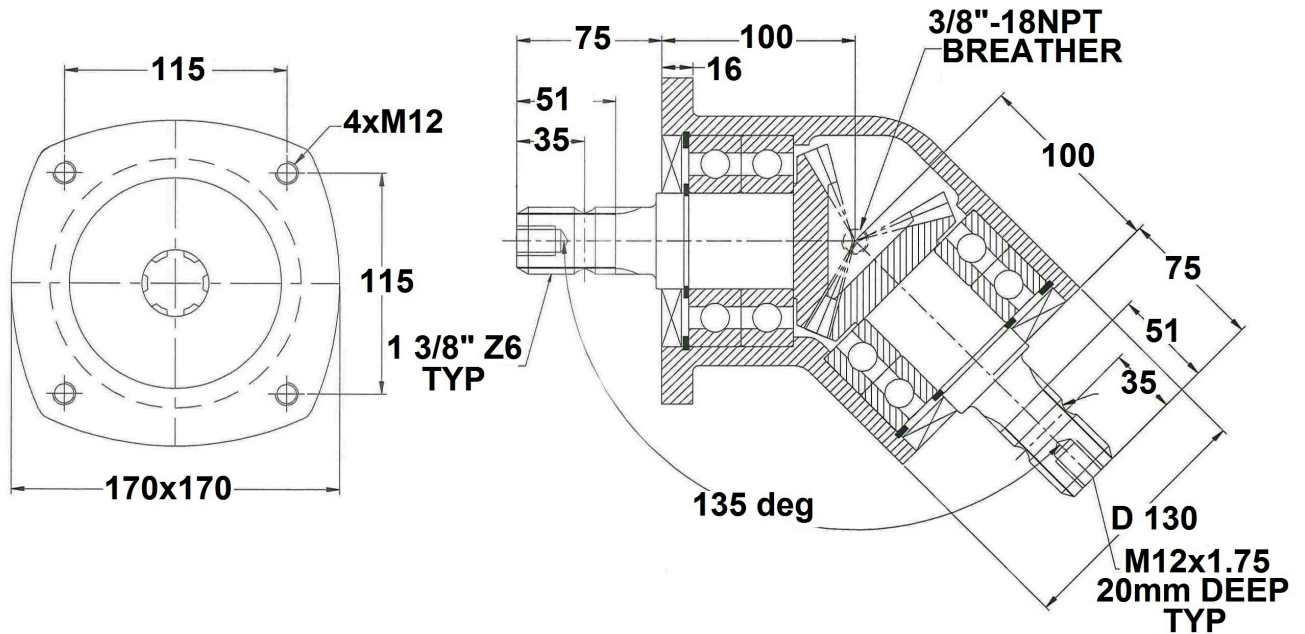
**B45-02-1 90HP**  
 GEARBOXES / AUGER BOXES / B45-02-1 90HP



The B45-02-1 gearbox is a compact 45 degree gearbox designed for use on grain bin / silo out feed augers.

<b>Part Number</b>	AL01264
<b>Model</b>	B45-02-1
<b>Power rating</b>	90 HP @ 540 RPM
<b>Torque</b>	540 Nm
<b>Shafts</b>	1 3/8 6 spline
<b>Gears</b>	Helical
<b>Bearings</b>	6310
<b>Unit Weight - Dry</b>	16.5 Kg
<b>Lubricant</b>	SAE 90 EP Gear Oil Rec volume = 0.5lt





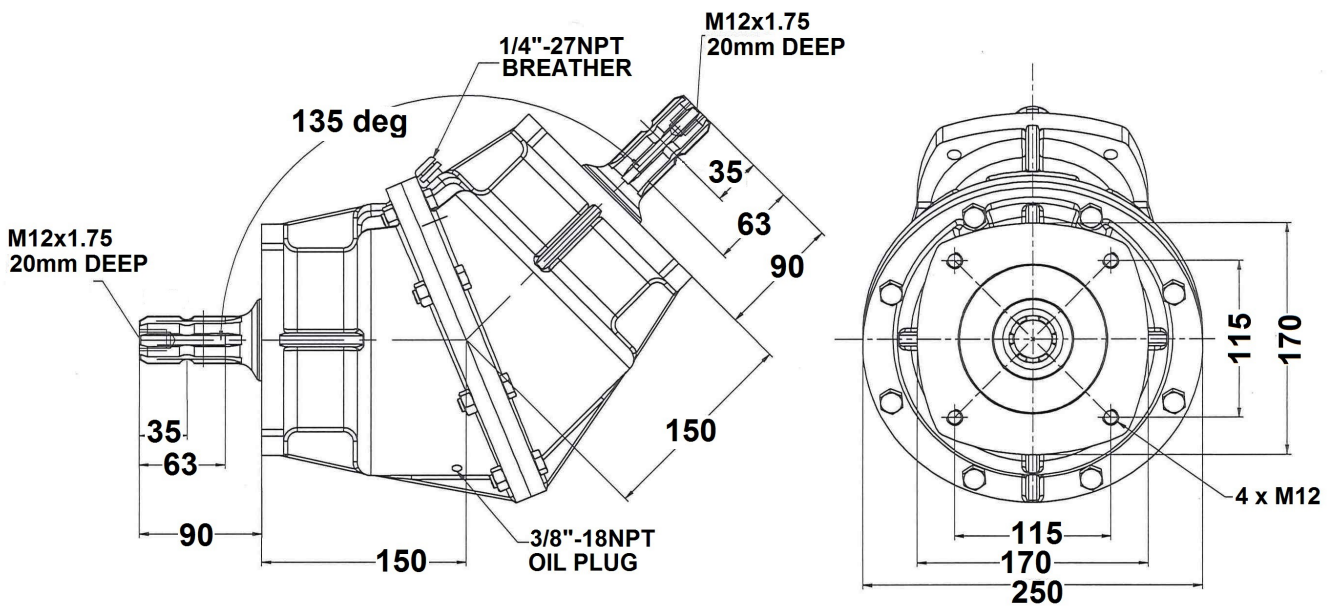
**B45-04-1 120HP**

GEARBOXES / AUGER BOXES / B45-04-1 120HP



The B45-04-1 gearbox is our largest 45 degree gearbox and is designed for use on large grain bins & silo out feed augers.

<b>Part Number</b>	AL01265
<b>Model</b>	B45-04-1
<b>Power rating</b>	120 HP @ 540 RPM
<b>Torque</b>	1591 Nm
<b>Shafts</b>	1 3/8 Z6 spline.
<b>Gears</b>	Bevel
<b>Unit Weight - Dry</b>	41.3 Kg
<b>Lubricant</b>	SAE 90 EP Gear Oil Rec volume = 1.0lt



**A3922FR**

GEARBOXES / AUGER BOXES / A3922FR



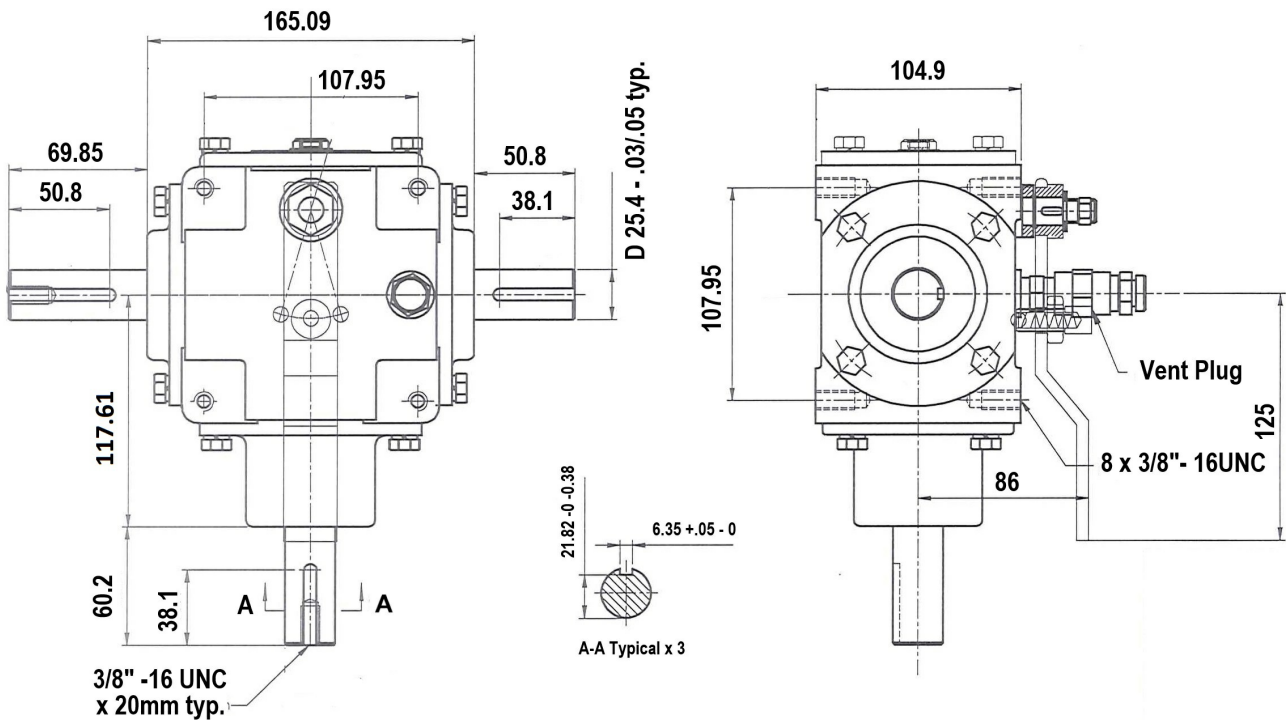
The A3922-FR gearbox is similar to the A3921 gearbox but with the added advantage of a forward / reverse function. Its compact size and strong cast iron housing makes it an ideal choice for use on grain augers.

Note: Can be used as a replacement gearbox for some imported augers.

Part No	Model	Input					Output		
		Ratio	R.P.M	HP	KW	NM	NM	RPM	Rotation
AL01718	A3922FR	1:1	540	20	15	265	265	540	Variable.
			1000	30	22.5	215	215	1000	
<b>Unit weight</b>		12.4 kg							
<b>Shafts</b>		3 x 1" diameter with 1/4" keyways							
<b>Mounting holes</b>		4 on 4.25" SQ pattern.							
<b>Lubricant</b>		SAE 90 gear oil. .4lt approx.							



to full screen.



## A81H

GEARBOXES / AUGER BOXES / A81H



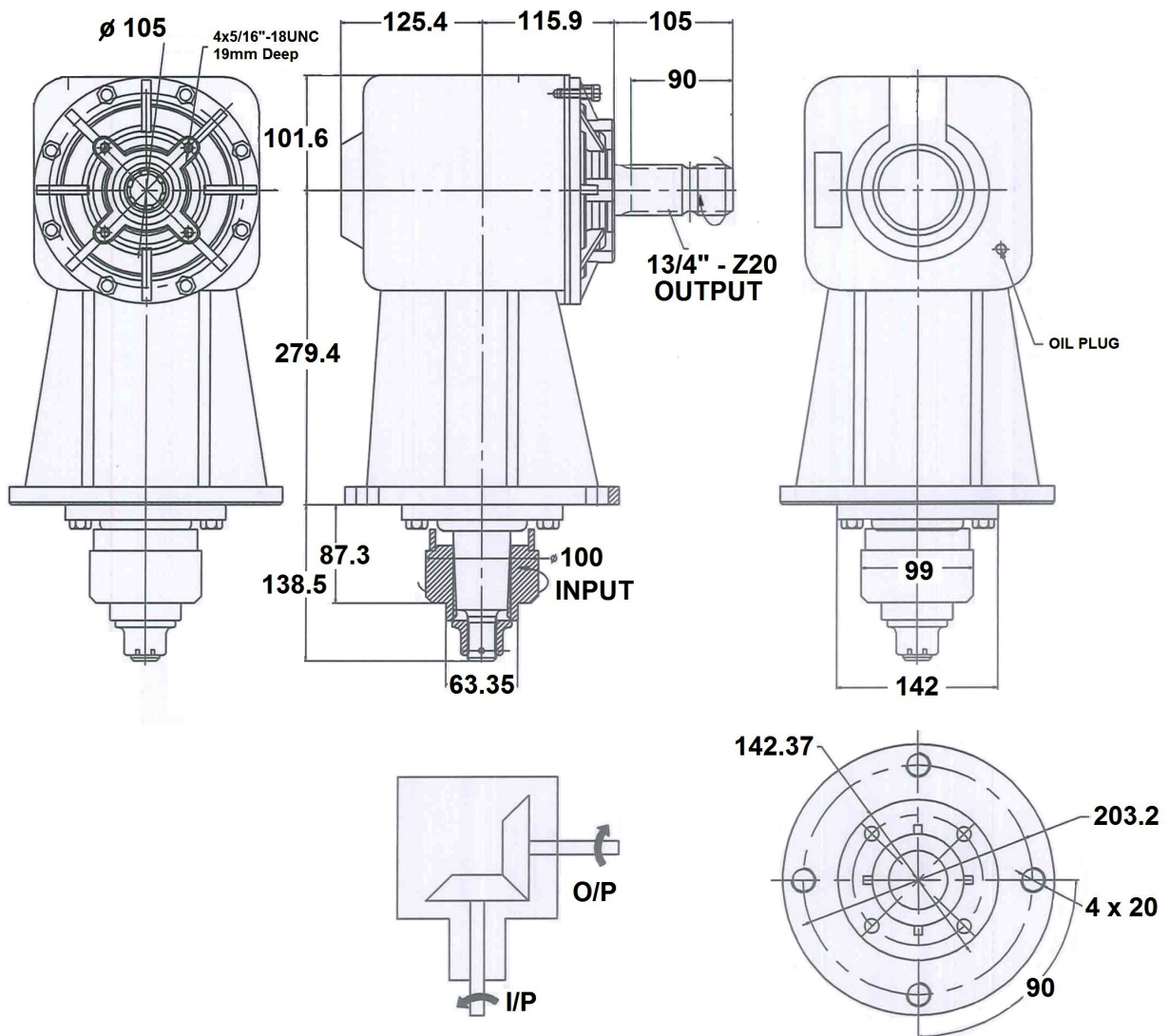
The A81H 1:1 ratio gearbox has been developed by Aline Trading P/L for auger drive applications like chaser bins that require higher horsepower .

### Notes:

- This gearbox is made with quality spiral bevel gears with helical teeth. The helical design produces less vibration and noise than conventional straight cut mitre gears making them suitable for higher operating speeds & H.P. The gearbox **MUST** be operated in the rotation as shown on our drawing. Spiral bevel gears are directional.

- Gearboxes are shipped without oil. Please fill with SAE 90 oil before use. Approx. 1.4lt.

Part No	INPUT @ 540 RPM		Output @ 1000 RPM	
	HP	Nm	HP	Nm
AL02708	133	1733	198	1400



New

GEARBOXES / AUGER BOXES / New



Table Header

## GENERAL PURPOSE GEARBOXES

GEARBOXES / GENERAL PURPOSE GEARBOXES



The range of general purpose gearboxes presented by Aline trading P/L are designed as a multi use generic gearbox making them suitable for a very wide range of applications in the agricultural and industrial markets.

The boxes are presented with a range of ratios and shaft configurations suitable for most traditional uses.

Please refer to the specification charts provided with each model for more detailed information.

## A10

GEARBOXES / GENERAL PURPOSE GEARBOXES / A10



### A10

The A10 gearbox is available with various gear ratios and shaft layouts to suit a wide range of applications, including, auger drives, spreaders, tarp winders and other agricultural or industrial applications.

A coated two piece alloy housing, gives strength and corrosion resistance while keeping weight to a minimum.

(Average dry weight = 5Kg.)

Shaft size = 25mm with keyway. An adaptor (AL01667) is available to convert to a 13/8Z6 splined shaft if required. See details below.

HP ratings vary with the gear ratio chosen and are based on an input speed of 540 rpm.

Input shaft = Z

Oil capacity = .35lt (aprox) - SAE 90EP

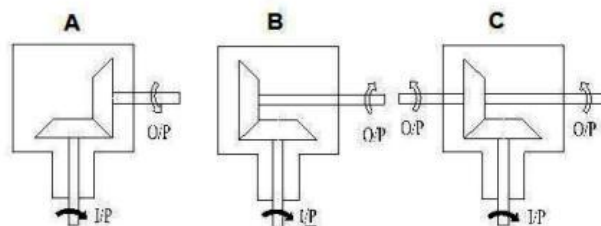
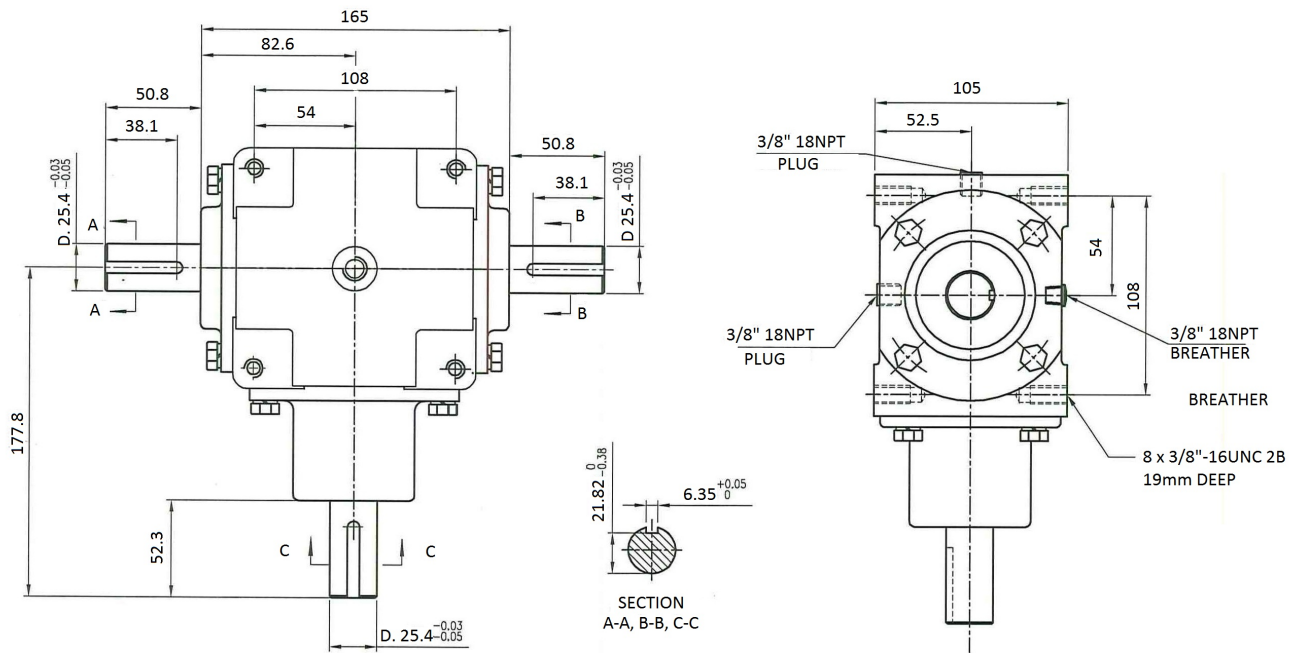
Part No	Model	Ratio	Input				Output					
			R.P.M	HP	Kw	NM	R.P.M	NM	Shafts			Rotation
									X	Y	Z	
AL01910	A10005A	1:1	540	15	11	195	540	195	X	-	X	A
			1000	23	17	162	1000	162				
AL01912	A10013A	1:1	540	15	11	195	540	195	-	X	X	B
			1000	23	17	162	1000	162				
AL01911	A10006A	1:1	540	15	11	195	540	195	X	X	X	C
			1000	23	17	162	1000	162				
AL01909	A10004A	1.9:1	540	9	7	117	284	222	-	X	X	A
			1000	14	10	98	526	187				
AL01914	A10019A	1.9:1	540	9	7	117	284	222	-	X	X	B
			1000	14	10	98	526	187				
AL01915	A10020A	1.9:1	540	9	7	117	284	222	X	X	X	C
			1000	14	10	98	526	187				
AL01919	A10111A	3.3:1	540	3	2.2	39	164	129	X	X	X	C
			1000	4.5	3.3	31.5	303	104				
AL01920	A10333A	3.3:1	540	3	2.2	39	164	129	-	X	X	A
			1000	4.5	3.3	31.5	303	104				
AL01918	A10032A	1:1.9	540	14	10	182	1026	96	X	X	X	C
			1000	22	16	155	1900	81				





The A3921 gearbox features a compact size and strong cast iron housing making it an ideal choice for use on a wide range of equipment.

Part No	Model	Input					Output		
		Ratio	R.P.M	HP	KW	NM	NM	RPM	Rotation
AL01717	A3921	1:1	540	20	15	265	265	540	C
			1000	30	22.5	215	215	1000	
<b>Unit weight</b>		10.6 kg							
<b>Shafts</b>		3 x 1" diameter with 1/4" keyways							
<b>Mounting holes</b>		4 on 4.25" SQ pattern.							
<b>Lubricant</b>		SAE 90 gear oil. .4lt aprox.							



**A8**

The A8 gearbox is available with various gear ratios and shaft layouts to suit a wide range of applications, including, auger drives, spreaders, pump drives & other Agricultural and Industrial applications.

A sturdy SG iron housing, combined with high quality shaft and gear materials make the A8 a reliable performer.

Average dry weight = 14Kg.

Shaft size = 30mm with keyway or splined 13/8Z6. Depending on the model.

HP ratings vary with the gear ratio chosen and are based on an input speed of 540 rpm.

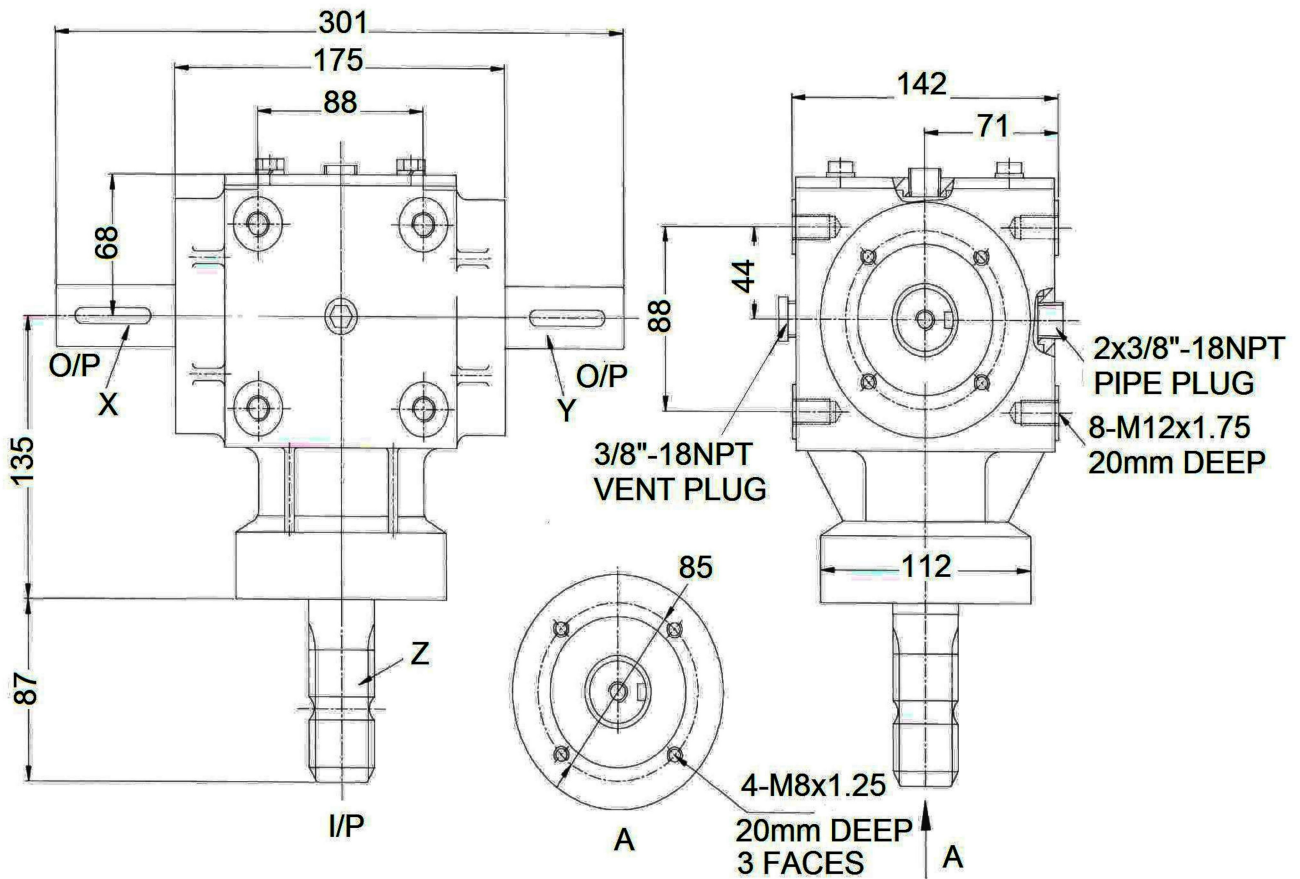
INPUT SHAFT = Z

Oil capacity = .8 lt (aprox) - SAE 90 EP gear oil.

Part No	Model	Ratio	Input				Output					
			R.P.M	HP	KW	NM	R.P.M	NM	Shafts			Rotation
									X	Y	Z	
AL01950	A8G918A	1:2	540	22	16.2	281	1080	140.5	2	2	1	C
			1000	33.7	25	238	2000	119				
AL01933	A8A007A	1:1	540	36	26.5	468	540	468	1	1	1	C
			1000	54	40	382	1000	382				
AL01938	A8B016A	1:1	540	36	26.5	468	540	468	2	2	2	C
			1000	54	40	382	1000	382				
AL01947	A8G032A	1:1	540	36	26.5	468	540	468	2	2	1	C
			1000	54	40	382	1000	382				
AL01949	A8G230A	1:1	540	36	26.5	468	540	468	-	2	1	A
			1000	54	40	382	1000	382				
AL01936	A8B010A	1.4:1	540	25	18.4	325	386	390	1	1	1	C
			1000	37.8	28	267	714	373				
AL01945	A8G010A	1.4:1	540	25	18.4	325	386	390	2	2	1	C
			1000	37.8	28	267	714	373				
AL01934	A8A013A	2:1	540	17	12.5	221	270	442	1	1	1	C
			1000	24.5	18.5	176	500	353				
AL01941	A8B021A	2:1	540	17	12.5	221	270	442	2	2	2	C
			1000	24.5	18.5	176	500	353				
AL01948	A8G037A	2:1	540	17	12.5	221	270	442	2	2	1	C
			1000	24.5	18.5	176	500	353				
AL01942	A8B045A	2.9:1	540	6	4	71	186	205	2	2	2	C
			1000	9	7	66	345	193				

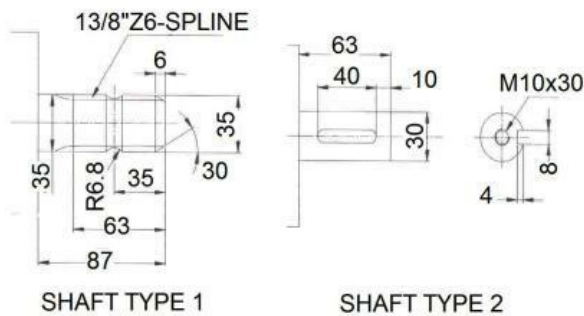






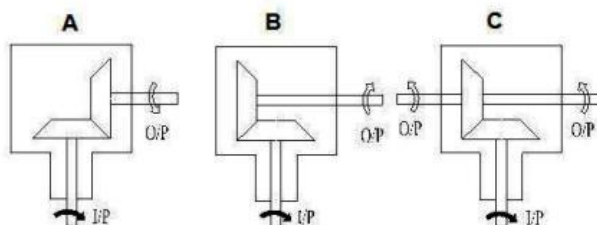
**Shaft type.**

The drawing below details the 2 shaft options available.



**Shaft Rotation.**

The drawing below explains the rotation direction for each box.



A9

GEARBOXES / GENERAL PURPOSE GEARBOXES / A9



A9  
25-102 HP.

The A9 gearbox is available with various gear ratios suitable for a wide range of applications, including, auger drives, field bins, mowers, pump drives and other Agricultural or Industrial applications.

A sturdy SG iron housing, combined with high quality shaft and gear materials make the A9 a reliable performer.

Average dry weight = 22Kg.

Shaft size = 1 3/8" Z6 spline. (540 PTO)

Input shaft = Z

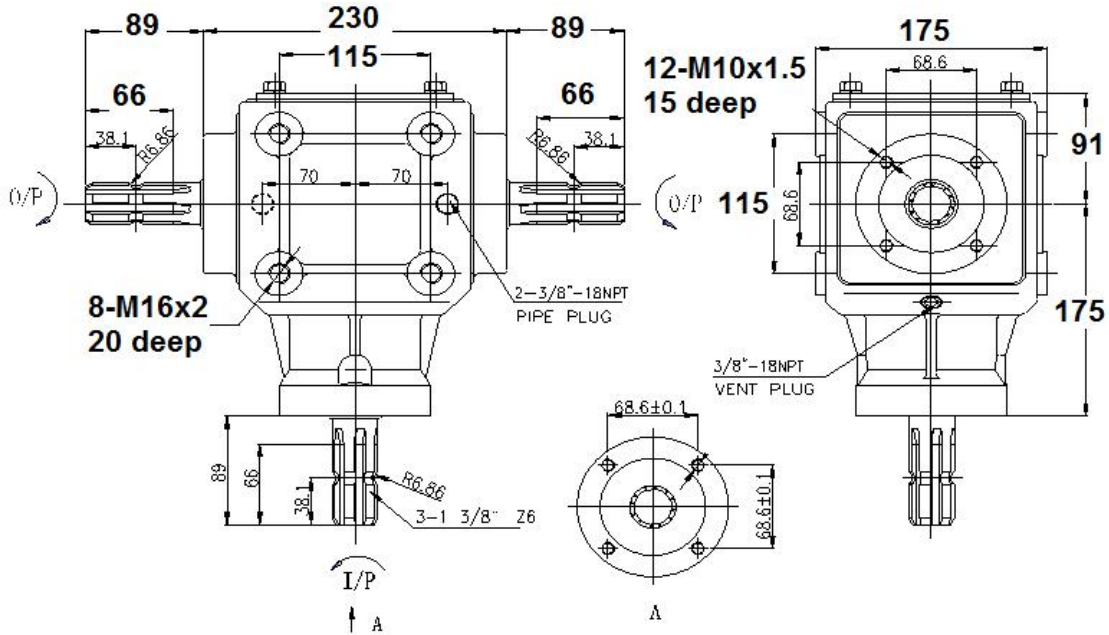
HP ratings vary with the gear ratio and input speed. (540 or 1000 rpm.)

Oil capacity = 1.2 lt (aprox) - SAE 90 EP gear oil.

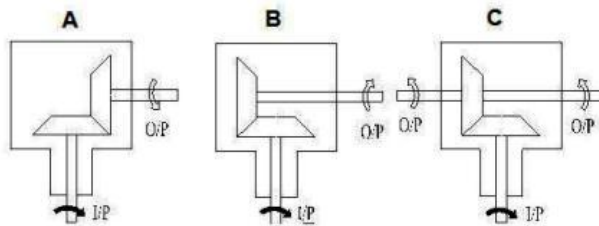
Part No	Model	Ratio	INPUT				OUTPUT		
			R.P.M	HP	KW	N.M	N.M	R.P.M	Ratation
AL01955	A9023	1:1.92	540	40	29	520	272	1037	C
			1000	62	46	436	228	1920	
AL01953	A9014	1:1.46	540	50	37	651	446	788	C
			1000	77	57	541	371	1460	
AL01952	A09010	1:1	540	66	49	859	859	540	C
			1000	102	75	717	717	1000	
AL01956	A9191	1.92:1	540	25	18	325	621	281	C
			1000	38	28	267	510	521	







The standard A11 boxes are supplied with a C rotation.



## A21

GEARBOXES / GENERAL PURPOSE GEARBOXES / A21



The A21 gearbox is available with various gear ratios suitable for a wide range of applications, including, field bins, mowers, pump drives and other Agricultural or Industrial applications.

A sturdy SG iron housing, combined with high quality shaft and gear materials make the A21 a reliable performer.

Average dry weight = 33Kg.

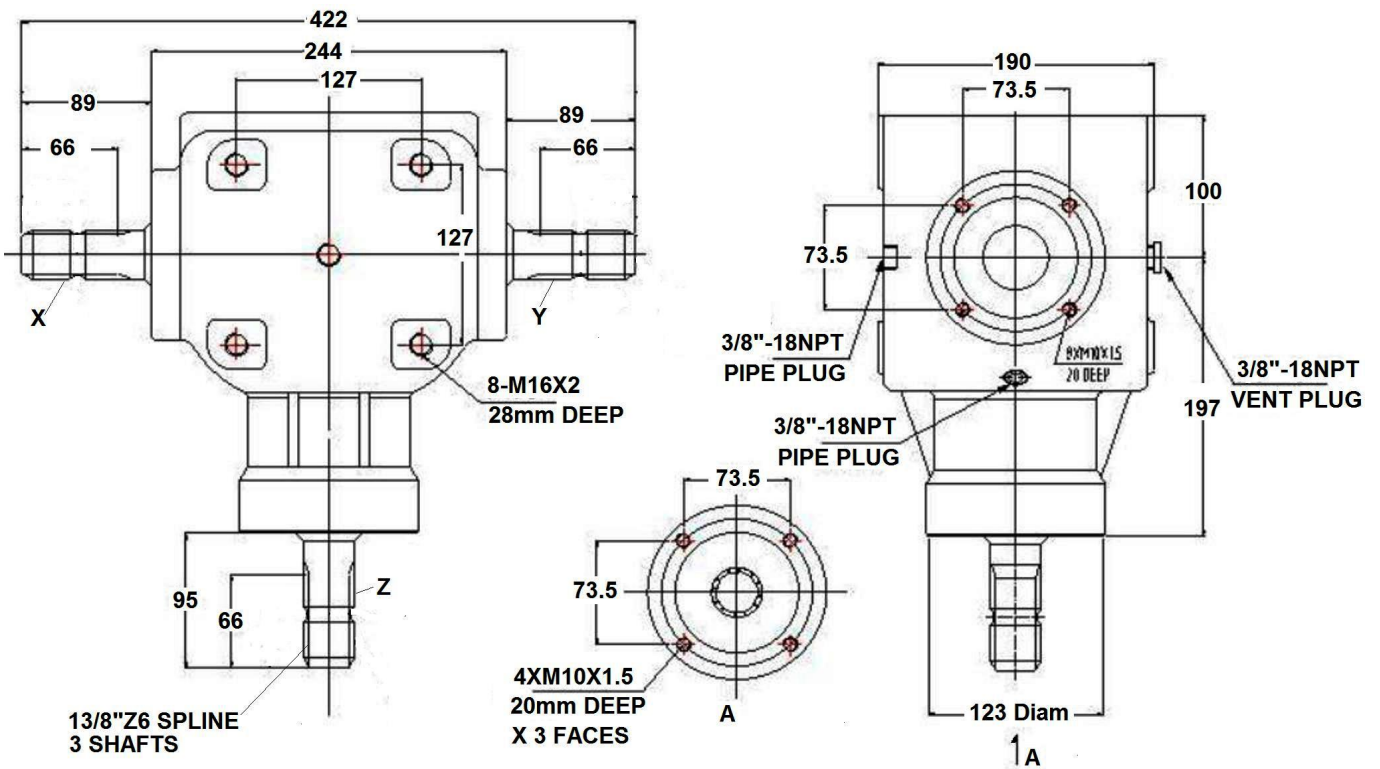
Shaft size = 1 3/8Z6 spline. (540 PTO)

Input shaft = Z

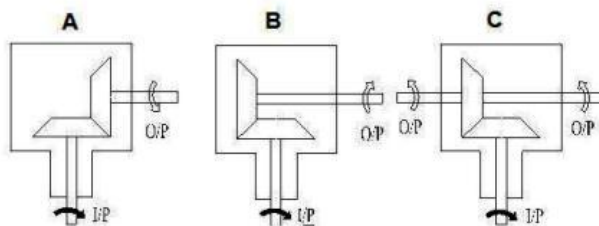
HP ratings vary with gear ratio and input speed. (540 or 1000 rpm.)

Oil capacity = 2.3lt (approx) - SAE 90 EP gear oil.

Part No	Model	Ratio	Input				Output		
			R.P.M	HP	KW	NM	R.P.M	NM	Rotation
AL01929	A21100	1:1	540	110	81	1431	540	1431	C
			1000	170	125	1194	1000	1194	
AL01752	A21192I	1:1.92	540	70	51	911	1037	474	C
			1000	108	79	759	1920	395	
AL01758	A21192D	1.92:1	540	45	33	585	281	1124	C
			1000	68	50	478	521	917	



The standard A21 gearboxes are supplied with a C rotation.





A21-H (High Speed) gearboxes are designed for applications requiring higher operating speeds than those offered by our standard range of agricultural gearboxes.

The gearboxes are made with quality spiral bevel gears with helical teeth. The helical design produces less vibration and noise than conventional straight cut mitre gears making them suitable for higher operating speeds & H.P.

(Average dry weight = 33Kg.)

Shaft sizes = 1 1/2" Plain with 1/2" keyway or 13/4 Z20 spline.

Input shaft = Z

Oil capacity = 2.3lt (approx.) - SAE 90 EP gear oil.

Note: Rotation must be as specified on the drawings.

AL01923



Part No AL01923

Ratio: 1:1

Input rotation = Anti Clockwise. Suitable for Agricultural PTO drive shafts.

A High Speed gearbox designed for applications requiring higher operating speeds than those offered by our standard range of agricultural gearboxes. The gearbox is made with quality spiral bevel gears with helical teeth. The helical design produces less vibration and noise than conventional straight cut mitre gears making them suitable for higher operating speeds.

(Average dry weight = 33Kg.)

Shaft size = 1 1/2" Z20 spline.

Oil capacity = 2.3lt (approx.) - SAE 90 EP gear oil.

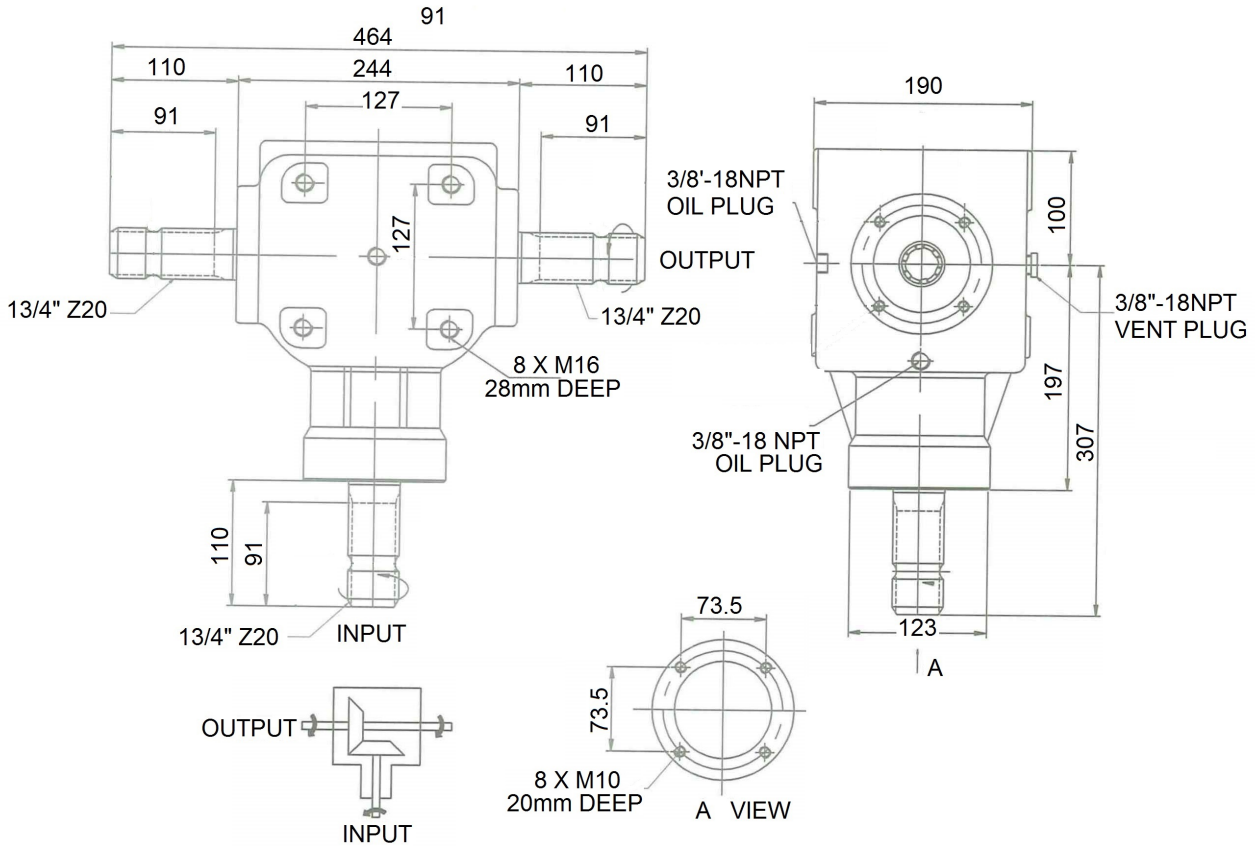
Notes:

: Rotation **MUST** be as specified on the drawings.

: Ratings given are approximate. Prototype testing may be required for specific applications.

Part No	Model	Ratio	Input				Output
			R.P.M	HP	KW	NM	NM
AL01923	A211100HSL	1:1	540	160	120	2122	2122
			1000	241	180	1719	1719
			1400	294	220	1500	1500
			1800	342	255	1352	1352
			2000	368	275	1313	1313





## AL01928

GEARBOXES / GENERAL PURPOSE GEARBOXES / A21 H / AL01928



### Part No AL01928

Ratio: 1.25:1 reduction.

Input rotation = Clockwise. Suitable for electric or fuel powered motors.

A High Speed gearbox designed for applications requiring higher operating speeds than those offered by our standard range of agricultural gearboxes. The gearbox is made with quality spiral bevel gears with helical teeth. The helical design produces less vibration and noise than conventional straight cut mitre gears making them suitable for higher operating speeds.

(Average dry weight = 33Kg.)

Shaft size = 1 1/2" Plain with 1/2" keyway

Oil capacity = 2.3lt (approx.) - SAE 90 EP gear oil.

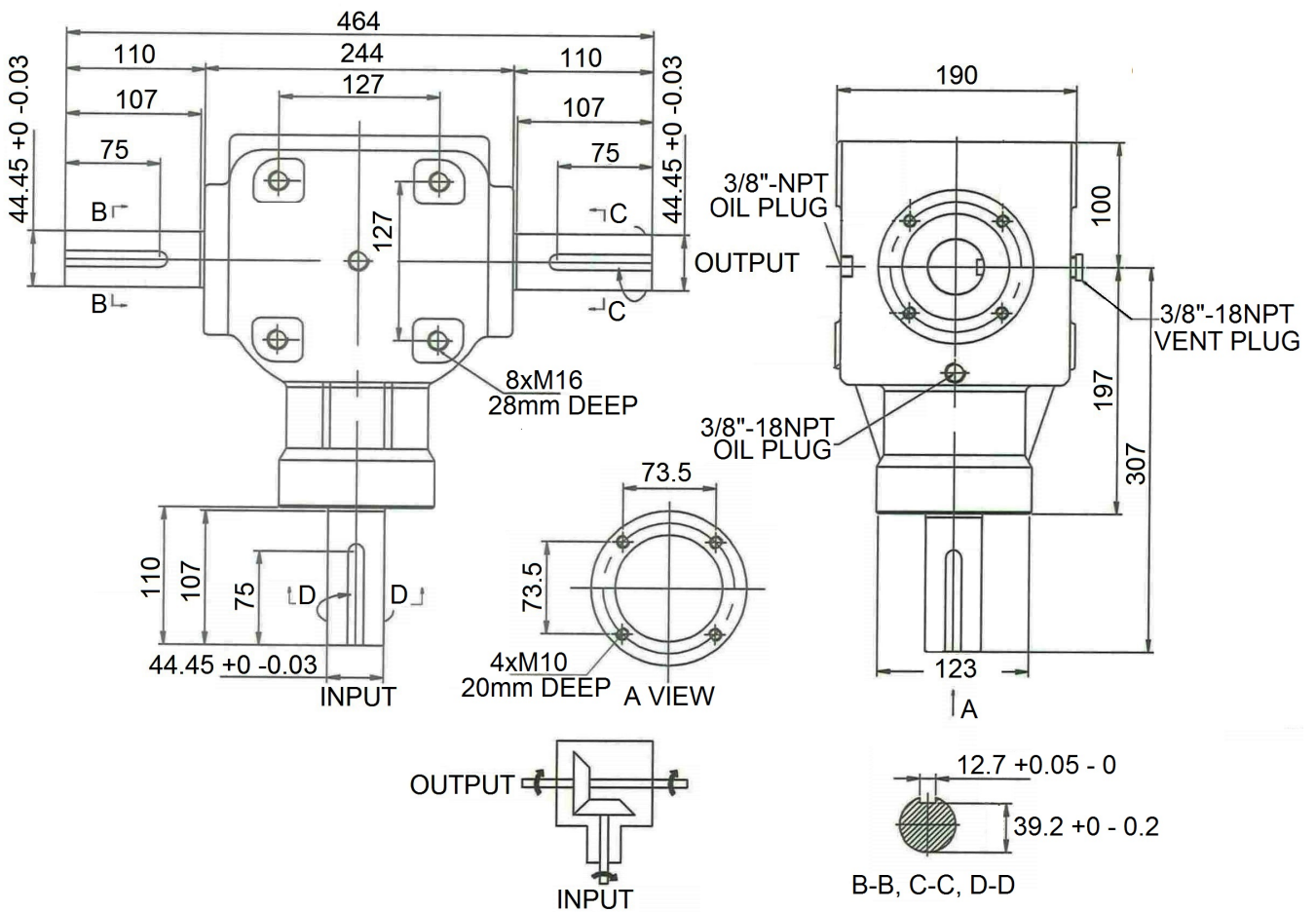
Notes:

: Rotation **MUST** be as specified on the drawings.

: Photo shows model with 6 spline shaft.

: Ratings given are approximate. Prototype testing may be required for specific applications.

Part No	Model	Ratio	Input				Output
			R.P.M	HP	KW	NM	NM
AL01928	A211251HSR	1.25:1	540	120	90	1591	1988
			1000	194	145	1384	1730
			1400	241	180	1227	1533
			1800	281	210	1114	1392
			2000	321	240	1046	1232



## A200

GEARBOXES / GENERAL PURPOSE GEARBOXES / A200



The A200 gearbox is suitable for a wide range of applications in the Agricultural market, including grain bins, mowers, pump drives and other Agricultural or Industrial applications where a larger gearbox is required.

A sturdy SG iron housing, combined with high quality shaft and gear materials make the A200 a reliable performer.

Average dry weight = 60 Kg.

Shaft size = 1 1/4 Z20 spline. ( 1000 rpm PTO)

Input shaft = Z

HP ratings vary with gear ratio and input speed. (540 or 1000 rpm.)

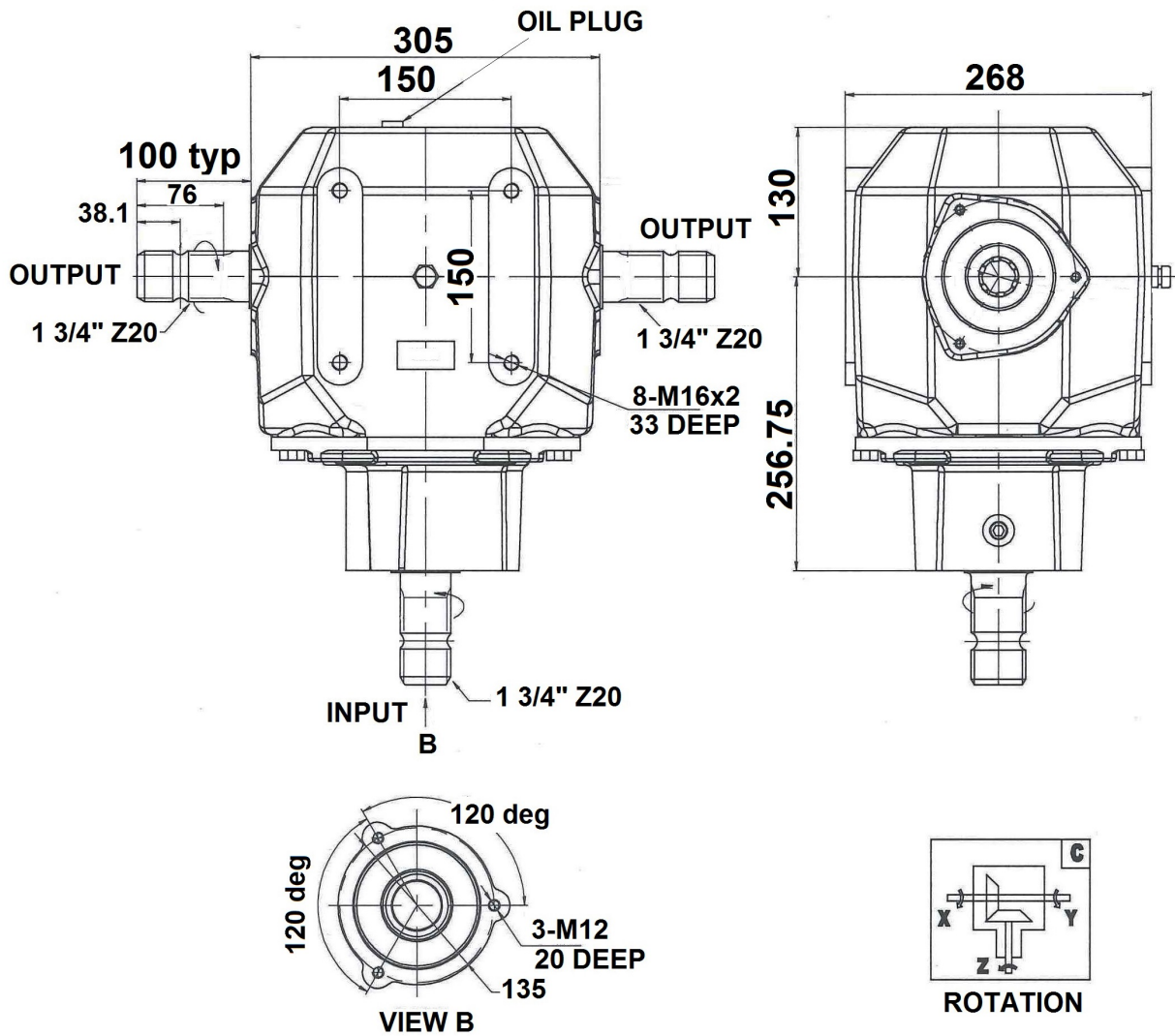
Oil capacity = 6.0 lt (approx.) - SAE 90 EP gear oil.

Note: 1:1 ratio now in stock. Other ratios to OEM order.



Part No	Ratio	INPUT				OUTPUT		
		R.P.M	HP	KW	N.M	N.M	R.P.M	Ratation
1:2.5	540	122	89.7	1586	634	1350	C	
	1000	183	134.5	1285	514	2500		
AL01968	1:1	540	204	149.9	2652	2652	540	C
		1000	300	220.5	2106	2106	1000	
AL01967	1.85:1	540	110	80.9	1430	2645	292	
		1000	170	125	1193	2208	541	
1.2:1	540	183	134.5	2379	2854	450	C	
	1000	275	202.1	1930	2316	833		
2.5:1	540	55	40.4	715	1787	216	C	
	1000	82	60.3	576	1439	400		





## PTO SPEED REDUCER

GEARBOXES / PTO SPEED REDUCER



The AL00630 gearbox is designed to alter the output speed of your tractor's PTO shaft. Its versatile design allows the gearbox to be used as either an increasing ratio or decreasing ratio gearbox to suit your needs.

As a decreasing ratio gearbox it will reduce 1000 rpm PTO shaft speed to 540 rpm allowing the use of equipment designed to operate at 540 rpm.

As an increasing ratio gearbox it will increase 540 rpm PTO shaft speed to 1000 rpm.

The AL00630 gearbox is assembled with 2 x internal splined sleeves. One 13/8"Z6 the other 13/4"Z20. These splined sleeves allow for direct coupling to your tractor's PTO shaft as the input. The gearbox is also supplied with 2 x separate shafts with matching splines. These are easily assembled to give you the required output shaft.

Notes:

- Although designed for attachment to a tractor's PTO shaft this gearbox can be used in other applications on agricultural machinery.
- A lug is supplied fitted to the base of the gearbox housing. This must be securely attached to your tractor by way of a chain or mounting plate to ensure the gearbox does not rotate during operation.
- Gearboxes are shipped without oil. Please fill to the level plug with EP90 gear oil before use. Approx 1.4lt
- This gearbox can be used on tractors with 13/8"Z21 (1000rpm) PTO shafts with the addition of our splined adaptor AL00296 (13/8"Z21 internal - 13/4"Z20 external). AL00296 adds 130mm to length of drive line.
- Unit weight. Approx 28 Kg.

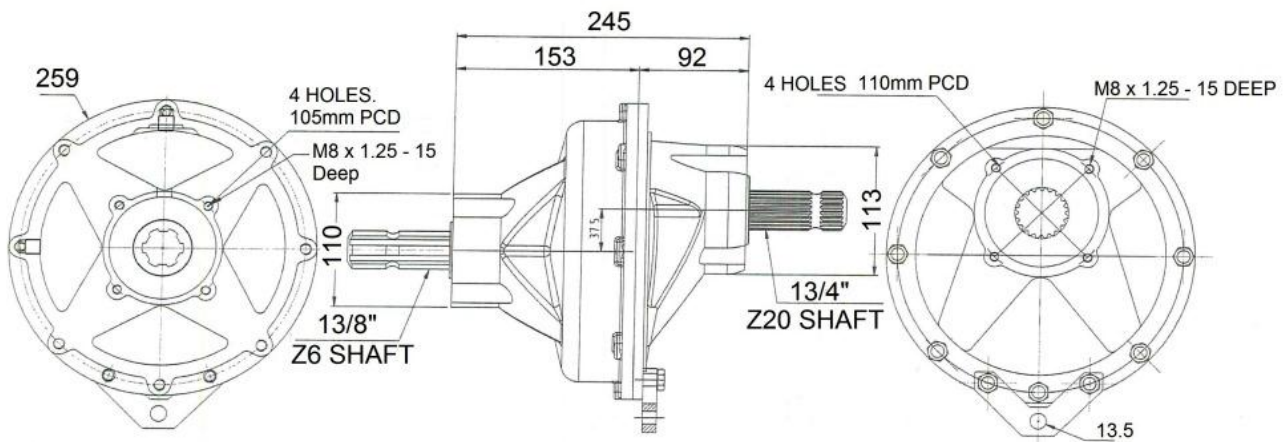
Part No	Model	Ratio	Input RPM	HP	KW	SHAFT TYPE			
						INPUT		OUTPUT	
AL00630	A1000D	1.88;1	540	105	78.3	13/4"Z20 SPLINED SLEEVE	13/4"Z20 SPLINED SHAFT	13/8"Z6 SPLINED SLEEVE	13/8"Z6 SPLINED SHAFT
			1000	120	89.5				
A10001	1:1.88	540	120	89.5	13/8"Z6 SPLINED SLEEVE	13/8"Z6 SPLINED SHAFT	13/4"Z20 SPLINED SLEEVE	13/4"Z20 SPLINED SHAFT	
		1000	120	89.5					

1.85:1 speed reducer with 13/8" Z6 splined output shaft.



1:1.85 speed increaser with 13/4"Z20 splined output shaft.

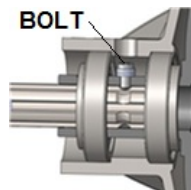




**NOTE: When fitting splined shafts.**

Take care when tightening the 4 x locking bolts inside the housing. These bolts fix the removable splined shafts in place.

- 1) Tighten bolts to avoid oil leaking during operation. (The bolts have a seal under their heads.)
- 2) Loosen the bolts only when fitting the shafts. **DO NOT** remove the bolts completely. If removed they may drop into the housing and cause a failure. The box must be disassembled to retrieve the bolts if this happens.



## SLASHER BOXES

GEARBOXES / SLASHER BOXES



Aline Trading P/L offer a range of gearboxes suitable for use on agricultural and industrial machinery including:

- Rotary Slashers.
- Rotary Cutters.
- Cotton choppers.
- Tree Cutters.
- Field bins

Please click on the model for below for more detailed information.

### A40 - 40 HP

GEARBOXES / SLASHER BOXES / A40 - 40 HP



The **A40** gearbox is designed for use on rotary slashers and other equipment up to 40HP.

**Features:**

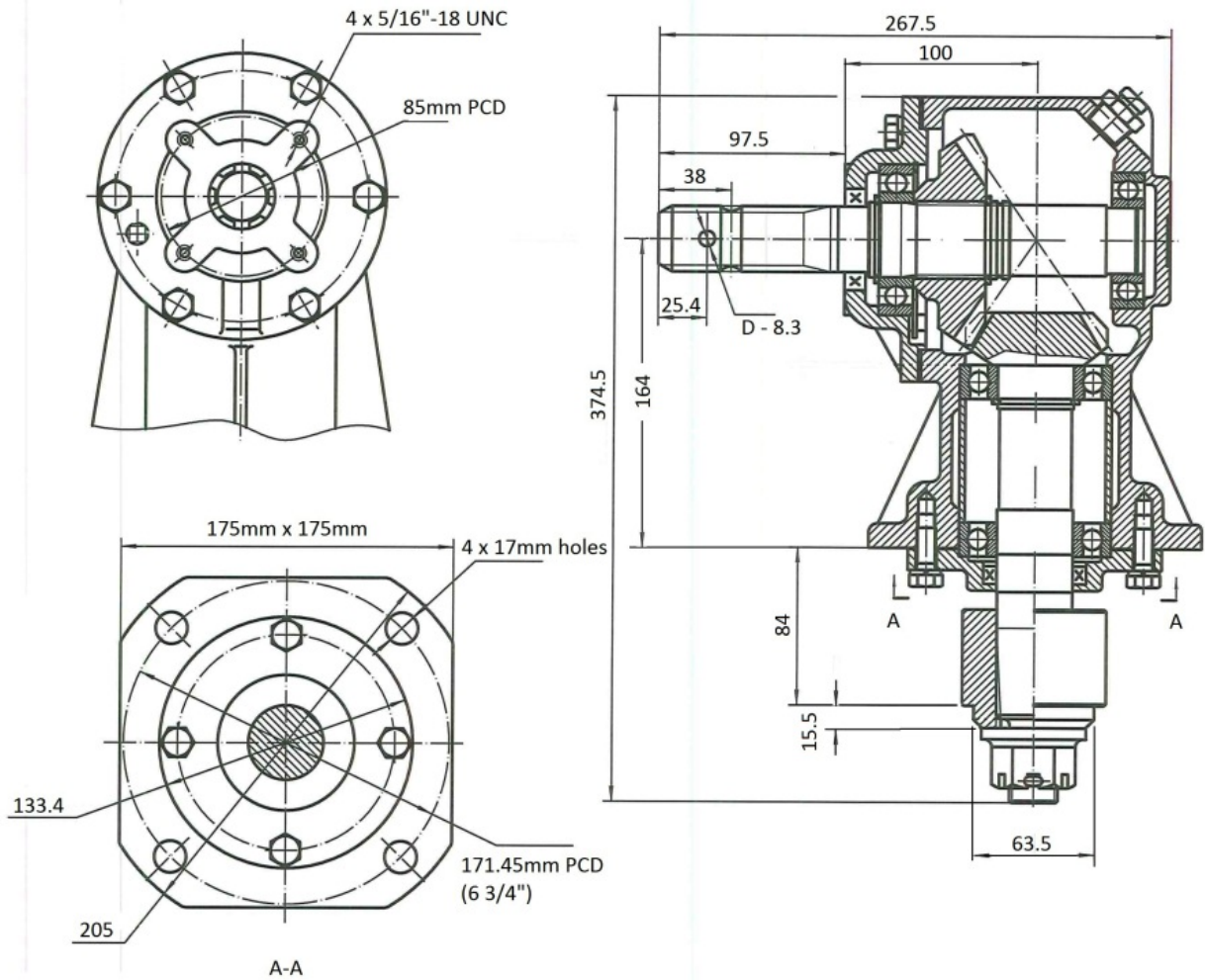
- Sturdy construction.
- Improved o/p shaft seal protection ring.
- Output shaft boss for attaching the cutter head. (Welding required.)

**NOTE: GEARBOXES ARE SHIPPED WITHOUT OIL.** Please fill before use.

SPECIFICATIONS	
Part No	Description
AL00911	L Box Similar rotation.
AL00912	L Box Opposite rotation.
AL00913	T Box Thru shaft.
Gear Ratio	1.93: 1 Increasing
Input speed	540 RPM
Weight	21.7 Kg Aprox
Lubricant	SAE EP 90 Gear Oil. 1.2lt Aprox Gearboxes are shipped without oil. Please fill before use.

Right angled L Box. Shown below.





T style thru box AL00913 shown below.



**Rotary Cutter speeds.**

Normal agricultural input shaft speed is 540 RPM. Care must be taken when selecting a gear box for your application. If the blades rotate too slowly they may not cut properly. If the blades rotate too fast you may also experience cutting problems however excessive speed is more likely to cause damage to the machine or serious injury to the operator.

The chart below shows the tip speed in feet per minute for some commonly used cutter blade diameters. This is a guide only to assist you with the selection of your gearbox.

BLADE DIAMETER	TIP SPEED (Feet per minute)
3'6"	11,479
4'	13,119
4'6"	14,759



Aline Trading P/L

The **A70** gearbox is designed for use on mid-sized rotary cutters, field bins and other applications. Horse power ratings vary from 65 HP to 110 HP depending on the gear ratio and input shaft speed.

**Features :**

- Sturdy construction.
- Improved output shaft seal protection ring.
- Output shaft boss for attaching the cutter head. (Welding required.)
- Tapper Roller bearings.

**NOTE: GEARBOXES ARE SHIPPED WITHOUT OIL.** Please fill before use.

SPECIFICATIONS							
P/No	Ratio	540 RPM		1000 RPM		Rotation	Input Shaft
		H.P	Torque	H.P	Torque		
AL00662	1:1	-	-	110	6944	Opposite	13/8"Z6
AL00664	1:1	-	-	110	6944	Similar	13/8"Z6
AL00669	1:1.46	75	8753	-	-	Opposite	13/8"Z6
AL00675	1:1.93	65	7586	-	-	Opposite	13/8"Z6
AL00677	1:1.93	65	7586	-	-	Opposite	13/4"Z20
AL00702	1:1.93	65	7586	-	-	Dual	13/8"Z6
<b>Bearings</b>	Taper Roller						
<b>Lubricant</b>	SAE 90 EP Gear Oil 1.12 lt approx. Gearboxes are shipped without oil. Please fill before use.						
<b>Weight</b>	38 kg aprox						

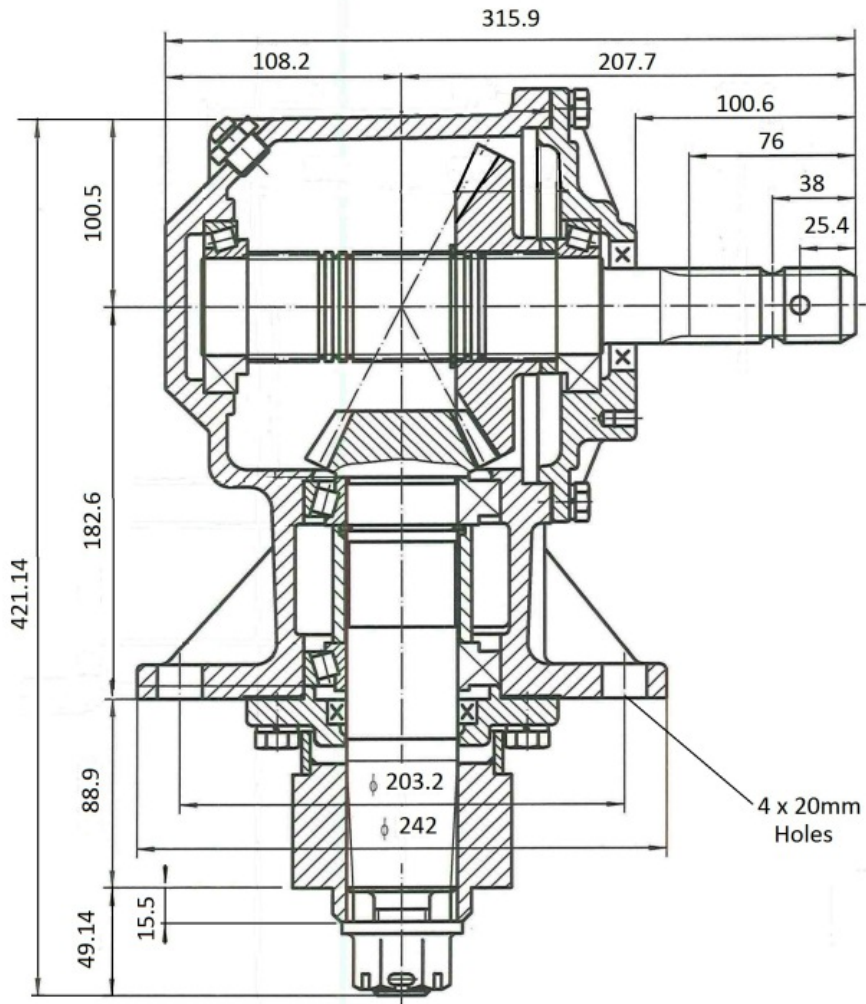
- Not recommended at this input speed.

**Rotary Cutter speeds.**

Normal agricultural input shaft speeds are 540 or 1000 revâ€™s per minute depending on the tractor being used. Because of this variation of input speed care must be taken when selecting a gear box for your application. If the blades rotate too slowly they may not cut properly. If the blades rotate too fast you may also experience cutting problems however excessive speed is more likely to cause damage to the machine or serious injury to the operator.

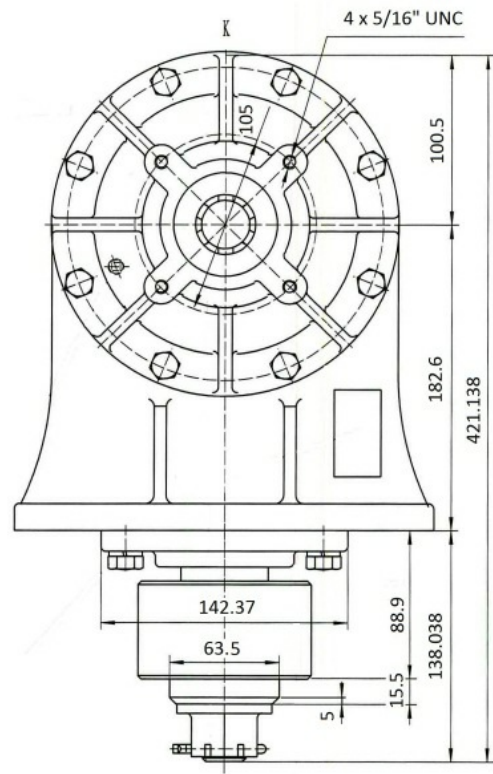
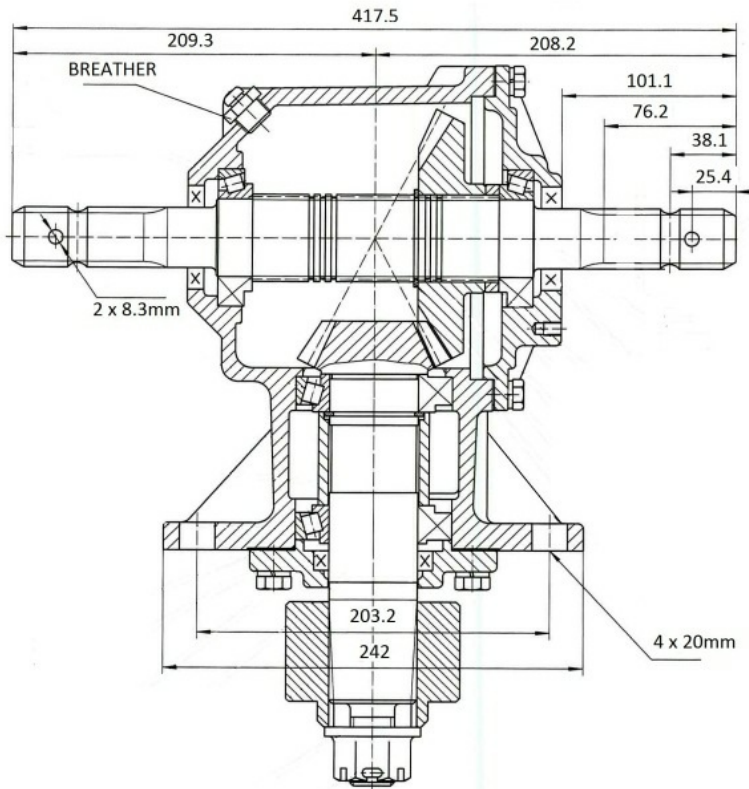
The chart below shows the tip speed in feet per minute for some commonly used cutter blade diameters. This is a guide only to assist you with the selection of your gearbox. You will see that some models are marked as not recommended for the reasons covered above.

ROTARY CUTTER - SPEED SELECTION								
P/No	Ratio	Input		Output				
		RPM	Recommended Yes / No	Blade Tip Speed ft/minute				
				4'	4.5'	5'	5.5'	6'
AL00662	1:1	540	No	-	-	-	-	-
AL00664		1000	Yes	12588	14162	15735	17309	-
AL00669	1.46:1	540	Yes	9,924	11,165	12,405	13,646	14,887
		1000	No	-	-	-	-	-
AL00675	1:1.93	540	Yes	13,119	14759	16399	-	-
AL00677		1000	No	-	-	-	-	-
AL00702								



AL00702 - A70 Thru shaft gearbox.





## A81 - 90HP - 160 HP

GEARBOXES / SLASHER BOXES / A81 - 90HP - 160 HP



AlineTrading Pty Ltd.

The **A81** gearbox is designed for use on:

Rotary cutters, Cotton Choppers, Slashers, Tree cutters, field bins and other applications.

Horse power ratings vary from 90 HP to 160 HP depending on the gear ratio and input speed.

### Features :

- 13/4" Z20 splined input shaft.
- Sturdy construction.
- Improved output shaft seal protection ring.
- Output shaft boss for attaching the cutter head. (Welding required.)
- Tapper Roller bearings.

**NOTE: GEARBOXES ARE SHIPPED WITHOUT OIL.** Please fill before use.

SPECIFICATIONS						
P/No	Ratio	Rotation	540 RPM		1000 RPM	
			HP	Torque	HP	Torque
AL02702	1:1	Similar	-	-	150	9454
AL02707	1:1	Opposite	-	-	150	9454
AL00705	1:1.46	Opposite	120	14006	-	-
AL02559	1:1.93	Opposite	90	10504	-	-
<b>Bearings</b>	Taper Roller					
<b>Lubricant</b>	SAE 90 EP gear Oil. 1.39 lt approx. Gearboxes are shipped without oil. Please fill before use.					
<b>Weight</b>	53 Kg approx.					

- Not recommended at this input speed.

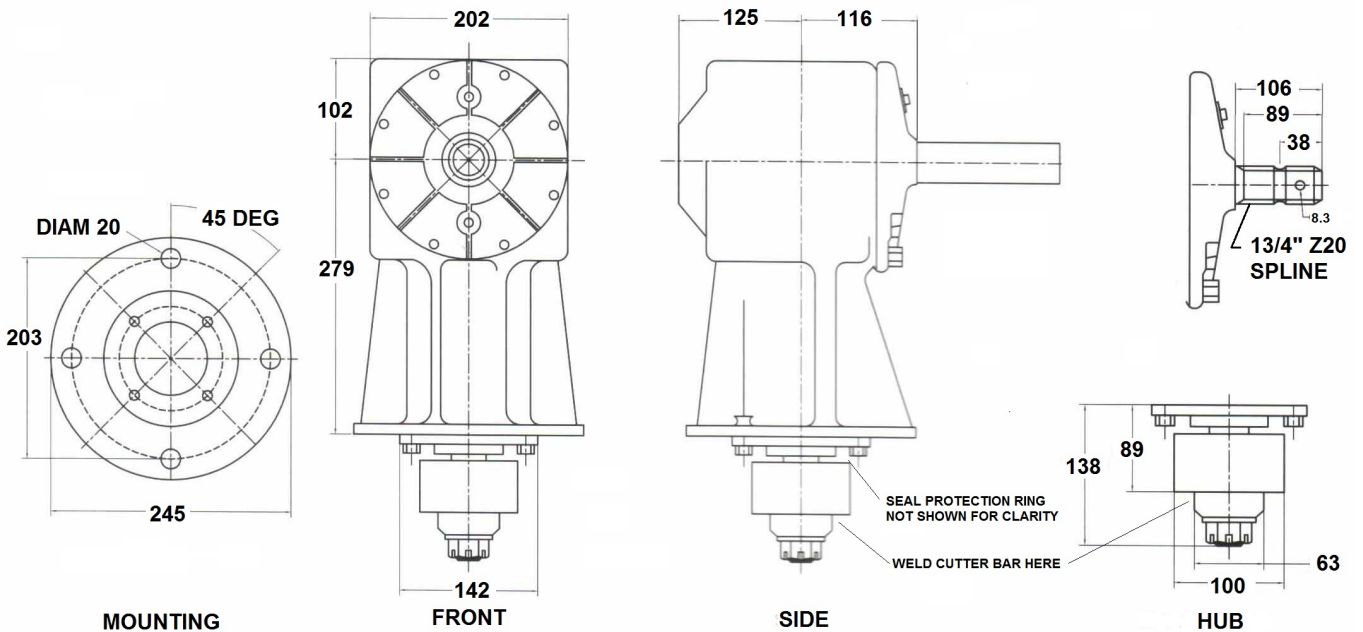
### Rotary Cutter speeds.

Normal agricultural input shaft speeds are 540 or 1000 revs per minute depending on the tractor being used. Because of this variation of input speed care must be taken when selecting a gear box for your application. If the blades rotate too slowly they may not cut properly. If the blades rotate too fast you may also experience cutting problems however excessive speed is more likely to cause damage to the machine or serious injury to the operator.

The chart below shows the tip speed in feet per minute for some commonly used cutter blade diameters. This is a guide only to assist you with the selection of your gearbox. You will see that some models are marked as not recommended for the reasons covered above.

ROTARY CUTTER - SPEED SELECTION

P/No	Ratio	Input		Output					
		RPM	Recommended Yes / No	Blade Tip Speed ft/minute					
				4'	4.5'	5'	5.5'	6'	7'
AL02702 AL02707	1:1	540	No	-	-	-	-	-	-
		1000	Yes	12588	14162	15735	17309	18882	-
AL00705	1:1.46	540	Yes	9924	11,165	12,405	13,646	14,887	17368
		1000	No	-	-	-	-	-	-
AL02559	1:1.93	540	Yes	13051	14683	16314	17945	19577	-
		1000	No	-	-	-	-	-	-



A130 - 95-192 HP

GEARBOXES / SLASHER BOXES / A130 - 95-192 HP



Aline Trading Pty Ltd.

The **A130** gearbox is designed for use on Rotary Slashers, Cotton Choppers, Finishing Mowers, and other applications where a strong reliable gearbox is required.

Horse power ratings vary from 95 HP to 192 HP depending on the gear ratio and input speed.

**Features:**

- 1 3/4" Z20 splined input shaft.
- Sturdy construction.
- Triple Lip Spring Loaded Seals.
- Heavy gearing for maximum tooth strength.
- Improved oiling system to access bearings.
- Easy servicing via large access cover.
- Improved output shaft seal protection.
- Large output shaft boss for attaching the cutter head. (Welding required.) Allows for higher side loading and impact resistance. Also protects the output shaft nut.
- Tapper Roller bearings.

**NOTE: GEARBOXES ARE SHIPPED WITHOUT OIL.** Please fill before use.

SPECIFICATIONS.						
Part No	Input				Output	
	R.P.M	Hp	KW	N.m Torque	R.P.M	N.m Torque
AL00730	540	120	89.2	1573	540	1573
	1000	180	133.8	1278	1000	1278
AL00731	540	110	82	1450	794	986
	1000	165	122	1165	1470	792
AL00732	540	95	67	1326	1042	690
	1000	142.5	100	955	1930	494
Lubriant	SAE 90 EP Gear oil. Capacity aprox 1.8 lt Gearboxes are shipped without oil. Please fill before use.					
Rotation	Opposite					
Weight	55 Kg					

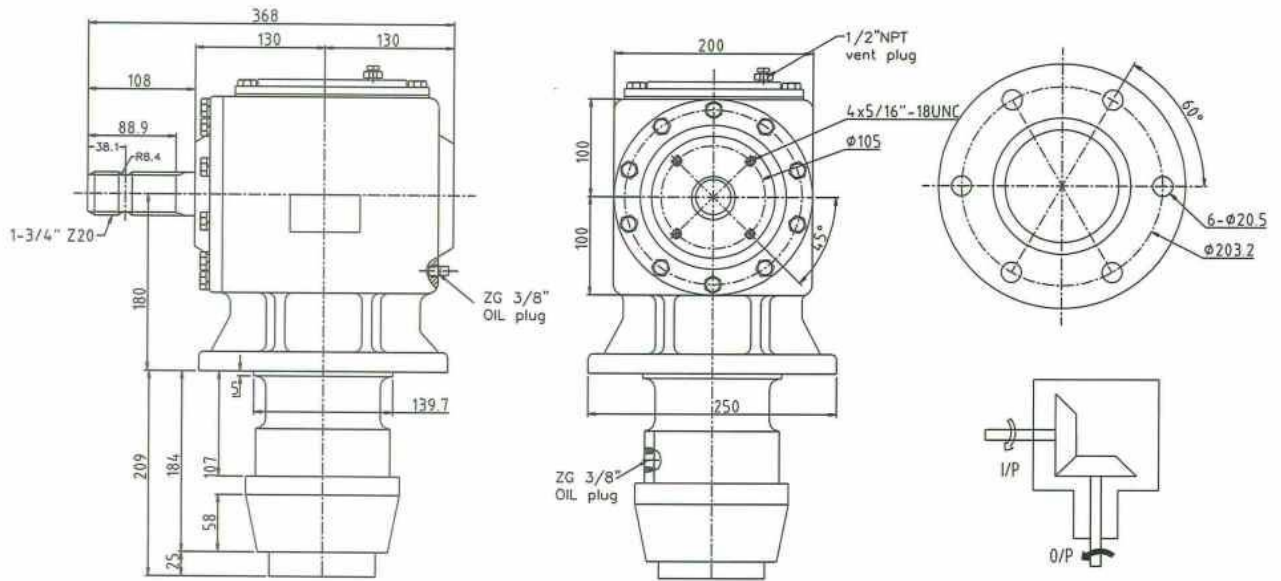
**Rotary Cutter speeds.**

Normal agricultural input shaft speeds are 540 or 1000 revâ€™s per minute depending on the tractor being used. Because of this variation of input speed care must be taken when selecting a gear box for your application. If the blades rotate too slowly they may not cut properly. If the blades rotate too fast you may also experience cutting problems however excessive speed is more likely to cause damage to the machine or serious injury to the operator.

The chart below shows the tip speed in feet per minute for some commonly used cutter blade diameters. This is a guide only to assist you with the selection of your gearbox. You will see that some models are marked as not recommended for the reasons covered above.

ROTARY CUTTER - SPEED SELECTION									
P/No	Ratio	Input		Output					
		RPM	Recommended Yes / No	Blade Tip Speed ft/minute					
				4'	4.5'	5'	5.5'	6'	7'
AL00730	1:1	540	No	-	-	-	-	-	-
		1000	Yes	12588	14162	15735	17309	18882	-
AL00731	1:1.46	540	Yes	9,924	11,165	12,405	13,646	14,887	17368
		1000	No	-	-	-	-	-	-
AL00732	1:1.93	540	Yes	13051	14683	16314	17945	-	-
		1000	No	-	-	-	-	-	-





## A150D - 150 HP

GEARBOXES / SLASHER BOXES / A150D - 150 HP

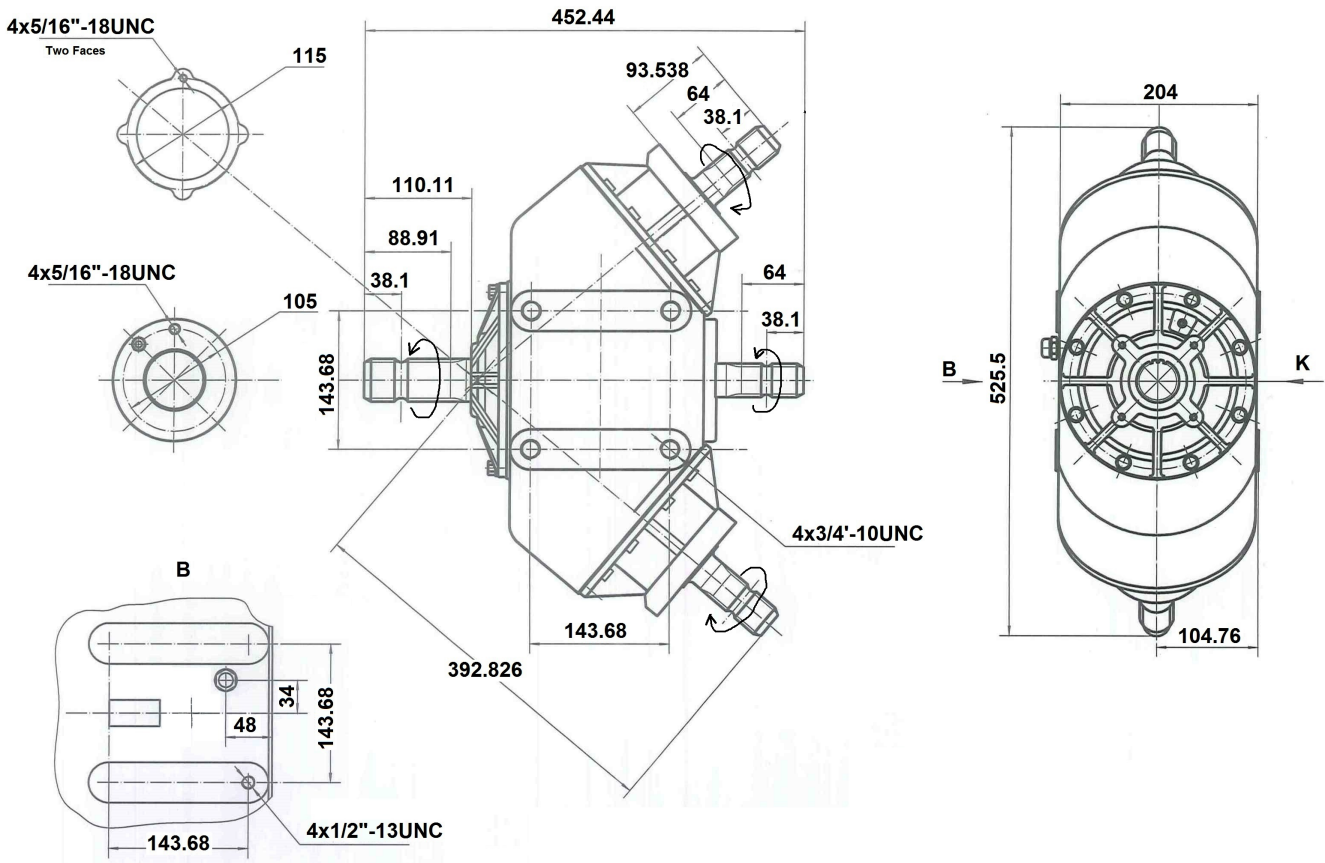


150 HP power divider gearbox, suitable for use on multi head slashers.

**NOTE: GEARBOXES ARE SHIPPED WITHOUT OIL.** Please fill before use.

Part No	AL00729
Gear Ratio	1:1
HP at 1000 RPM input.	200
O/P torque at 1000 RPM	1424Nm
HP at 540 RPM input.	135
O/P Torque at 540 RPM.	1780 Nm
Shafts	13/4"Z20





## SPEED MULTIPLIER GEARBOXES

GEARBOXES / SPEED MULTIPLIER GEARBOXES



AM10 Speed Multiplier Gearboxes.

The primary purpose of these gearboxes is to increase the output speed of your tractors 540 r.p.m P.T.O to enable you to drive equipment like pumps, sprays, generators etc., that need to be run at higher speeds than the standard 540 rpm produced by the tractor.

Input shafts = 1 3/8 6 Spline.

Output shafts = 35mm with 10mm keyway.

Oil = SAE90 Aprox 3.4 lt (Shipped without oil)

Unit weight = Aprox 41Kg

Notes:

1. Direction of rotation is reversed.
2. Oil sight glass may need to be relocated (swapped with blanking plug) to the upper position if mounting on end or side of housing.
3. These boxes can be run in reverse to reduce speeds however the H.P rating of the boxes will be greatly reduced. Please see table below for details.

## AM7

GEARBOXES / SPEED MULTIPLIER GEARBOXES / AM7



## AM9

GEARBOXES / SPEED MULTIPLIER GEARBOXES / AM9



## AM10

GEARBOXES / SPEED MULTIPLIER GEARBOXES / AM10



AM10 Speed Multiplier Gearboxes.

The primary purpose of these gearboxes is to increase the output speed of your tractors 540 r.p.m P.T.O to enable you to drive equipment like pumps, sprays, generators etc., that need to be run at higher speeds than the standard 540 rpm produced by the tractor.

Input shafts = 1 3/8 6 Spline.

Output shafts = 35mm with 10mm keyway.

Oil = SAE90 Aprox 3.4 lt (Shipped without oil)

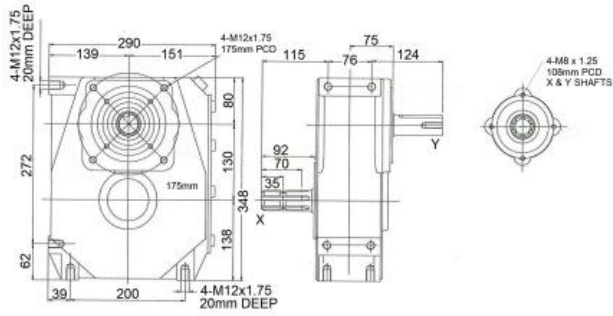
Unit weight = Aprox 41Kg

Notes:

1. Direction of rotation is reversed.
2. Oil sight glass may need to be relocated (swapped with blanking plug) to the upper position if mounting on end or side of housing.
3. These boxes can be run in reverse to reduce speeds however the H.P rating of the boxes will be greatly reduced. Please see table below for details.

PART No	RATIO	SPEED MULTIPLIER					
		INPUT				OUTPUT	
		R.P.M	HP	KW	NM	R.P.M	NM
AL00412	1:1	540	85	62.5	1127	540	1112
AL00413	1:1.48	540	90	66	1193	799	796
AL00414	1:2	540	90	66	1193	1080	589
AL00415	1:2.5	540	85	62.5	1127	1350	445
AL00416	1:3	540	85	62.5	1127	1620	370
AL00417	1:3.8	540	85	62.5	1127	2052	292
AL00418	1:5	540	80	58.8	1061	2700	209
AL00419	1:6	540	80	58.8	1061	3240	174
AL00420	1:7	540	65	47.8	862	3780	121





SPEED REDUCER							
PART No	RATIO	INPUT				OUTPUT	
		R.P.M	HP	KW	NM	R.P.M	NM
AL00413	1.48:1	540	60	44	795	364.8	1162
AL00414	2:1	540	48	35.2	636	270	1256
AL00415	2.5:1	540	35	25.7	464	216	1145
AL00416	3:1	540	30	22	398	180	1178
AL00417	3.8:1	540	23	16.9	305	142	1144
AL00418	5:1	540	18	13.2	239	108	1178
AL00419	6:1	540	14	10.2	185	90	1100
AL00420	7:1	540	12	8.8	159	77	1100

## SPREADER GEARBOXES

GEARBOXES / SPREADER GEARBOXES



Fertilizer spreaderâ€™s are often ground or PTO driven and include a gearbox in their drive assembly.

Some use a regular gearbox like the ones shown in our general purpose gearbox section, while others require a specialised box with shafts designed for the application.

NOTE: Specific designs can be developed for O.E.M volume orders.

## A08

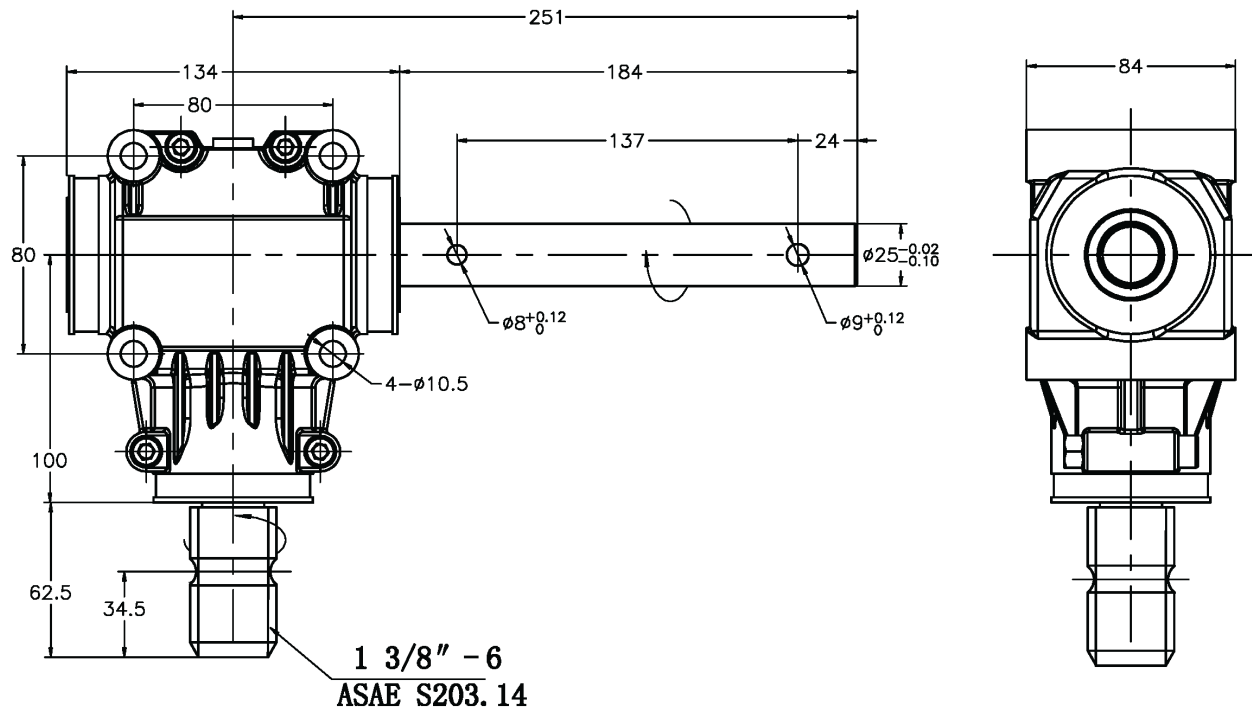
GEARBOXES / SPREADER GEARBOXES / A08



The AL01669 gearbox is designed for use on small, PTO driven fertilizer spreaders.

Part No	Model	Weight KG	Input					Output			
			Ratio	R.P.M	HP	KW	Nm	Nm	RPM	Rotation	
AL01669	A08	2.42	1:1	540	11	8	145	145	540	OPPOSITE	





## WORM WHEEL SPEED REDUCTION BOXES

GEARBOXES / WORM WHEEL SPEED REDUCTION BOXES



Aline Trading P/L presents a comprehensive range of quality worm wheel reduction gearboxes suited to many applications and industries.

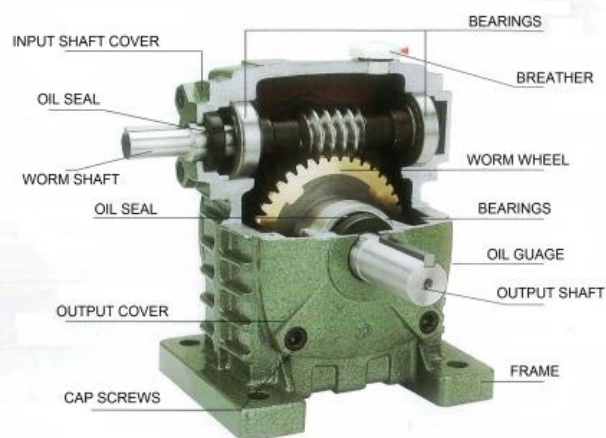
The variety of worm wheel reduction gearboxes used in the Agricultural and industrial markets is extensive. Aline Trading P/L stock the more commonly requested items, mostly single start up to 60:1 reduction. Less common items, volume orders and special builds are available to order. Typical lead times on these orders are 8-10 weeks.

Please send us your enquiry today.

**When Ordering a Worm Wheel Reduction Gearbox please specify the following:**

1. Worm frame size.
2. Gear ratio.
3. Input motor information. Power, speed (RPM), type. If flange mount electric motors please specify the mount details/dimensions required.
4. Mounting arrangement required.
5. Output shaft arrangement.

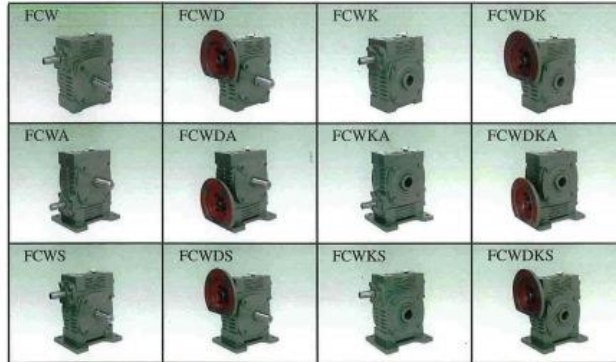
Note: Special care should be taken when selecting the correct gearbox for your application. Please refer to the selection information included in this section to assist you with the selection.



Single reduction gearboxes.

Ratios: 5:1 à€" 10:1 à€" 15:1 à€" 20:1 à€" 25:1 à€" 30:1 à€" 40:1 à€" 50:1 à€" 60:1





Double reduction gearboxes.  
Ratios: 80:1 - 3600:1



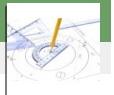


Size 250 shown beside Size 40



## TECHNICAL INFORMATION

GEARBOXES / WORM WHEEL SPEED REDUCTION BOXES / TECHNICAL INFORMATION



### Selection

Care should be taken when selecting a Worm wheel reduction gearbox for a new application. There are many factors that can affect the service life of the unit. The correct selection must be made to ensure the efficiency of the reducer.

Some of these factors including service, load, torque etc. are shown in the following information.

Note: THESE RATINGS ARE ONLY A GUIDE. Ratings shown are compiled using standard engineering procedures. Aline Trading P/L does not guarantee ratings in specific applications. Prototype testing of every application is recommended before production.

### Size

Worm wheel reduction gearboxes are made in many styles and sizes. The size of the gearbox is referred to as the "Frame Size". The frame size is the distance measured between the centre lines of the input and output shafts in mm. This size increases with the capacity of the gearbox and is often shown on the side of the main housing as a number in raised lettering. E.G., 60.

The standard frame sizes offered in our range of single start boxes are:

40 " 50 " 60 " 70 " 80 " 100 " 120 " 135 " 155 " 175 " 200 " 250

### Gear Ratio.

Once the frame size has been established you must then select the gear ratio. Gear ratios offered in our range of single reduction boxes are:

5:1 " 10:1 " 15:1 " 20:1 " 25:1 " 30:1 " 40:1 " 50:1 " 60:1

These ratios are available in all frame sizes.

Larger ratios are available in the more advanced models.

### Input Shaft Speed

General input shaft speed is 600-1500 RPM. The maximum is 1800 RPM.

The minimum speed of 300 RPM is shown on most charts does not illustrate the lowest recommended input speed. The unit will run efficiently at speeds down to and below 100 rpm with greatly reduced horsepower capacity. Low speeds may also affect the efficiency of lubrication.

Worm boxes are generally driven by a drive motor but can also be used with a hand drive device when required.

### Output Shaft Speed.

Depends on the input shaft speed and the reduction ratio.

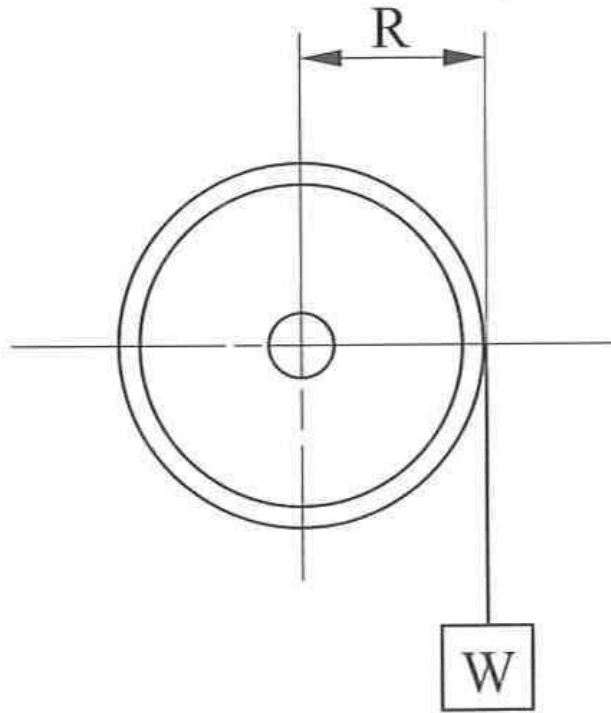
### Torque

The transmission torque of the reducer depends upon the force that causes the output shaft to rotate and the rotary radius. See diagram below.

Note:

Maximum momentary (starting) torque is limited to 25% of rated capacity.

$$T = W \times R$$



#### Efficiency

Efficiency calculations may be made by dividing HP OUTPUT by HP INPUT.

When only the output torque and input horsepower is known, the output torque may be converted to HP by the following:

HP Output = Output Torque x RPM Output divided by 63,025

#### Thermal Capacity

The thermal capacity of the Aline unit = the maximum capacity that it can operate at a temp not exceeding 80 deg C. Operation over this temp will require additional cooling provisions.

A run in period of approx. 50 hours is normally required for worm type reducers.

#### Lubrication.

The reducer should be filled with the appropriate oil to the centre of the oil gauge before putting into service.

Excessive oil levels result in higher operating temperatures and are as undesirable as using too little oil.

After approximately 85 hours of operation the reducer must be drained, flushed thoroughly with light oil and refilled with fresh recommended oil.

This flushing and refilling should be repeated every 2500 hours.

We use and recommend SAE 320 oil for most normal applications.

#### Overhung Load

Shaft or housing damage can be caused by excessive overhung load on the output shaft. The O.H.L should be included in calculations for new applications.

OVERHUNG LOAD FACTOR	
Type of Drive	O.H.L factor
Sprocket	1.00
Gear	1.25
V-Belt	1.50
Fiat Belt	2.50

LOAD CLASSIFICATIONS	
<b>Uniform Load</b>	<b>Free From Shock</b>
Conveyors	Uniform Loads
Pumps	Centrifugal, Rotary
Compressors	Vane Type
Mixers	Constant Density
<b>Moderate Shock</b>	<b>Occasional Light</b>
Conveyors	Not Uniform feed
Pumps	Reciprocating
Mixers	Variable Density
<b>Heavy Shock Load</b>	<b>Constant Shock</b>
Conveyors	Not uniform feed
Hammer Mills	
Crushers	

SERVICE FACTORS				
Prime Mover	Duration of Service Per Day. (1)	Driven Machine Load Classification		
		Uniform	Medium Shock	Heavy Shock
Electric Motor	Intermittent 2 hrs	0.9	1.00	1.25
	Occasional 1/2 hr	0.8	0.9	1.00
	10 hrs	1.00	1.25	1.50
	24 hrs	1.25	1.50	1.75
Electric Motor With Frequent Starts & Stops	Intermittent 2 hrs	1.00	1.25	1.50
	Occasional 1/2 hr	0.9	1.00	1.25
	10 hrs	1.25	1.50	1.75
	24 hrs	1.50	1.75	2.00
Multi Cylinder Combustion Engine.	Intermittent 2 hrs	1.00	1.25	1.50
	Occasional 1/2 hr	0.90	1.00	1.25
	10 hrs	1.25	1.50	1.75
	24 hrs	1.50	1.75	2.00
Single Cylinder Combustion Engine	Intermittent 2 hrs	1.25	1.15	1.75
	Occasional 1/2 hr	1.00	1.25	1.50
	10 hr	1.50	1.75	2.00
	24 hrs	1.75	2.00	2.25

Note: Intermittent & occasional service refers to TOTAL operating period per day.  
 "Frequent Start & Stops" refers to more than 10 starts per hr

**When Ordering a Worm Wheel Reduction Gearbox please specify the following:**

1. Worm frame size.
2. Gear ratio.
3. Input motor information. Power, speed (RPM), type. If flange mount electric motors please specify the mount details/dimensions required.
4. Mounting arrangement required.
5. Output shaft arrangement.

**Horsepower and Torque Rating Tables.**

These figures are indicative for standard worm drive boxes like FCA or FCWA models and reflect conditions under perfect drive. Refer to the factor chart for various applications.

Based on a Duty Cycle of 8-10 Hours per day continuous.

Torque is in kg-Metres

OHL is Overhung Load in Kgs.

SIZE	RATIO	10:1					
	INPUT RPM	1800	1500	1200	900	600	300
50	INPUT HP	1.23	1.16	1.01	.86	.58	.31
	OUTPUT HP	.99	.93	.84	.67	045	.23
	OUTPUT TORQUE kg-m	3.95	4.47	4.80	5.33	5.43	5.43
	OUTPUT OHL kg	90	100	110	120	140	200
60	INPUT HP	2.52	2.01	1.76	1.52	1.19	.64
	OUTPUT HP	1.78	1.63	1.41	1.20	.92	.48
	OUTPUT TORQUE kg-m	7.09	7.82	8.45	9.62	11	11.6
	OUTPUT OHL kg	90	100	110	120	140	200
70	INPUT HP	3.27	3.01	2.68	2.24	1.75	1.15
	OUTPUT HP	2.69	2.45	2.16	1.79	1.36	.86
	OUTPUT TORQUE kg-M	10.7	11.7	12.9	14.3	16.3	20.7
	OUTPUT OHL kg	140	150	160	170	200	300
80	INPUT HP	4.50	4.36	3.81	3.20	2.57	1.56
	OUTPUT HP	3.27	3.55	3.08	2.56	2.01	1.18
	OUTPUT TORQUE kg-m	14.8	17.0	18.4	20.5	24.0	28.3
	OUTPUT OHL kg	160	180	200	230	270	400
100	INPUT HP	6.50	5.98	5.26	4.49	3.51	2.27
	OUTPUT HP	5.37	4.90	4.30	3.64	2.78	1.74
	OUTPUT TORQUE kg-m	21.4	23.4	25.7	29.0	33.2	41.5
	OUTPUT OHL kg	190	200	220	240	300	440
120	INPUT HP	10.7	10.1	8.58	7.40	5.75	3.74
	OUTPUT HP	8.89	8.35	7.03	6.01	4.60	2.89
	OUTPUT TORQUE kg-m	35.4	39.9	42.0	47.9	55.0	69.1
	OUTPUT OHL kg	250	260	280	300	350	520
135	INPUT HP	17.7	16.5	14.2	12.0	9.54	6.20
	OUTPUT HP	15.0	13.9	11.9	10.0	7.83	4.94
	OUTPUT TORQUE kg-m	59.7	66.4	71.0	79.6	93.5	117
	OUTPUT OHL kg	330	340	360	440	500	800

SIZE	RATIO	20:1					
	INPUT RPM	1800	1500	1200	900	600	300
50	INPUT HP	0.71	0.63	0.55	0.48	0.35	0.17
	OUTPUT HP	0.50	0.44	0.38	0.32	0.23	0.11
	OUTPUT TORQUE kg-m	4.00	4.25	4.58	5.07	5.43	5.43
	OUTPUT OHL kg	130	140	155	170	200	200
60	INPUT HP	1.18	1.06	0.95	0.79	0.64	0.37
	OUTPUT HP	0.89	0.79	0.69	0.57	0.44	0.24
	OUTPUT TORQUE kg-m	7.09	7.58	8.20	9.00	10.4	11.6
	OUTPUT OHL kg	130	140	155	170	200	200
70	INPUT HP	1.83	1.66	1.44	1.17	0.86	0.50
	OUTPUT HP	1.42	1.27	1.09	0.87	0.62	0.34
	OUTPUT TORQUE kg-M	11.3	12.1	13.0	13.9	14.7	16.0
	OUTPUT OHL kg	210	230	250	270	300	300
80	INPUT HP	2.48	2.25	1.97	1.65	1.32	0.87
	OUTPUT HP	1.91	1.71	1.47	1.21	0.93	0.57
	OUTPUT TORQUE kg-m	15.2	16.3	17.5	19.2	22.3	27.3
	OUTPUT OHL kg	270	280	320	360	400	400
100	INPUT HP	4.42	3.99	3.48	2.92	2.31	1.51
	OUTPUT HP	3.52	3.14	2.71	2.23	1.73	1.06
	OUTPUT TORQUE kg-m	28.0	30.0	32.3	35.5	41.3	50.0
	OUTPUT OHL kg	250	270	300	340	450	450
120	INPUT HP	6.85	6.31	5.53	4.68	3.70	1.95
	OUTPUT HP	5.40	4.92	4.26	3.53	2.71	1.68
	OUTPUT TORQUE kg-m	43.0	47.0	50.9	56.2	64.6	80.0
	OUTPUT OHL kg	370	390	420	460	520	520
135	INPUT HP	10.3	9.26	8.14	6.79	5.36	3.47
	OUTPUT HP	8.39	7.47	6.48	5.33	4.13	2.54
	OUTPUT TORQUE kg-m	66.8	71.3	77.4	84.9	98.6	121
	OUTPUT OHL kg	570	600	660	760	810	810

SIZE	RATIO	30:1					
		1800	1500	1200	900	600	300
50	INPUT RPM	1800	1500	1200	900	600	300
	INPUT HP	0.62	0.55	0.45	0.36	0.25	0.13
	OUTPUT HP	0.42	0.37	0.30	0.23	0.16	0.08
	OUTPUT TORQUE kg-m	5.02	5.31	5.43	5.49	5.43	5.43
60	OUTPUT OHL kg	150	170	180	200	200	200
	INPUT HP	1.07	0.98	0.87	0.74	0.52	0.28
	OUTPUT HP	0.75	0.67	0.58	0.48	0.32	0.16
	OUTPUT TORQUE kg-m	9.0	9.60	10.3	11.15	11.6	11.6
70	OUTPUT OHL kg	150	170	180	200	200	200
	INPUT HP	1.56	1.41	1.26	1.06	0.85	0.43
	OUTPUT HP	1.12	0.98	0.85	0.71	0.53	0.29
	OUTPUT TORQUE kg-M	13.4	14.2	15.2	17.0	19.0	20.5
80	OUTPUT OHL kg	240	260	280	300	300	300
	INPUT HP	2.09	1.90	1.65	1.43	1.14	0.75
	OUTPUT HP	1.51	1.34	1.14	0.96	0.73	0.44
	OUTPUT TORQUE kg-m	18.1	19.2	20.5	22.9	26.2	31.4
100	OUTPUT OHL kg	320	340	360	400	400	400
	INPUT HP	3.69	3.33	2.93	2.47	1.97	1.15
	OUTPUT HP	2.70	2.40	2.06	1.71	1.30	0.70
	OUTPUT TORQUE kg-m	32.2	34.4	36.9	40.8	46.8	50.0
120	OUTPUT OHL kg	320	340	370	450	450	450
	INPUT HP	6.27	5.68	5.00	4.18	3.39	1.89
	OUTPUT HP	4.64	4.15	3.59	2.92	2.27	1.17
	OUTPUT TORQUE kg-m	55.4	59.4	64.3	69.8	81.4	84.0
135	OUTPUT OHL kg	450	470	500	520	520	520
	INPUT HP	8.76	7.87	6.86	5.82	4.64	3.02
	OUTPUT HP	6.65	5.90	5.07	4.20	3.23	1.96
	OUTPUT TORQUE kg-m	79.4	84.5	90.8	100	116	140
	OUTPUT OHL kg	680	710	710	810	810	810

SIZE	RATIO	40:1					
	INPUT RPM	1800	1500	1200	900	600	300
50	INPUT HP	0.47	0.43	0.39	0.32	0.22	0.11
	OUTPUT HP	.028	0.25	0.22	0.17	0.12	0.06
	OUTPUT TORQUE kg-m	4.53	4.82	5.41	5.43	5.43	5.43
	OUTPUT OHL kg	170	180	200	200	200	200
60	INPUT HP	0.78	0.71	0.64	0.54	0.43	0.24
	OUTPUT HP	0.51	0.45	0.39	0.32	0.24	0.12
	OUTPUT TORQUE kg-m	8.06	8.60	9.20	10.3	11.5	11.6
	OUTPUT OHL kg	170	180	200	200	200	200
70	INPUT HP	1.18	1.07	0.94	0.77	0.56	0.33
	OUTPUT HP	0.81	0.72	0.62	0.49	0.34	0.18
	OUTPUT TORQUE kg-M	12.9	13.7	14.8	15.5	16.2	17.4
	OUTPUT OHL kg	270	280	300	300	300	300
80	INPUT HP	1.60	1.47	1.29	1.10	0.86	0.54
	OUTPUT HP	1.08	0.96	0.83	0.68	0.52	0.30
	OUTPUT TORQUE kg-m	17.2	18.3	19.7	21.8	24.7	28.0
	OUTPUT OHL kg	340	360	400	400	400	400
100	INPUT HP	2.78	2.52	2.20	1.88	1.48	0.89
	OUTPUT HP	2.00	1.77	1.52	1.26	0.96	0.52
	OUTPUT TORQUE kg-m	31.8	33.8	36.3	40.2	45.7	50.0
	OUTPUT OHL kg	350	380	450	450	450	450
120	INPUT HP	4.48	4.07	3.56	3.03	2.44	1.57
	OUTPUT HP	3.13	2.79	2.99	1.97	1.51	0.88
	OUTPUT TORQUE kg-m	49.8	53.2	57.1	62.8	72.2	84.0
	OUTPUT OHL kg	500	500	520	520	520	520
135	INPUT HP	6.44	5.74	5.06	4.38	3.40	2.18
	OUTPUT HP	4.79	4.22	3.64	3.06	2.31	1.36
	OUTPUT TORQUE kg-m	76.3	80.7	86.9	97.4	110	130
	OUTPUT OHL kg	710	770	810	810	810	810



SIZE	RATIO	50:1					
	INPUT RPM	1800	1500	1200	900	600	300
50	INPUT HP	0.39	0.37	0.31	0.26	0.18	0.09
	OUTPUT HP	0.23	0.21	0.17	0.14	0.09	0.04
	OUTPUT TORQUE kg-m	4.62	4.91	5.19	5.43	5.43	5.43
	OUTPUT OHL kg	200	200	206	200	200	200
60	INPUT HP	0.61	0.55	0.51	0.43	0.35	0.20
	OUTPUT HP	0.36	0.32	0.28	0.23	0.17	0.09
	OUTPUT TORQUE kg-m	7.10	7.60	8.30	9.10	10.2	11.6
	OUTPUT OHL kg	180	200	200	200	200	200
70	INPUT HP	0.87	0.79	0.71	0.61	0.50	0.30
	OUTPUT HP	0.52	0.46	0.40	0.33	0.25	0.15
	OUTPUT TORQUE kg-M	10.4	11.0	11.9	13.1	14.8	17.4
	OUTPUT OHL kg	280	300	300	300	300	300
80	INPUT HP	1.28	1.17	1.05	0.88	0.72	0.45
	OUTPUT HP	0.84	0.75	0.65	0.53	0.40	0.23
	OUTPUT TORQUE kg-m	16.8	17.8	19.3	21.2	23.9	28.0
	OUTPUT OHL kg	360	400	400	400	400	400
100	INPUT HP	2.78	2.52	2.20	1.88	1.48	0.89
	OUTPUT HP	2.00	1.77	1.52	1.26	0.96	0.52
	OUTPUT TORQUE kg-m	31.8	33.8	36.3	40.2	45.7	50.0
	OUTPUT OHL kg	350	380	450	450	450	450
120	INPUT HP	3.64	3.28	2.90	2.47	1.91	1.19
	OUTPUT HP	2.61	2.31	2.01	1.66	1.24	0.70
	OUTPUT TORQUE kg-m	52.0	55.2	60.1	66.0	74.2	84.0
	OUTPUT OHL kg	500	520	520	520	520	520
135	INPUT HP	4.84	4.41	3.90	3.34	2.61	1.69
	OUTPUT HP	3.52	3.16	2.73	2.26	1.71	1.01
	OUTPUT TORQUE kg-m	70.0	75.5	81.4	90.1	102	120
	OUTPUT OHL kg	770	810	810	810	810	810

SIZE	RATIO	60:1					
		1800	1500	1200	900	600	300
50	INPUT RPM	1800	1500	1200	900	600	300
	INPUT HP	0.33	0.30	0.26	0.23	0.15	0.07
	OUTPUT HP	0.18	0.16	0.13	0.11	0.07	0.03
	OUTPUT TORQUE kg-m	4.31	4.61	4.83	5.41	5.43	5.43
60	OUTPUT OHL kg	200	200	200	200	200	200
	INPUT HP	0.51	0.47	0.42	0.35	0.29	0.19
	OUTPUT HP	0.29	0.26	0.22	0.18	0.14	0.08
	OUTPUT TORQUE kg-m	6.90	7.40	8.00	8.70	9.70	11.3
70	OUTPUT OHL kg	200	200	200	200	200	200
	INPUT HP	0.75	0.68	0.63	0.51	0.43	0.28
	OUTPUT HP	0.44	0.39	0.34	0.27	0.21	0.12
	OUTPUT TORQUE kg-M	10.4	11.1	12.0	13.1	14.7	17.1
80	OUTPUT OHL kg	300	300	300	300	300	300
	INPUT HP	1.03	0.95	0.85	0.73	0.58	0.39
	OUTPUT HP	0.62	0.55	0.48	0.39	0.29	0.17
	OUTPUT TORQUE kg-m	14.9	15.7	17.2	18.7	21.0	24.6
100	OUTPUT OHL kg	400	400	400	400	400	400
	INPUT HP	1.87	1.70	1.53	1.28	1.02	0.65
	OUTPUT HP	1.26	1.12	0.97	0.80	0.59	0.34
	OUTPUT TORQUE kg-m	30.0	32.0	34.6	38.0	42.4	49.3
120	OUTPUT OHL kg	400	450	450	450	450	450
	INPUT HP	2.89	2.65	2.36	2.04	1.45	0.96
	OUTPUT HP	1.98	1.76	1.53	1.26	0.94	0.56
	OUTPUT TORQUE kg-m	47.4	50.4	54.9	60.1	67.6	80.0
135	OUTPUT OHL kg	520	520	520	520	520	520
	INPUT HP	3.65	3.58	3.16	2.74	2.11	1.37
	OUTPUT HP	2.55	2.40	2.12	1.76	1.32	0.77
	OUTPUT TORQUE kg-m	60.8	70.0	76.0	83.9	94.4	111
135	OUTPUT OHL kg	810	810	810	810	810	810

FCA

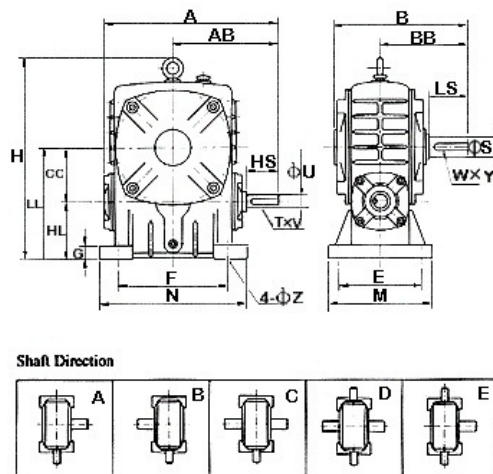
GEARBOXES / WORM WHEEL SPEED REDUCTION BOXES / FCA

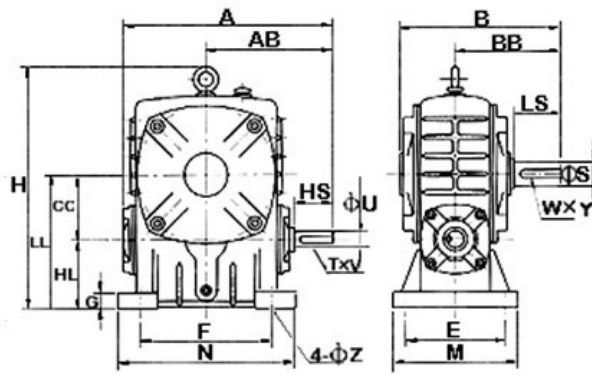


Aline Trading Pty Ltd

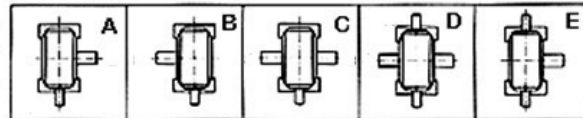
**FCA series.**

A universal worm wheel reduction gearbox with solid input/output shafts and fixed position mounting plate.





Shaft Direction



Size	Ratio	A	AB	B	BB	CC	E	F	H	HL	LL	M	N
40	5:1 10:1 15:1 20:1 25:1 30:1 40:1 50:1 60:1	142	85	112	74	40	70	80	135	40	80	90	100
50		175	105	145	95	50	95	110	180	50	100	120	140
60		195	120	165	110	60	105	120	210	60	120	130	150
70		234	140	195	130	70	115	150	243	70	140	150	190
80		264	160	210	140	80	135	180	273	80	160	170	220
100		300	178	245	163	100	155	220	340	100	200	190	260
120		385	230	285	185	120	180	260	405	120	240	230	320
135		435	260	320	210	135	200	290	455	135	270	250	350
155		507	300	387	252	155	220	320	490	135	290	280	390
175		550	325	407	262	175	250	350	565	160	335	310	430
200	594	350	480	305	200	290	390	625	175	375	360	480	
250	710	420	560	360	250	380	480	730	200	450	460	560	

Size	G	Z	Input Shaft			Output Shaft			Weight Kg	Oil lt
			HS	U	TxV	LS	S	WxY		
40	12	10	25	12	4x2.5	28	14	5x3	3.8	0.14
50	15	11	30	12	4x2.5	40	17	5x3	7	0.17
60	20	11	40	15	5x3	50	22	7x4	10.5	0.23
70	20	15	40	18	5x3	60	28	7x4	14.5	0.5
80	20	15	50	22	7x4	65	32	10x4.5	22	0.7
100	25	15	50	25	7x4	75	38	10x4.5	36	1.6
120	30	18	65	30	7x4	85	45	12x4.5	63	3
135	30	18	75	35	10x4.5	95	55	15x5	80	3.5
155	38	20	85	40	10x4.5	110	60	15x5	114	3.6
175	40	20	85	45	12x4.5	110	65	18x6	150	4.5
200	42	22	95	50	12x4.5	125	70	20x7	218	6.4
250	42	27	110	60	15x5	155	90	24x8	363	8.5

## FCWA - FCWS

GEARBOXES / WORM WHEEL SPEED REDUCTION BOXES / FCWA - FCWS

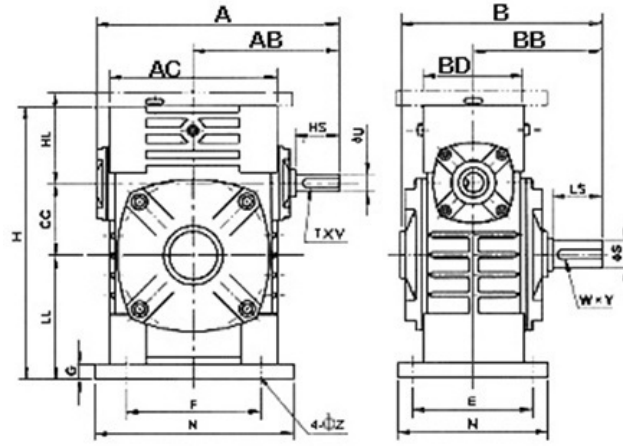
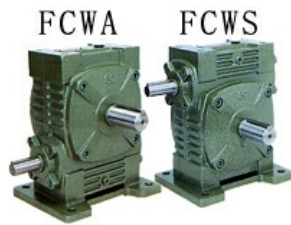


Aline Trading Pty Ltd

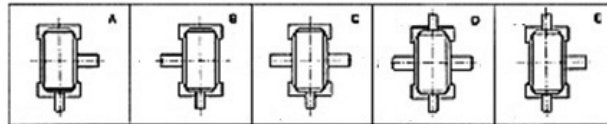
### FCWA / FCWS series.

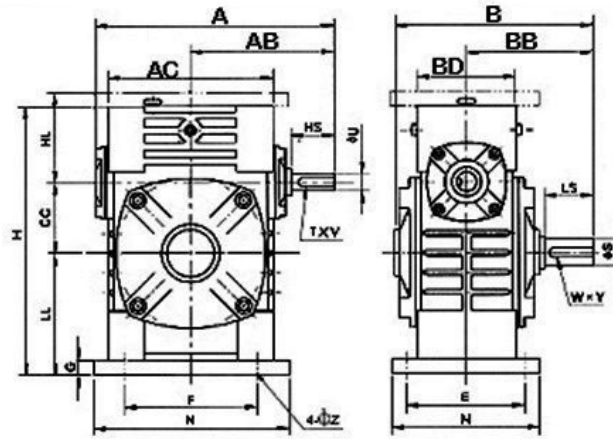
A universal worm wheel reduction gearbox with solid input/output shafts and bolt on mounting plate.

The gearbox can be inverted to give a higher input location (FCWS). Mounting plates can be removed for replacement if damaged or the gearbox can be bolted directly into position without the base plate.

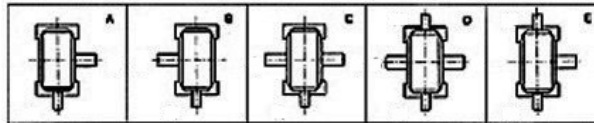


**Shaft Direction**





**Shaft Direction**



Size	Ratio	A	AB	AC	B	BB	BD	CC	E	F	H	HL	LL	M
40	5:1 10:1 15:1 20:1 25:1 30:1 40:1 50:1 60:1	152	90	96	122	78	60	40	80	110	135	45	60	100
50		175	105	115	145	95	70	50	95	110	165	50	80	120
60		195	120	126	165	110	76	60	105	120	195	60	93	130
70		234	140	155	195	130	84	70	115	150	233	73	108	150
80		264	160	170	210	140	100	80	135	180	268	83	123	170
100		300	178	204	245	163	114	100	155	220	330	100	150	190
120		385	230	260	285	185	128	120	180	260	395	120	180	230
135		435	260	296	320	210	150	135	200	290	455	135	215	250
155		494	300	330	387	252	170	155	220	320	493	135	235	280
175		548	325	370	407	262	186	175	250	350	558	160	260	310
200	594	350	420	480	305	200	200	290	350	620	175	290	360	

Size	N	G	Z	Input Shaft			Output Shaft			Weight Kg
				HS	U	T×V	LS	S	W×Y	
40	130	10	9	25	12	4×2.5	28	14	5×3	4
50	140	15	11	30	12	4×2.5	40	17	5×3	7
60	150	18	11	40	15	5×3	50	22	7×4	11
70	190	18	15	40	18	5×3	60	28	7×4	15
80	220	18	15	50	22	7×4	65	32	10×4.5	23
100	270	20	15	50	25	7×4	75	38	10×4.5	38
120	320	25	18	65	30	7×4	85	45	12×4.5	65
135	350	30	18	75	35	10×4.5	95	55	15×5	84
155	380	32	20	85	40	10×4.5	110	60	15×5	114
175	410	37	20	85	45	12×4.5	110	65	18×6	150
200	435	45	22	95	50	12×4.5	125	70	20×7	218

**FCWDA - FCWDS**

GEARBOXES / WORM WHEEL SPEED REDUCTION BOXES / FCWDA - FCWDS



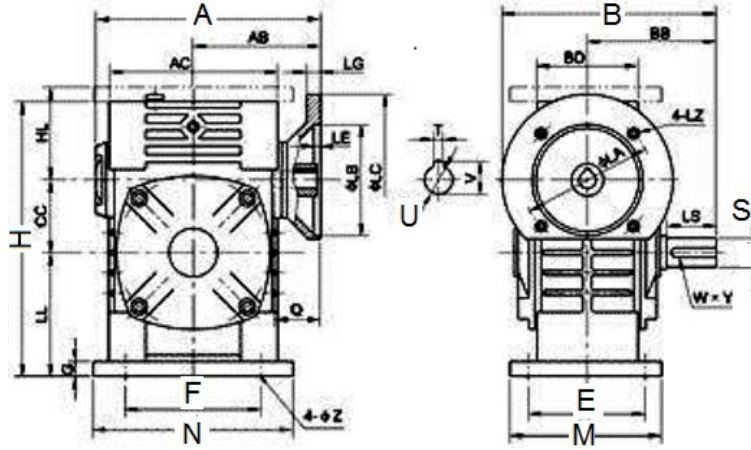
Aline Trading Pty Ltd

**FCWDA / FCWDS series.**

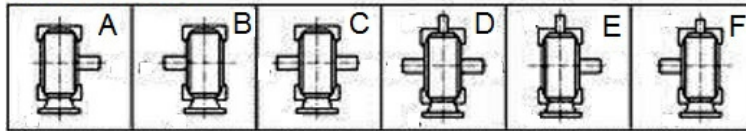
A universal worm wheel reduction gearbox with hollow flanged input/ solid output shafts and bolt on mounting plate.

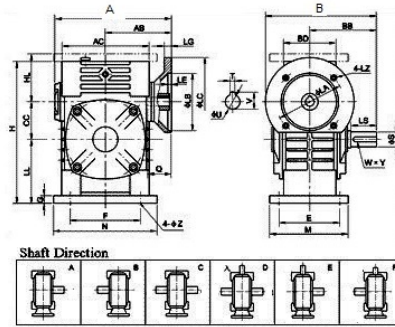
The gearbox can be inverted to give a higher input location (FCWDS). Mounting plates can be removed for replacement if damaged or the gearbox can be bolted directly into position without the base plate.

FCWDA FCWDS



Shaft Direction





Size	Inpower (Kw)	Ratio	A	AB	AC	B	BB	BD	CC	E	F	G	H	HL	LL	M	N	Z
40	0.12	5:1	138	76	96	148		60	40	80	110	10	135	45	60	100	130	9
50	0.18		155	84	115	165		70	50	95	110	15	165	50	80	120	140	11
60	0.37		10:1	170	92	126	190		76	60	105	120	18	195	60	93	130	150
70	0.37	15:1	206	110	155	210	130	84	70	115	150	18	233	73	108	150	190	15
	0.75	20:1				230												
80	0.75	25:1	232	128	170	240	140	100	80	135	180	18	268	83	123	170	220	15
100	1.5	30:1	266	145	204	263	163	114	100	155	20	20	330	100	150	190	270	15
	2.2	40:1	270	149		263	163	114	100	155	20	20	330	100	150	190	270	15
120	2.2	50:1	340	182	260	310	185	128	120	180	260	25	395	120	180	230	320	18
	3.0	60:1	340	182	260	310	185	128	120	180	260	25	395	120	180	230	320	18
135	3.0		375	200	296	335	210	150	135	200	290	30	455	135	215	250	350	18
155	4.0		442	236	330	402		170	155	220	320	32	493	135	235	280	380	20
175	5.5		465	240	240	412		186	175	250	350	37	558	160	260	310	410	20
175	7.5		465	240	240	412		186	175	250	350	37	558	160	260	310	410	20

Size	Flange						Input Hole			Output Shaft			Weight Kg
	LA	LB	LC	LE	LG	LZ	Q	U	T×Y	LS	S	W×Y	
40	115	95	140	5	10	M8	25	11	4×12.8	28	14	5×3	4.4
50	115	95	140	5	10	M8	25	11	4×12.8	40	17	5×3	7
60	130	110	160	5	12	M8	35	14	5×16.3	50	22	7×4	11
70	130	110	160	5	12	M8	35	14	5×16.3	60	28	7×4	15
	165	130	200		15	M10	45	19	6×21.8				
80	165	130	200	5	15	M10	45	19	6×21.8	65	32	10×4.5	23
							55	24	8×27.3				
100	165	130	200	5	12	M10	52	24	8×27.3	75	38	10×4.5	38
	215	180	250		15	M12	62	28	8×31.3				
120	215	180	250	5	18	M12	65	28	8×31.3	85	45	12×4.5	65
135	215	180	250	5	18	M12	65	28	8×31.3	95	55	15×5	84
155	265	230	300	5	20	M12	85	38	10×41.3	110	60	15×5	120
175	265	230	300	6	18	M12	85	38	10×41.3	110	65	18×6	160

FCDKS

GEARBOXES / WORM WHEEL SPEED REDUCTION BOXES / FCDKS

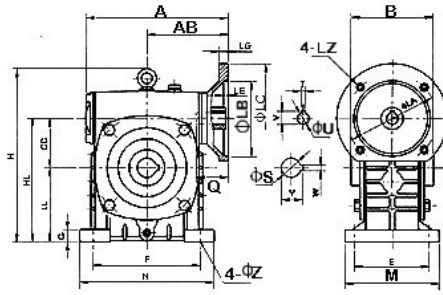


Aline Trading Pty Ltd

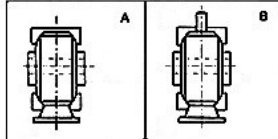
FCDKS series.

A universal worm wheel reduction gearbox with hollow flanged input and hollow output shafts and fixed mounting plate.





Shaft Direction



Size	Input Kw	Ratio	A	AB	B	CC	E	F	H	HL	LL	M	N	G	Z
50	0.18	5:1 10:1 15:1 20:1 25:1 30:1 40:1 50:1 60:1	155	84	107	50	95	110	180	130	80	120	140	15	11
60	0.37		170	92	117	60	105	120	205	150	90	130	150	20	11
70	0.37		206	110	131	70	115	150	235	175	105	150	190	25	15
	0.75		80	232	128	144	80	135	180	265	200	120	170	220	25
1.5															
100	1.5		266	145	175	100	155	220	327	250	150	190	260	25	15
	2.2														
120	2.2		340	182	200	120	180	260	388	300	180	230	320	30	18
	3.0		135	375	200	212	135	200	290	445	350	215	250	350	30
4.0															
155	5.5		442	236	312	155	220	320	483	390	235	280	390	38	20
175	7.5		465	240	334	175	250	350	550	435	266	310	430	40	20

Size	Flange						Input Hole			Output Hole		Weight Kg
	LA	LB	LC	LE	LG	LZ	Q	U	T×V	S	W×Y	
50	115	95	140	5	10	M8	25	11	4×12.8	20	6×22.8	8
60	130	110	160	5	12	M8	35	14	5×16.3	25	8×28.3	10.5
70	130	110	160	5	12	M8	35	14	5×16.3	30	8×33.3	17
	165	130	200		15	M10	45	19	6×21.8			
80	165	130	200	5	15	M10	45	19	6×21.8	35	10×38.3	26
							55	24	8×27.3			
100	165	130	200	5	12	M10	52	24	8×27.3	40	12×43.3	38
	215	180	250		15	M12	62	28	8×31.3			
120	215	180	250	5	18	M12	65	28	8×31.3	45	14×48.8	60
135	215	180	250	5	18	M12	65	28	8×31.3	60	18×64.4	85
155	265	230	300	5	20	M12	85	38	10×41.3	70	20×74.9	120
175	265	230	300	6	18	M12	85	38	10×41.3	80	22×85.4	150

FCWKA - FCWKS

GEARBOXES / WORM WHEEL SPEED REDUCTION BOXES / FCWKA - FCWKS



Aline Trading Pty Ltd

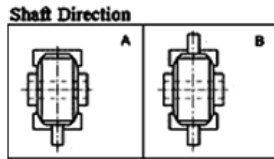
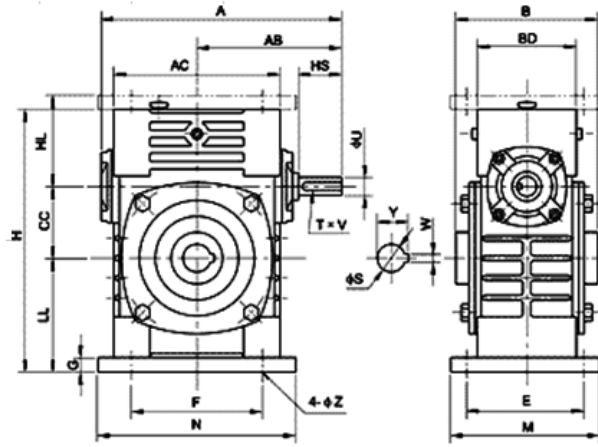
FCWKA / FCWKS series.

A universal worm wheel reduction gearbox with hollow flanged input and hollow output shafts and bolt on mounting plate.

The gearbox can be inverted to give a higher input location (FCWKS). Mounting plates can be removed for replacement if damaged or the gearbox can be bolted directly into position without the base plate.







Size	Ratio	A	AB	AC	B	BD	CC	E	F	H	HL	LL	M
40	5:1 10:1 15:1 20:1 25:1 30:1 40:1 50:1 60:1	152	90	96	96	60	40	80	110	135	45	60	100
50		175	105	115	107	70	50	95	110	165	50	80	120
60		195	120	126	117	76	60	105	120	195	60	93	130
70		234	140	155	131	84	70	115	150	233	73	108	150
80		264	160	170	144	100	80	135	180	268	83	123	170
100		300	178	204	175	114	100	155	220	330	100	150	190
120		385	230	260	200	128	120	180	260	395	120	180	230
135		435	260	296	212	150	135	200	290	455	135	215	250
155		494	300	330	312	160	155	220	320	493	135	235	280
175		548	325	370	334	186	175	250	350	558	160	260	310
200	594	350	420	346	200	200	290	350	620	175	290	360	

Size	N	G	Z	Input Shaft			Output Hole		Weight Kg
				HS	U	T×V	S	W×Y	
40	130	10	9	25	12	4×2.5	20	6×22.8	4.5
50	140	15	11	30	12	4×2.5	20	6×22.8	7
60	150	18	11	40	15	5×3	25	8×28.3	11
70	190	18	15	40	18	5×3	30	8×33.3	14
80	220	18	15	50	22	7×4	35	10×38.3	22
100	270	20	15	50	25	7×4	40	12×43.3	36
120	320	25	18	65	30	7×4	45	14×48.8	63
135	350	30	18	75	35	10×4.5	60	18×64.4	80
155	380	32	20	85	40	10×4.5	70	20×74.9	114
175	410	37	20	85	45	12×4.5	80	22×85.4	150
200	435	45	22	95	50	12×4.5	85	22×90.4	218

## GEARBOX SHAFT COVER

GEARBOXES / GEARBOX SHAFT COVER



Aline Trading Pty Ltd

THINK SAFETY!

UNGUARDED ROTATING SHAFTS CAN RESULT IN SERIOUS INJURY OR DEATH.

The AL01900 is a multi- $\text{\AA}$ drill safety cover designed to fit a range of the Aline gearboxes.

On occasions a  $\text{\AA}$  T  $\text{\AA}$  or 3 shaft gear box will be used for an application that requires only 2 of the shafts to be used. Leaving the 3rd shaft un-guarded can result in serious injury or worse.

The AL01900 shaft cover is designed to be fitted over the unused shaft and attaches to the 4 safety cover mounting holes supplied on many of our gearboxes.

Gearbox Shaft Cover.	
P/No	AL01900
Fits	A8, FRA8, A9, A11 & A21 series.
Finish	Zinc Plated.
Weight	1.6 Kg



## ROCK WINCHES

ROCK WINCHES



Aline Trading P/L offer a range of high quality yet economically priced winches with styles including hand, 12V electric & hydraulic winches suitable for most applications.

ROCK winches are sold around the world into agricultural, industrial, automotive and recreational markets.

ROCK winches feature quality materials and workmanship, individual safety testing and compliance with industry standards. They also feature design improvements like hardened one piece gears, reinforced oil impregnated handle bushings that extend life and make cranking easier, low operation torque requirements, improved corrosion resistance and present well when installed on your equipment.

## HAND WINCHES

ROCK WINCHES / HAND WINCHES



Aline Trading's range of hand winches are among the best quality and value available on the market. They are made using proven designs and high quality materials.

Our hand winches are available in various configurations including, bare winches (without cable or strap), with steel cable or a webbing (seatbelt style) strap.

Typical uses include trailers, boat trailers, farm equipment, industrial equipment, recreational equipment and hundreds of other uses where a quality hand winch is required.

Complete winches are fitted with a safety hook but can be ordered with a bent rod or "S" style hook which is used on small boats (tinnies) etc. Custom builds are available. Min order qtys apply.

## RHW450

ROCK WINCHES / HAND WINCHES / RHW450



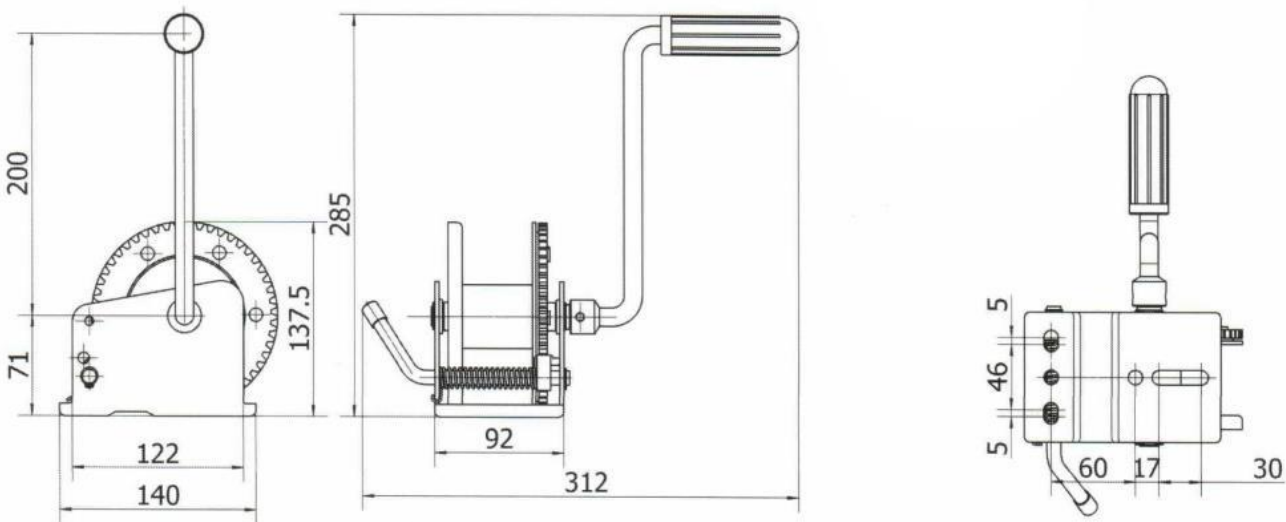
The **RHW450** is a compact yet strong general purpose hand winch and is ideal for use on Light applications where a higher winding speed is required.

Features:

- Compact design.
- Formed reinforcements in frame for added frame strength
- Very low torque required for ease of operation
- One way ratchet. Free spool in off direction.
- High quality one piece hardened steel gears.
- Superior finish quality for appearance and corrosion resistance.
- Extensively tested and QA inspected.

Note: The standard RHW450 is supplied without cable or strap. These are available as required. Please enquire.

Part No	AL02637
Model	RHW450
Capacity	450lb ( 204 Kg)
Gear ratio	1:1
Hub diameter	45mm
Spool diameter	133mm
Drum capacity.	4mm diameter x 10m long.
Weight	2.73 kg



RHW900

ROCK WINCHES / HAND WINCHES / RHW900



The RHW900 is a very compact yet strong general purpose hand winch and is ideal for use on small boat trailers, jet ski trailers and many other applications.

Features:

- Compact design.
- Formed reinforcements in frame for added frame strength
- Very low torque required for ease of operation
- One way ratchet. Free spool in off direction.

- High quality one piece hardened steel gears.
- Superior finish quality for appearance and corrosion resistance.
- Extensively tested and QA inspected.

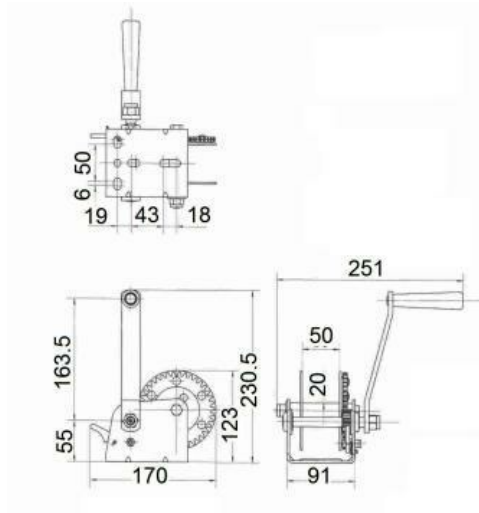
The RHW900 is presented in 3 standard models.

Part No	Description
AL01640	Winch only. No cable or strap
AL01646	With cable and safety hook.
AL01648	With strap and "S" hook.

Capacity	900lb (409Kg)
Gear ratio	3:1
Hub diameter	15mm
Spool Diameter	95mm
cable	4mm diameter x 6m long
Strap	50mm wide x 4m long - 1.5t rated.

AL01648 Shown.



## RHW1200

ROCK WINCHES / HAND WINCHES / RHW1200



The RHW1200 is a very popular general purpose hand winch used in numerous applications such as boat trailers, trailers and farm machinery.

Features:

- Compact design.
- Formed reinforcements in frame for added frame strength
- Very low torque required for ease of operation
- One way Ratchet. Free spool in off direction.
- High quality one piece hardened steel gears.
- Superior finish quality for appearance and corrosion resistance.

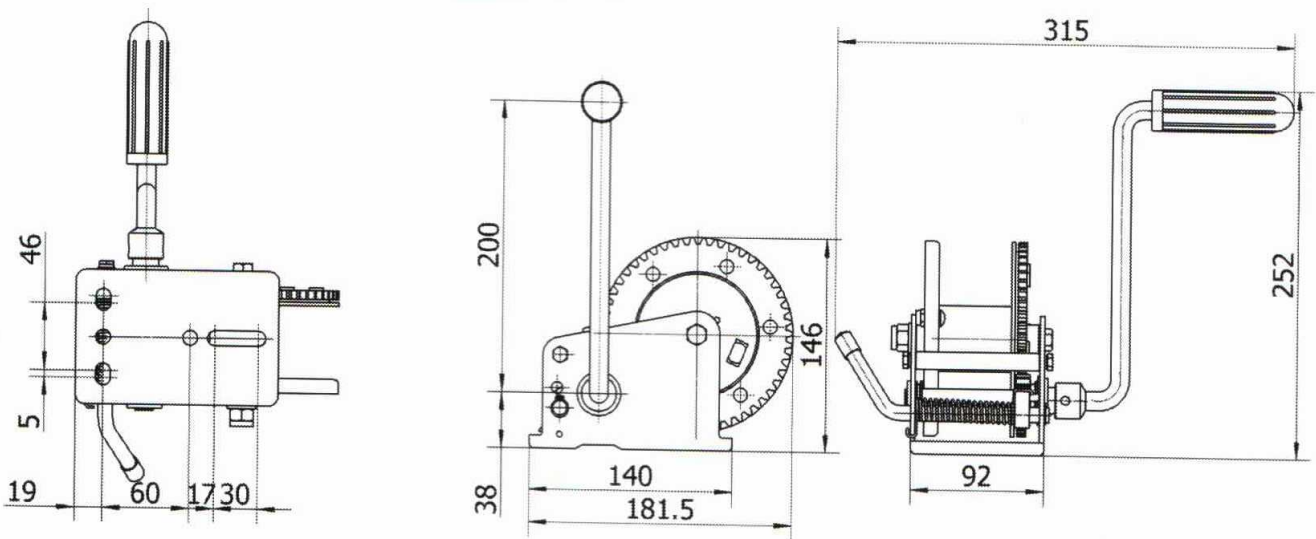
- Extensively tested and QA inspected.  
 The RHW1200 is presented in 5 standard variations.

Part No	Description
AL01630	Winch only.
AL01633	Winch & cable, with safety hook.
AL01634	Winch & cable with "S" hook.
AL01635	Winch & strap with "S" hook
AL01642	Winch & strap with Safety hook

Capacity	1200lb ( 545.45 Kg)
Gear ratio	4.1:1
Hub diameter	45mm
Spool diameter	133mm
Cable	4mm diameter x 10m long.
Strap	50mm x 6.1m long. - 1.5t rated.

AL01633 shown.



### RHW1800

ROCK WINCHES / HAND WINCHES / RHW1800



The RHW1800 is a 3 speed hand winch that allows for optimum performance with minimal effort. Position the handle to suit the load and wind speed required.

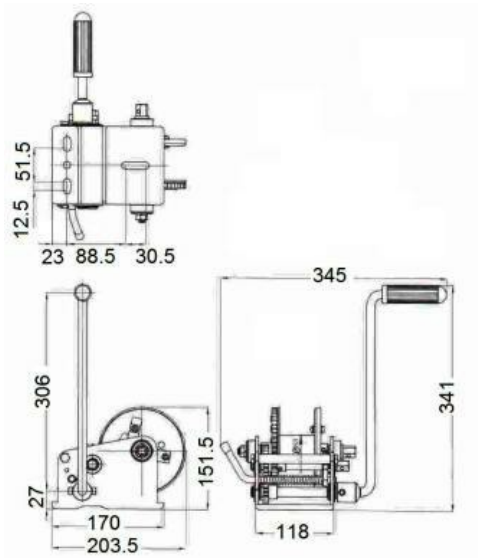
Features:

- Compact design.
- Formed reinforcements in frame for added frame strength
- Very low torque required for ease of operation
- One way Ratchet. Free spool in off direction.
- High quality one piece hardened steel gears.
- Superior finish quality for appearance and corrosion resistance.
- Extensively tested and QA inspected.

- 3 winding positions to give the speed and torque required for the job.
- Standard winch is supplied without cable or strap.

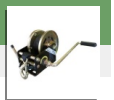
Models with cable or strap available to order.

Specifications	
Part No	AL01509 - WINCH ONLY
Ratio 1 - 1:1	204Kg / 450lb
Ratio 2 - 4.6:1	500Kg/1100lb
ratio 3 - 9.7:1	817Kg/1800lb
Handle force	under 200 (N)
Weight	6.3
Cable	5.56 mm x 15m
Single package.	31x21.5x18.6
Full carton - 4 pcs	46x34x39 - 24 Kg



## RHW2000

ROCK WINCHES / HAND WINCHES / RHW2000



The RHW2000 is a quality made general purpose hand winch suitable for the large jobs like such as larger boat trailers, car trailers & many other applications.

This winch is presented in 3 standard variations.

Features:

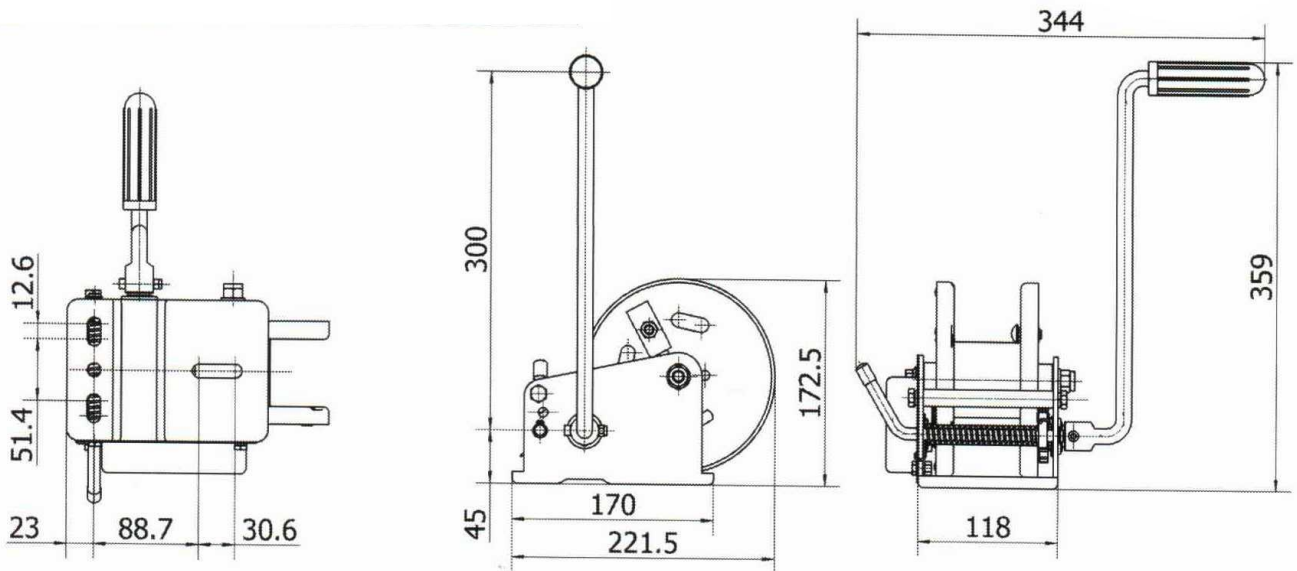
- Compact design.
- Formed reinforcements in frame for added frame strength
- Very low torque required for ease of operation
- One way ratchet. Free spool in off direction.
- High quality one piece hardened steel gears.
- Superior finish quality for appearance and corrosion resistance.
- Extensively tested and QA inspected.

Part No	Description
AL01636	Winch only
AL01637	With cable and safety hook
AL01638	With strap and safety hook

Capacity	2000lb / 909Kg
Gear ratio	8.8:1
Hub diameter	63mm
Spool O.D	160mm
Cable	6.35mm diameter x 10m long
Strap	50mm x 6.1m long - 2t rated.
AL01636	6.5 Kg
AL01637	8.4 Kg
AL01638	6.9 Kg

AL01638 shown.



### RGW3200

ROCK WINCHES / HAND WINCHES / RGW3200



The RGW 3200 is a 2 speed hand winch that allows for optimum performance with minimal effort. Position the handle to suit the load and wind speed required.

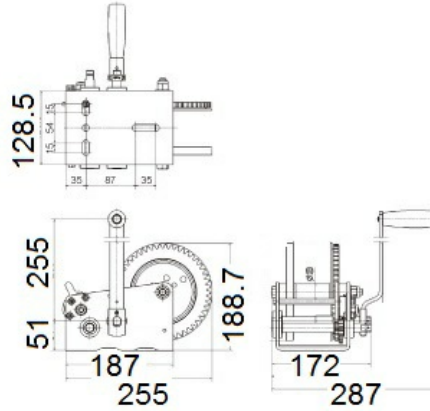
Features:

- Compact design.
- Formed reinforcements in frame for added frame strength
- Very low torque required for ease of operation

- One way Ratchet. Free spool in off direction.
- High quality one piece hardened steel gears.
- Superior finish quality for appearance and corrosion resistance.
- Extensively tested and QA inspected.
- 2 winding positions to give the speed and torque required for the job.
- Standard winch is supplied with cable and safety hook.

Specifications	
Part No	AL01643
Model	RGW3200-19
Capacity	3200 lbs - 1435 Kg
Ratio 1	5.4:1
Ratio 2	17.5:1
Drum	170mm diam x 64 Wide
Weight	7.7Kg
Cable	6.35mm x 15m

Photo below shows bare winch only. No cable.



## BRAKE WINCHES

ROCK WINCHES / BRAKE WINCHES



Aline Trading's range of braked hand winches are among the best quality and value available on the market. They are made using proven designs, high quality materials and offer a safety brake feature suitable for many applications.

Our braked hand winches are available in various configurations including, bare winches (without cable or strap), with steel cable or a webbing (seatbelt style) strap.

All our complete winches are fitted with a safety hook.

Features include:

- Compact design requiring minimal space.
- Very low torque required for easy operation.
- Formed reinforcements in frame for added frame strength.
- Internally lubricated bushing and pinion shaft bearing for long life and ease of operation.
- Heat treated one piece gears.
- Gearbox and brake all sealed by strong steel cover to avoid dust and rain.
- Safety ratchet gear to prevent slipping.
- Load activated brake. Standard.



- Brake is completely automatic and will hold the load in any position. Recoiling is impossible.  
 Typical uses include Trailers, Farm equipment, Industrial equipment & any other winching application where safety and control is required.  
 Custom builds are available. Min order qtys apply.

## RBW1500

ROCK WINCHES / BRAKE WINCHES / RBW1500



The RBW1500 brake winch is rated at 1500 lb (681kg) and is one of our most popular winches and is suited to applications that require additional control and safety during the winching operation. The automatic brake will hold the load in position.

Features include:

- Compact design requiring minimal space.
- Very low torque required for easy operation.
- Formed reinforcements in frame for added frame strength.
- Internally lubricated bushing and pinion shaft bearing for long life and ease of operation.
- Heat treated one piece gears.
- Gearbox and brake all sealed by strong steel cover to ovoid dust and rain.
- Safety ratchet gear to prevent slipping.
- Load activated brake. Standard.
- Brake is completely automatic and will hold the load in any position. Recoiling is impossible.

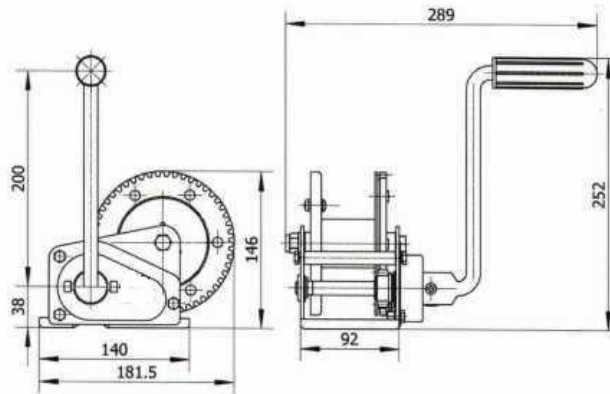
Aline Trading offers the RBW1500 in 3 standard versions as listed below.

Part Number	Description
AL01566	Winch only. No cable or strap
AL01572	With cable and safety hook
AL01578	With strap and safety hook

Specifications	
Capacity	1500 lb ( 681 Kg)
Gear ratio	4.3:1
Hand force required	16 lb
Hub diameter	45mm
Spool diameter	133mm
Maximum spool capacity	18m of 4mm wire
Cable	4mm diameter x 10m long.
Strap	50 mm x 6.1m long. - 1.5t rated.
AL01566	3.6 Kg
AL01572	4.4 Kg
AL01578	3.9 Kg

AL01572 shown.





## RBW2500

ROCK WINCHES / BRAKE WINCHES / RBW2500



The RBW2500 is a high quality brake winch and a proven performer typically fitted on larger applications like car trailers and irrigation pumps where additional safety and control are required.

Features include:

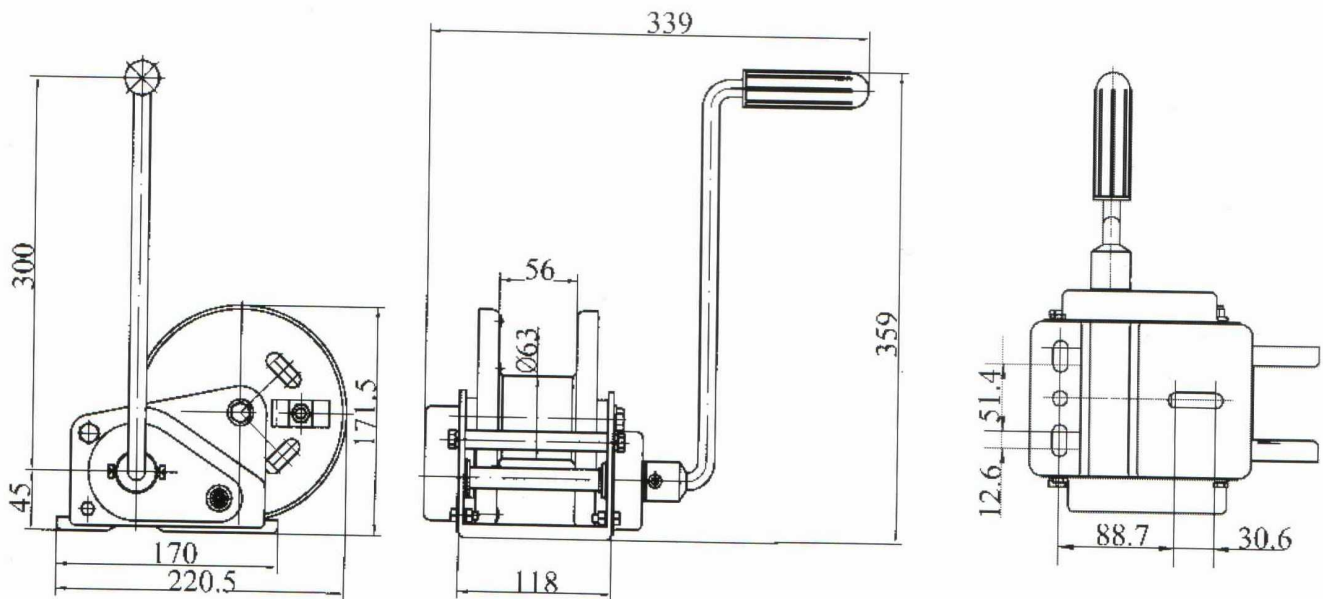
- Compact design requiring minimal space.
- Very low torque required for easy operation.
- Formed reinforcements in frame for added frame strength.
- Internally lubricated bushing and pinion shaft bearing for long life and ease of operation.
- Heat treated one piece gears.
- Gearbox and brake all sealed by strong steel cover to avoid dust and rain.
- Safety ratchet gear to prevent slipping.
- Load activated brake. Standard.
- Brake is completely automatic and will hold the load in any position. Recoiling is impossible.

Aline trading presents the RBW2500 in 3 standard versions as listed below.

Part Number	Description
AL01574	Winch only. No cable or strap
AL01576	With cable and safety hook
AL01579	With Strap and safety hook

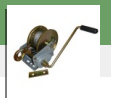
Specifications	
Capacity	2500 lb / 1136 kg
Hand force required	20lb
Gear Ratio	8.8:1
Hub diameter	63mm
Maximum spool capacity	15m of 6.35mm cable
Cable	10m x 6.35mm cable
Strap	6.1m x 50mm strap. 2.0t rated
AL01574	7.13 kg
AL01576	8.87 kg
AL01579	7.8 kg

AL01576 shown.



## RBW3500

ROCK WINCHES / BRAKE WINCHES / RBW3500



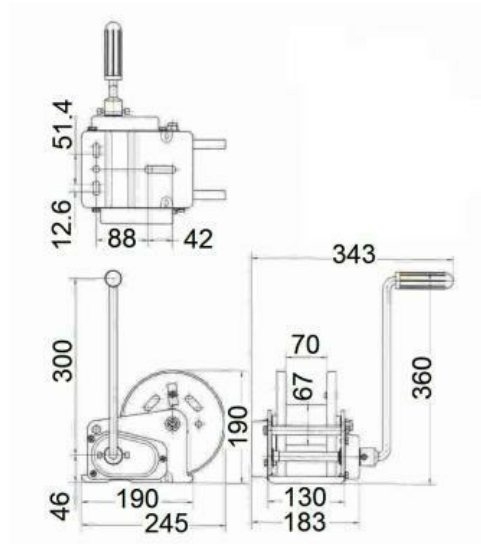
The RBW3500 is our largest brake winch. Its high build quality and design make it suitable for heavy duty applications where safety and control is required.

Features include:

- Compact design requiring minimal space.
- Very low torque required for easy operation.
- Formed reinforcements in frame for added frame strength.
- Internally lubricated bushing and pinion shaft bearing for long life and ease of operation.
- Heat treated one piece gears.

- Gearbox and brake all sealed by strong steel cover to ovoid dust and rain.
- Safety ratchet gear to prevent slipping.
- Load activated brake. Standard.
- Brake is completely automatic and will hold the load in any position. Recoiling is impossible.

Part number	Description
AL01577	With cable and safety hook
Specifications	
Capacity	3500 lb / 1590kg
Hand force required	less than 20kg
Gear Ratio	18.4:1
Hub Diameter	67mm
Spool capacity	15m of 7mm cable
Cable supplied	7.94mm Diam x 10m
AL01577	12.57 kg



## STAINLESS STEEL HAND WINCHES

ROCK WINCHES / STAINLESS STEEL HAND WINCHES



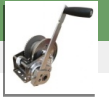
Aline Trading P/L present a premium range of Stainless Steel Hand winches for use in in harsh Marine, Agricultural & industrial environments.

These quality ROCK brand winches are based on their traditional range of winches with the added advantage of grade 304 Stainless steel bodies and cables.



## RBW1000 SS

ROCK WINCHES / STAINLESS STEEL HAND WINCHES / RBW1000 SS



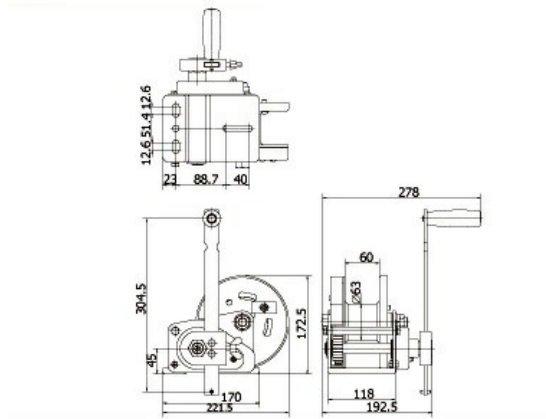
The RBW1000 SS is a 1000lb (454kg) braked safety winch with full Stainless steel construction and supplied with 6m of 4.76mm diameter cable with safety hook.

**Features:**

- Body, Handle and cable = Gr 304
- Safety hook = GR 316
- Compact design requiring minimal space.
- Very low torque required for easy operation.
- Formed reinforcements in frame for added frame strength.
- Internally lubricated bushing and pinion shaft bearing for long life and ease of operation.
- Heat treated one piece gears.
- Load activated brake is completely automatic and will hold the load in any position. Recoiling is impossible.

<b>Part No</b>	AL01649
<b>Model</b>	RBW1000SS
<b>Capacity</b>	1000lb (454kg)
<b>Gear Ratio</b>	3.8:1
<b>Cable</b>	4.76mm x 6m





## RHW1400 SS

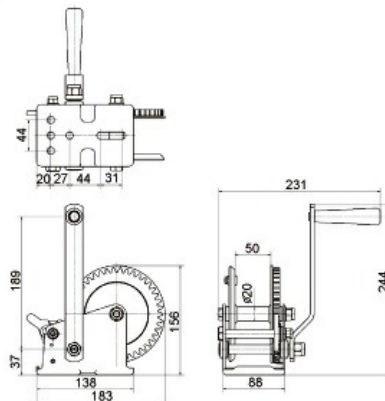
ROCK WINCHES / STAINLESS STEEL HAND WINCHES / RHW1400 SS



The RHW 1400 SS is a 1400lb (636kg) hand winch with full Stainless steel construction and is supplied with 6m of 4.76mm diameter cable with safety hook.

- Body, Handle and cable = Gr 304 Stainless
- Safety hook = GR 316 Stainless
- Formed reinforcements in frame for added frame strength
- Very low torque required for ease of operation
- One way Ratchet. Free spool, in off direction.
- High quality one piece hardened gears.
- Superior finish quality for appearance and corrosion resistance.
- Extensively tested and QA inspected.

<b>Part No</b>	AL01565
<b>Model</b>	RHW 1400 SS
<b>Capacity</b>	1400lb (636kg)
<b>Gear Ratio</b>	5:1
<b>Cable</b>	4.76mm x 6m



## RBW2500 SS

ROCK WINCHES / STAINLESS STEEL HAND WINCHES / RBW2500 SS

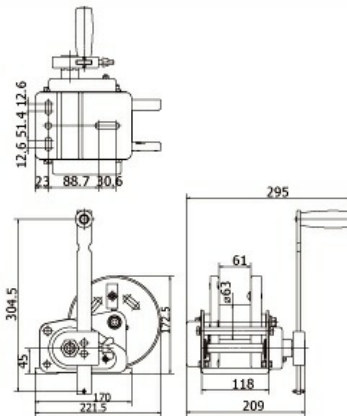


The RBW2500 SS is a 2500lb (1136kg) braked safety winch with full Stainless steel construction and supplied with 10m of 6.35mm diameter cable with safety hook.

Features:

- Body, Handle and cable = Gr 304
- Safety hook = Zinc Plated ALLOY.
- Compact design requiring minimal space.
- Very low torque required for easy operation.
- Formed reinforcements in frame for added frame strength.
- Internally lubricated bushing and pinion shaft bearing for long life and ease of operation.
- Heat treated one piece gears.
- Load activated brake is completely automatic and will hold the load in any position. Recoiling is impossible.

<b>Part No</b>	AL01510
<b>Model</b>	RBW2500SS
<b>Capacity</b>	2500lb (1136kg)
<b>Gear Ratio</b>	11:1
<b>Cable</b>	6.35mm x 10m



## 12V ELECTRIC WINCHES

ROCK WINCHES / 12V ELECTRIC WINCHES



Aline Trading's range of 12V electric ROCK winches are among the best quality and value available on the market. They are made using proven innovative designs and high quality materials.

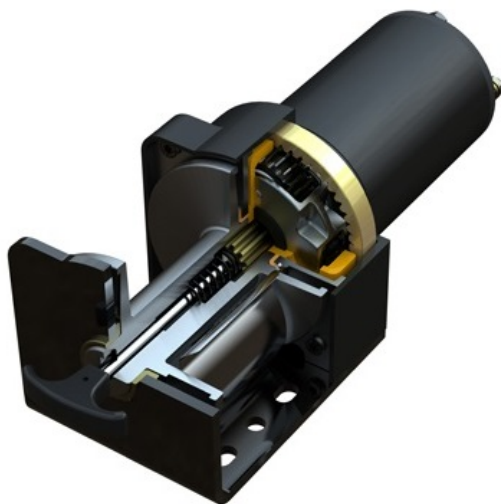
Features include:

- Planetary gear system for fast line speed.
- Automatic load holding brake.
- Free spooling
- Power in and power out.
- IP67 Ratings

- Low electric current draw.
- Hardened gears.
- Heavy duty permanent magnetic & series wound 12V DC Motors.
- Quality aircraft grade cabling.
- Individual load testing. Each winch is bench tested prior to packing.

Typical uses include Trailers, Automotive, Recreational equipment, Farm equipment, Industrial equipment & any other winching application where safety and control is required.

Note: A suitable supply of 12V DC power is required to ensure proper operation and service life for these winches.



## RP2000

ROCK WINCHES / 12V ELECTRIC WINCHES / RP2000



The RP2000 is a compact 12V DC electric winch with numerous applications in the agricultural, industrial and recreational markets. Typical applications include Farm Equipment, Ute backs, trailers, ATV's etc.

Features include:

- Planetary gear system.
- Automatic load holding brake.
- Hardened gears.
- 1.4kW (1.9hp) permanent magnet DC Motor.
- Individual load testing.
- Wireless Remote control.

Note: A suitable supply of 12V DC power is required to ensure proper operation and service life for these winches.

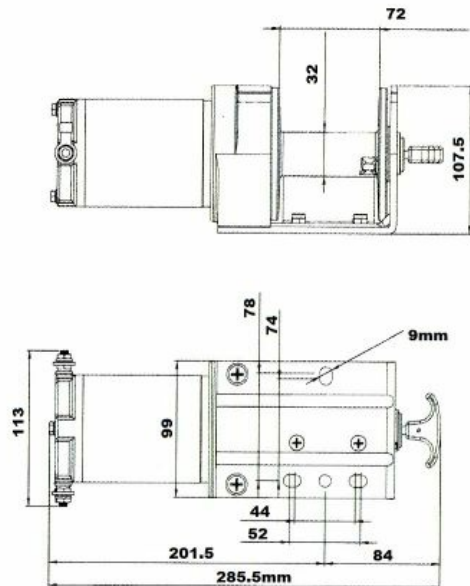


Specifications	
Part Number	AL01621
Model	RP2000
Motor	12V permanent magnet 1.9 hp (1.4kw)
Rated line pull	2000lb (907kg). Single line pull
Gear Ratio	153:1
Gear train	Single-stage planetary
Brake	Automatic Load Holding brake.
Power in/out	Yes
Free Spooling	Yes
Drum size	32mm diameter x 72mm wide
Drum material	Aluminium
Cable supplied	4mm x 15m steel cable.
Hook	3/16" With safety latch.
Overall dimensions	(LxWxH) 286mm x 113mm x 108mm
Mounting bolt pattern	48 mm x 76 mm
Net weight	6.8kg
IP rating	IP65, Resistant to water jets.

Performance of first layer				
Line pull		Line speed		Motor current
lb	kg	fpm	mpm	12V amp
0	0	14.0	4.3	14
1000	454	9.0	2.7	60
1500	680	7.5	2.3	90
2000	908	5.9	1.8	115

Line pull and capacity by layer		
Cable Layer	Rated line pull	
	lb	kg
1	2000	908
2	1636	740
3	1385	625
4	1200	540
5	1059	480
6	947	426





## RP3500

ROCK WINCHES / 12V ELECTRIC WINCHES / RP3500



The RP3500 is a compact and versatile 12VDC electric winch with numerous applications in the agricultural, industrial and recreational markets.

Typical applications include Farm Equipment, Ute backs, trailers, ATs etc.

Features include:

- Planetary gear system for fast line speed.
- Automatic load holding brake.
- IP67 rating.
- Free spooling
- Power in and power out.
- Low electric current draw.
- Hardened gears.
- Heavy duty 2.3kw permanent magnet DC Motor.
- Quality aircraft grade cabling.
- Individual load testing.

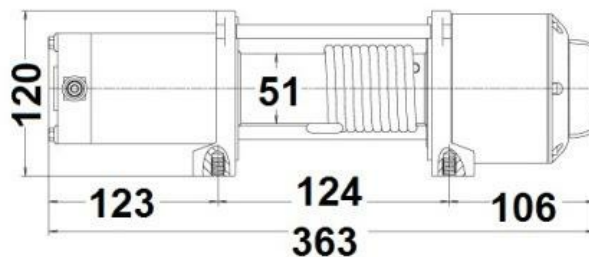
Note: A suitable supply of 12V DC power is required to ensure proper operation and service life for these winches.



Specifications	
Part Number	AL01623
Model	RP3500
Rated line pull	3500lb (1589kg). Single line pull
gear reduction ratio	136:1
Motor	12V permanent magnet 3.1 hp (2.3kw)
IP Rating	IP67
Drum size	50mm diameter x 92.5mm wide
Cable supplied	5.56mm x 12.8 m aircraft grade cable.
Overall dimensions	(LxWxH) 363mm x 117mm x 120mm
Net weight	11.3 kg
Mounting bolt pattern	76.2 mm x 124 mm

Performance of first layer				
Line pull		Line speed		Motor current
lb	kg	fpm	mpm	12V amp
0	0	23	7.0	35
1000	454	19.7	6.0	87
2000	908	15	4.6	140
3500	1589	7.5	2.3	200

Line pull and capacity by layer		
Cable Layer	Rated line pull	
	lb	kg
1	3500	1589
2	2988	1357
3	2606	1183
4	2311	1049



## RP5000

ROCK WINCHES / 12V ELECTRIC WINCHES / RP5000



The RP5000 is a compact and versatile 12VDC electric UTV winch with numerous applications in the agricultural, industrial and recreational markets.

Typical applications include Farm Equipment, Ute backs, trailers, UTVs™ etc.

Features include:

- Planetary gear system for fast line speed.
- Automatic load holding brake.
- IP67 rating.
- Free spooling
- Power in and power out.
- Low electric current draw.
- Hardened gears.
- Heavy duty 2.8 kW permanent magnet DC Motor.
- Quality aircraft grade cabling.
- Individual load testing.

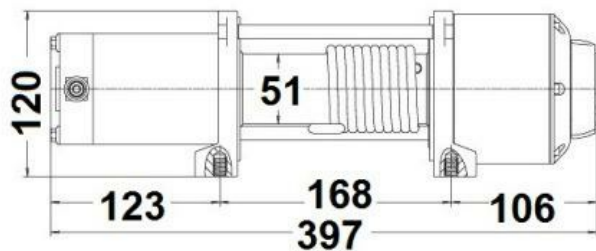
Note: A suitable supply of 12V DC power is required to ensure proper operation and service life for these winches.



Specifications	
Part Number	AL01628
Model	RP5000
Rated line pull - Single line	5000lb (2268 kg)
Gear reduction ratio	165:1- 3 stage planetary
Motor (permanent magnet)	2.8kW 12V (3.8hp)
IP Rating	IP 67
Drum size diameter	50mm
Drum size length	137.5mm
Cable diameter	6.3mm
Cable length	15m
Dimensions LxWxH	397 x 117 x 120
Net Weight	15.3Kg
Mounting bolt pattern	168mm x 76mm

Performance of first layer				
Line pull		Line speed		Motor current
lb	kg	fpm	mpm	12V amp
0	0	20.7	6.3	34
2000	908	15.1	4.6	135
3000	1360	11.5	4.0	155
4000	1810	10.5	3.2	190
5000	2270	9.2	2.8	230

Line pull and capacity by layer			
Cable Layer	Rated line pull		
	lb	kg	
1	5000	2270	
2	4080	1852	
3	3446	1565	
4	2983	1354	
5	2629	1194	





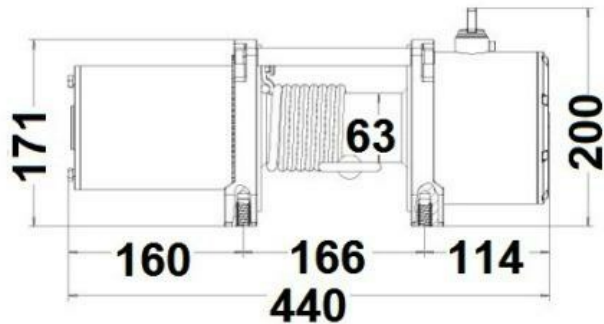
The RES 6000 (EXTREME SEALING) is the smallest of our IP67 rated premium grade 12V winches. It's a compact and versatile 12VDC electric winch with numerous applications in the agricultural, industrial and recreational markets. Including Farm Equipment, 4X4, car trailers, plant trailers, ATVs etc.

Features include:

- IP67 Rating.
- Three stage planetary gear system for fast line speed.
- Automatic load holding brake.
- Free spooling
- Power in and power out.
- Low electric current draw.
- Hardened gears.
- Heavy duty 2.7kw series wound DC Motor.
- Quality aircraft grade cabling.
- Individual load testing.

Note: A suitable supply of 12V DC power is required to ensure proper operation and service life for these winches.

Specifications	
Part Number	AL01626
Model	RES6000
Rated line pull - Single line	6000lb (2724 kg)
Gear reduction ratio	210:1- 3 stage planetary
Motor (series wound)	2.7kW 12V (3.7hp)
IP Rating	IP 67
Drum size diameter	63mm
Drum size length	124mm
Cable diameter	7.14mm
Cable length	24m
Weight net	31.8 kg
Dimensions LxWxH	440 x 161 x 200
Mounting bolt pattern	166mm x 114.3mm



Performance of first layer				
Line pull		Line speed		Motor current
lb	kg	fpm	mpm	12V amp
0	0	19.5	6	80
1500	680	15.8	4.8	125
3000	1364	13.6	4.1	160
4500	2040	10.4	3.2	205
6000	2724	9	2.7	220



Line pull and capacity by layer		
Cable Layer	Rated line pull	
	lb	kg
1	6000	2724
2	4985	2263
3	4264	1936
4	3725	1691
5	3307	1501

## RES9500

ROCK WINCHES / 12V ELECTRIC WINCHES / RES9500



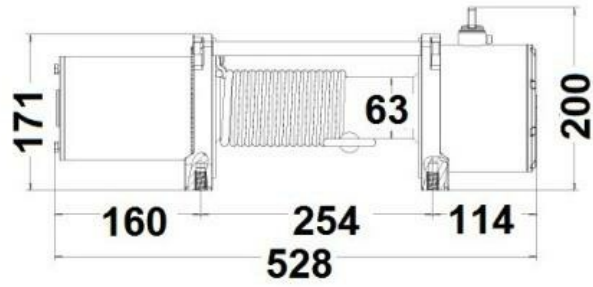
The RES9500 (EXTREME SEALING) is the most popular of our premium grade IP67 rated 12V winches. It's a compact and versatile 12VDC electric winch with numerous applications in the agricultural, industrial and recreational markets. Including Farm Equipment, 4X4, car trailers, plant trailers, ATVs etc.

Features include:

- IP67 Rating.
- Three stage planetary gear system for fast line speed.
- Automatic load holding brake.
- Free spooling
- Power in and power out.
- Low electric current draw.
- Hardened gears.
- Heavy duty 3.6 kw series wound DC Motor.
- Quality aircraft grade cabling.
- Individual load testing.

Note: A suitable supply of 12V DC power is required to ensure proper operation and service life for these winches.

Specifications	
Part Number	AL01629
Model	RES9500
Rated line pull - Single line	9500lb (4310 kg)
Gear reduction ratio	210:1
Motor (series wound)	3.6kW 12V (4.9hp)
IP Rating	IP67
Drum size diameter	63mm
Drum size length	212mm
Cable diameter	8.3mm
Cable length	28
Dimensions LxWxH	528 x 161 x 200
Mounting bolt pattern	254mm x 114.3mm



Performance of first layer.					
Line pull		Line speed		Motor current	
lb	kg	fpm	mpm	12V amp	
0	0	21	6.4	86	
2000	910	11	3.4	150	
4000	1810	8.8	5.5	205	
6000	2720	7.5	2.3	235	
8000	3630	6	1.8	252	
9500	4310	6.2	1.7	300	



Line pull and capacity by layer			
Cable Layer	Rated line pull		
	lb	kg	
1	9500	4310	
2	7374	3348	
3	6246	2836	
4	5417	2459	
5	4783	2171	

ROCK winch built into tool box on the front of a Heavy duty tandem trailer.



## RES12000

ROCK WINCHES / 12V ELECTRIC WINCHES / RES12000



The RES12000 (EXTREME SEALING) is the largest of our premium grade IP67 rated 12V winches. It's a compact and versatile 12VDC electric winch with numerous applications in the agricultural, industrial and recreational markets. Including Farm Equipment, 4X4, car trailers, plant trailers, ATVs etc.

Features include:

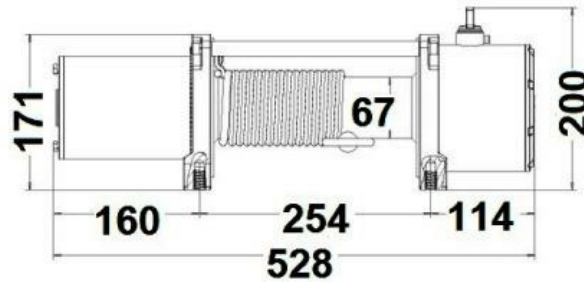
- IP67 Rating.
- Three stage planetary gear system for fast line speed.
- Automatic load holding brake.
- Free spooling
- Power in and power out.
- Low electric current draw.
- Hardened gears.
- Heavy duty 3.6kw series wound DC Motor.
- Quality aircraft grade cabling.
- Individual load testing.

Note: A suitable supply of 12V DC power is required to ensure proper operation and service life for these winches.





Specifications	
Part Number	AL02685
Model	RES12000
Rated line pull - Single line	12000lb (5445kg)
Gear reduction ratio	294:1- 3 stage planetary.
Motor (series wound)	3.6kW 12V (4.9hp)
Drum size diameter	67mm
Drum size length	212mm
Cable diameter	9.5mm
Cable length	28
Dimensions LxWxH	528 x 161 x 200
Mounting bolt pattern	254mm x 114.3mm



Performance of first layer.				
Line pull		Line speed		Motor current
lb	kg	fpm	mpm	12V amp
0	0	16.4	5	85
4000	1810	8.8	2.7	160
6000	2720	7.5	2.3	191
8000	3630	6.7	2.0	235
10000	4540	5.6	1.7	270
12000	5440	4.9	1.5	300

Line pull and capacity by layer		
Cable Layer	Rated line pull	
	lb	kg
1	12000	5448
2	9607	4362
3	8010	3637
4	6868	3118
5	6011	2729

## 24V ELECTRIC WINCHES

ROCK WINCHES / 24V ELECTRIC WINCHES



Aline Trading's range of 24V electric winches are among the best quality and value available on the market. They are made using proven innovative designs and high quality materials.

Features include:

- Planetary gear system for fast line speed.
- Automatic load holding brake.
- Free spooling
- Power in and power out.
- Low electric current draw.
- Hardened gears.
- Heavy duty permanent magnetic 24V DC Motors.
- Quality aircraft grade cabling.
- Individual load testing. Each winch is bench tested prior to packing.

Typical uses include Trailers, Automotive, Recreational equipment, Farm equipment, Industrial equipment & any other winching application where safety and control is required.

Note: A suitable supply of 24V DC power is required to ensure proper operation and service life for these winches.



The REW5500-24V is a versatile 24V DC electric winch with numerous applications in the agricultural & industrial markets.

Features include:

- Fast line speed.
- Automatic load-holding brake.
- Power in and power out.
- Free spooling.
- Low electric current draw.
- Hardened gears.
- Heavy duty 24V DC Motor.
- Quality aircraft grade cabling.
- Individual load testing.

Note: A suitable supply of 24V DC power is required to ensure proper operation and service life for these winches.



Specifications	
Part Number	AL01625
Model	REW5500-24
Rated line pull	5500lb (2497kg). Single line pull
gear reduction ratio	294:1
Motor	2.5 kw (3.4hp) 24V Permanent magnet.
Drum size	63mm diameter x 140mm wide
Cable supplied	6.35mm x 24m steel.
Overall dimensions	(LxWxH) 436mm x 178mm x 173.5mm
Net Weight	26.5 kg
Mounting bolt pattern	166mm x 114.3mm

Performance of first layer				
Line pull		Line speed		Motor current
lb	kg	fpm	mpm	24V amp
0	0	9.74	2.97	24
2000	908	9.55	2.91	63
3000	1362	8.56	2.61	74
4000	1816	6.56	2.31	88
5500	2497	6.56	2.0	115

Line pull by layer		
Cable Layer	Rated line pull	
	lb	kg
1	5500	2497
2	4640	2107
3	4020	1825
4	3545	1610
5	3170	1439



Aline Trading present a new range of quality hydraulic winches for the agricultural and Industrial markets. There are two models available a 9000lb suitable for agricultural uses such as grain augers and other light to medium applications and the larger 18,000lb unit which is suited to more demanding applications.

- Features include:
- High speed operation.
  - Auto brake in both directions.
  - Unique clutch design.
  - Reinforced frame.
  - High performance motor.

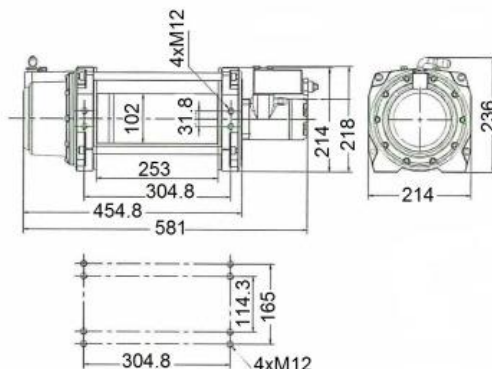
**RYW09**



The RYW09 is a 9000 lb hydraulic winch that is suitable for many applications in the agricultural, industrial and recreational markets such as grain augers, medium sized vehicles or trailers.

- Features include:
- High speed operation.
  - Auto brake in both directions.
  - Unique clutch design.
  - Reinforced frame.
  - High performance motor.

Specifications	
Part Number	AL02721
Model	RYW09
Rated line pull	9000lb (4091kg)
Gear reduction ratio	27.42:1
Drum size diameter	102mm
Drum size length	253mm
Cable diameter	9.52mm
Cable length	30.5
Shipping weight	56.5kg
Dimensions LxWxH	600 x 214 x 235
Mounting bolt pattern	Base 114.3/165mm x 304.8mm Side 31.8 x 304.8
Mounting bolt thread.	M12 x 1.75
Motor connector	1/2"- 14 NPTF



Motor Specifications	
Displacement cm 3/REV	80.6
Max Speed RPM	Rated 750 Cont 940
Max Torque Kw	Rated 12.3 Cont 15 Int 17
Max Pressure drop Mpa	Rated 14 Cont 15 Int 17
Max Flow lt/min	Cont 60 Int 75

Line pull and capacity by layer						
Cable Layer	Line Pull		Speed		Cable capacity	
	lbs	kgs	ft/min	m/min	ft	m
1	9000	4086	31	9.4	24	7.3
2	7670	3482	37	11.2	53	16.2
3	6710	3046	43	13	87	26.5
4	5940	2697	48	14.8	126	38.4

Performance of first layer.					
Line pull		Line speed		Flow	Pressure
lb	kg	fpm	mpm	L/Min	Mpa
4000	1816	26	8	56.3	5
8000	3632	27	8.3	56.4	10.7
9000	4086	28	8.5	55.8	11.6

## RYW18

ROCK WINCHES / HYDRAULIC WINCHES / RYW18



The RYW18 is an 18,000 lb hydraulic winch that is suitable for many applications in the agricultural, industrial and recreational markets such as, larger vehicles (trucks), tow trucks, trailers etc.

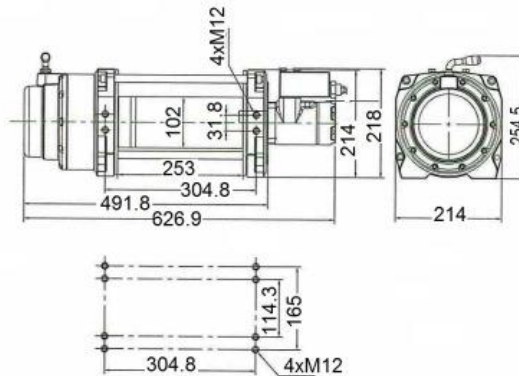
Part No AL02720

Features include:

- High speed operation.
- Auto brake in both directions.
- Unique clutch design.
- Reinforced frame.
- High performance motor.



Specifications	
Part Number	AL02720
Model	RYW18000
Rated line pull	18000lb (8182kg)
Gear reduction ratio	36:1
Drum size diameter	102mm
Drum size length	253mm
Cable diameter	12.7mm
Cable length	30.5
Shipping weight	63.5 kg
Dimensions LxWxH	650 x 214 x 240
Mounting bolt pattern	Base 114.3/165mm x 304.8mm Side 31.8 x 304.8
Mounting bolt thread.	M12 x 1.75
Motor connector	1/2"-14 NPTF



Motor Specifications	
Displacement cm 3/REV	80.6
Max Speed RPM	Rated 750 Cont 940
Max Torque Kw	Rated 12.3 Cont 15 Int 17
Max Pressure drop Mpa	Rated 14 Cont 15 Int 17
Max Flow lt/min	Cont 60 Int 75

Line pull and capacity by layer						
Cable Layer	Line Pull		Speed		Cable capacity	
	lbs	kgs	ft/min	m/min	ft	m
1	18000	8172	16.1	4.9	18.8	5.7
2	14727	6686	19.7	6.0	41.7	12.7
3	12462	5658	23.42	7.1	68.8	21.0

Performance of first layer.					
Line pull		Line speed		Flow	Pressure
lb	kg	fpm	mpm	L/min	Mpa
6000	2724	14.4	4.4	57.6	3.2
12000	5448	14.1	4.3	57.0	6.8
15000	6810	14.1	4.3	56.3	8.1
18000	8172	14.1	4.3	56.7	9.8

## MINI TRUCK LOAD WINCH

ROCK WINCHES / MINI TRUCK LOAD WINCH

Aline Trading P/L

The Mini Truck Load Winch is a compact winch designed for securing loads on small trucks, Trailers and farm equipment. Ideal for header comb trailers!

The winch is supplied with a 6 metre long x 50 mm wide strap with hook and has a safe load rating of 2500Kg.



Mini Truck Load Winch	
Part No	AL03422
Capacity	2500 Kg
Strap	50mm W x 6000mm L
Weight incl strap.	2.7 Kg



SPARE PARTS	
P/No	DESCRIPTION
AL01618	WINCH ONLY
AL03538	STRAP



## ACCESSORIES AND SPARES

ROCK WINCHES / ACCESSORIES AND SPARES



Aline Trading offers a selection of accessories designed to aid in the performance and versatility of our winches. Our winch accessories are made from quality materials and like our winches represent value for money.

## CABLE GUIDE ROLLERS

ROCK WINCHES / ACCESSORIES AND SPARES / CABLE GUIDE ROLLERS



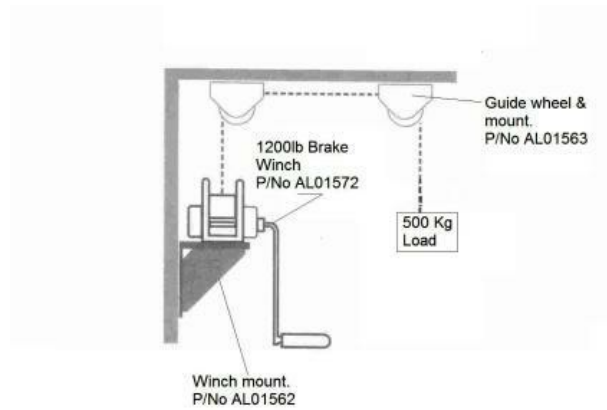
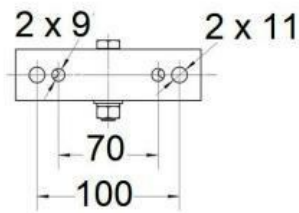
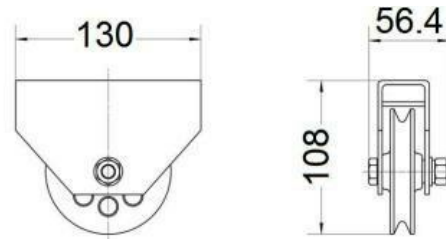


**Part Number AL01563**

This guide roller with mount is designed for use with hand winches up to 1200lb capacity (500kg).

The housing is made from pressed steel with a solid roller and Zinc plated for added corrosion resistance.

Note: These rollers can be used with our winch mount AL01562 to make a cable guide system for your winch. These systems are common on grain bin covers, stock crate gates etc.



## GUIDE ROLLER

ROCK WINCHES / ACCESSORIES AND SPARES / CABLE GUIDE ROLLERS / GUIDE ROLLER



Part No AL01564

These cable rollers are made from solid steel and zinc plated. They are the same roller as used in our AL01563 roller assemblies. The roller on its own can be used for many applications including fabricated cable guides and door rollers.

Specifications	
Part No	AL01564
Material	Steel - zinc plated
Diameter	88mm
Width	16.7mm
Bore	16.27mm
Width across hub.	27.7mm



## WINCH MOUNTS

ROCK WINCHES / ACCESSORIES AND SPARES / WINCH MOUNTS

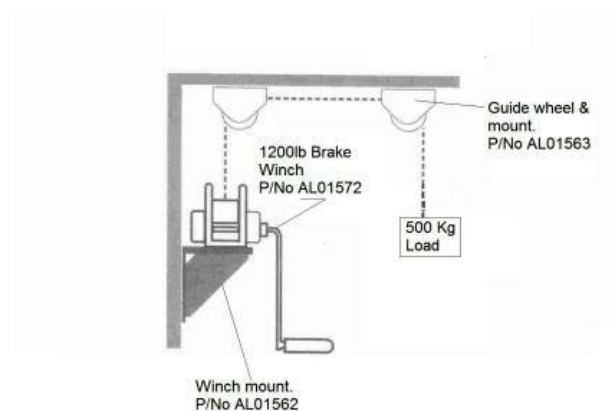


This winch mount is designed for use with hand winches up to 1200lb capacity (500kg).

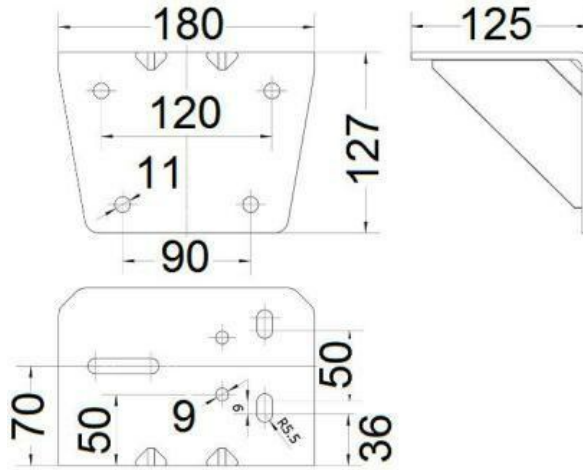
The mount is fabricated from pressed steel and then zinc plated. It is designed to be bolted in position but can also be welded.

Part Number = AL01562

Note: These mounts can be used with our guide rollers AL01563 to make a cable guide system for your winch. These systems are common on grain bin covers, stock crate gates etc.







## FAIRLEADS

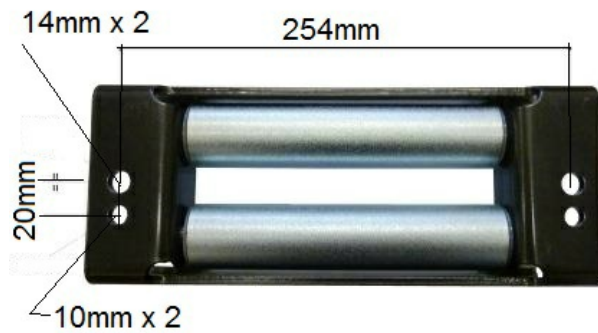
ROCK WINCHES / ACCESSORIES AND SPARES / FAIRLEADS



### Roller Fairlead

**Part Number AL01394**

A quality roller fairlead suited to larger 9000 to 12000lb winches.



## WIRELESS REMOTE CONTROL UNIT

ROCK WINCHES / ACCESSORIES AND SPARES / WIRELESS REMOTE CONTROL UNIT



Optional wireless remote control unit.

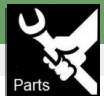
Suitable for use with all new model ROCK 12V electric winches using a 4 or 5 pin plug.

PART No	DESCRIPTION
AL02726	5 PIN
AL02728	4 PIN



## WINCH SPARE PARTS

ROCK WINCHES / ACCESSORIES AND SPARES / WINCH SPARE PARTS



This section details the more commonly requested spare parts.

Other parts are kept in stock including: Cable clamps, Strap bolts, Solenoid boxes, Pendant controls etc.

## CABLES

ROCK WINCHES / ACCESSORIES AND SPARES / WINCH SPARE PARTS / CABLES



Spare cables are available to suit our range of winches.

Part No	Winch size	Description
AL02432	900 lb	4mm x 6m with S hook
AL02433	900lb	4mm x 6m with safety hook
AL02434	1200lb	4mm x 10m with S hook
AL02435	1200lb	4mm x 10m with safety hook
AL02436	2000lb	6.35mm x 10m with safety hook
AL02437	3500lb	7.94mm x 10m with safety hook
AL02427	2200lb	4.76mm x 15.2m with safety hook
AL02428	3500lb	5.56mm x 13.7m with safety hook
AL02429	6000lb	7.94mm x 26m with safety hook
AL02430	9000/12000lb	9.30mm x 30m with safety hook

## STRAPS

ROCK WINCHES / ACCESSORIES AND SPARES / WINCH SPARE PARTS / STRAPS



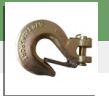
Spare straps are available to suit our range of hand and brake winches.

Part No	Winch Size	Description
AL02517	900 lb	Strap 50mm x 4m with safety hook
AL02518	900 lb	Strap 50mm x 4m with S hook
AL02519	1500 lb	Strap 50mm x 6.1m with S hook
AL02520	< 2500 lb	Strap 50mm x 6.1m with safety hook



## SAFETY HOOK

ROCK WINCHES / ACCESSORIES AND SPARES / WINCH SPARE PARTS / SAFETY HOOK



Part No AL02447

Safety hook with loose pin to suit 1/4" cable



## HANDLES

ROCK WINCHES / ACCESSORIES AND SPARES / WINCH SPARE PARTS / HANDLES



Aline Trading P/L stock the following handles to suit our range of ROCK hand and brake winches.

Part No	FITS
AL01632	RHW 1200
AL01639	RHW 2000
AL01644	RPW 3200
AL01569	RBW 1500
AL01575	RBW 2500/3500

## WHEEL AND TYRE ASSEMBLIES

WHEEL AND TYRE ASSEMBLIES



Aline Trading P/L presents a range of wheels, tyres and castors suitable for many applications in the agricultural and industrial markets.

The product shown in these pages are our standard stocked range.

Other models are available to order. Minimum quantities may apply.

Please contact us today with your requirements.

## PICKING TROLLEY WHEELS

WHEEL AND TYRE ASSEMBLIES / PICKING TROLLEY WHEELS



Aline Trading Pty Ltd present a selection of durable, lightweight wheels developed for fruit picking trolleys and other similar cyclic load uses.



### Golf Buggy Style.

WHEEL AND TYRE ASSEMBLIES / PICKING TROLLEY WHEELS / Golf Buggy Style.



These wheels have been designed for use on fresh fruit picking / packing trolleys. They are made from strong, light weight, UV stabilised materials.

Features:

- Improved design including larger spoke & rim reinforcement for additional strength.
- UV Stabilized materials for longer in field life.
- Improved bearing bush design.
- 40 kg load capacity.

<b>Part No</b>	AL01551
<b>Diameter x Width</b>	233mm x 70mm
<b>Centre Bore.</b>	12.9mm
<b>Centre hub width</b>	60mm
<b>Unit weight</b>	.7 Kg
<b>Load capacity</b>	40Kg
<b>Spare bush - P/No</b>	AL01554



## Air Free

WHEEL AND TYRE ASSEMBLIES / PICKING TROLLEY WHEELS / Air Free



Specially designed for picking trolleys, the Standard duty 4.10/3.50-4 air free tyre and wheels are made with a single piece wheel and welded bearing hub to give strength and reduced weight.

Available in 4 centre options.

Part No	Bearing Diameter	Hub Width
AL0234	1/2"	57mm offset
AL02735	5/8"	57mm offset
AL02737	3/4"	57mm offset
AL02761	3/4"	97mm centred

<b>Diameter</b>	260mm
<b>Section Width</b>	81mm
<b>Capacity</b>	100kg
<b>Bearing</b>	1/2", 5/8" or 3/4" H/Speed
<b>Centre Hub</b>	57mm offset or 97mm centred



## AIR FREE - NO MORE FLAT TYRES

WHEEL AND TYRE ASSEMBLIES / AIR FREE - NO MORE FLAT TYRES

Aline Trading P/L presents a range of Air Free semi solid tyre and wheel assemblies suitable for low speed off-road applications in the agricultural, recreational and industrial markets.

Existing customers include transport companies, construction contractors, gas delivery contractors, recyclers, farmers, removalists and landscape gardeners.

These semi solid tyres are constructed from a special compound that gives the advantages of a stable puncture proof solid tyre while retaining the softer ride and handling of a pneumatic tyre.

Most suitable for intermittent loads.



4.10/3.50 x 4

WHEEL AND TYRE ASSEMBLIES / AIR FREE - NO MORE FLAT TYRES / 4.10/3.50 x 4



The Heavy Duty 4.10/3.50-4 air free tyre and wheel assemblies are designed for use on most standard sack trucks and other applications involving cyclic loads.

Part No	Bearing Diameter	Hub Width
AL02734	1/2"	57mm offset
AL02735	5/8"	57mm offset
AL02737	3/4"	57mm offset
AL02738	3/4" 2pce wheel	57mm offset
AL02739	5/8"	97mm centered
AL02761	3/4"	97mm centered

Diameter	260mm
Section Width	81mm
Capacity	120kg
Bearings	1/2" - 5/8" or 3/4" H/Speed
Centre Hub	57mm offset or 97mm centred



AL02760 - 12x3.5x6

WHEEL AND TYRE ASSEMBLIES / AIR FREE - NO MORE FLAT TYRES / AL02760 - 12x3.5x6



The 12/3.50-6 Air Free assembly is ideal for larger bag trollies, small wheel barrow's and other cyclic load applications.

Part Number	AL02760
Diameter	305mm
Section Width	90mm
Capacity	160 Kg
Bearing	16mm H/S
Centre Hub	57mm - Centered



### AL01546 - 13x5x6

WHEEL AND TYRE ASSEMBLIES / AIR FREE - NO MORE FLAT TYRES / AL01546 - 13x5x6



The 13/5.00 x 6 is a very popular tyre size and is now available in air free.  
 Designed for cyclic load applications.  
 Never get a flat tyre again!

<b>Part Number</b>	AL01546
<b>Diameter</b>	297mm
<b>Section Width</b>	110mm
<b>Capacity</b>	200 Kg
<b>Bearing</b>	25mm (6205)
<b>Centre Hub</b>	100mm



### AL02749 - 16x4.00x8 3/4" BEARING

WHEEL AND TYRE ASSEMBLIES / AIR FREE - NO MORE FLAT TYRES / AL02749 - 16x4.00x8 3/4" BEARING



Perfect as a replacement wheel for most standard wheel barrows fitted with a 4.10/3.50x8 or 4.00x8 tyre and 3/4" bearing, or similar cyclic load applications.  
 Never get a flat tyre again!

<b>Part No</b>	AL02749
<b>Diameter</b>	390mm
<b>Section width</b>	92mm
<b>Capacity</b>	120Kg
<b>Bearing</b>	3/4" low speed
<b>Centre hub</b>	87mm center mounted



#### AL02750 - 16x4x8 1" BEARING

WHEEL AND TYRE ASSEMBLIES / AIR FREE - NO MORE FLAT TYRES / AL02750 - 16x4x8 1" BEARING



Perfect as a replacement wheel for most standard wheel barrows fitted with a 4.10/3.50x8 or 4.00x8 tyre and 1" bearing, or similar cyclic load applications.  
Never get a flat tyre again!

<b>Part No</b>	AL02750
<b>Diameter</b>	390mm
<b>Section width</b>	92mm
<b>Capacity</b>	120Kg
<b>Bearing</b>	1" high speed
<b>Centre hub</b>	87mm center mounted



#### AL01542 - 16x6.50x8

WHEEL AND TYRE ASSEMBLIES / AIR FREE - NO MORE FLAT TYRES / AL01542 - 16x6.50x8



The 16/6.50 x 8 is a very popular tyre size and is now available in air free.



Perfect for large wheel barrows (See photo below) and many other cyclic load applications.  
 Never get a flat tyre again!

<b>Part No</b>	AL01542
<b>Diameter</b>	396mm
<b>Section width</b>	153mm
<b>Capacity</b>	150Kg
<b>Bearing</b>	25mm (6205)
<b>Centre hub</b>	100mm center mounted



## PNEUMATIC - BEARING MOUNT

WHEEL AND TYRE ASSEMBLIES / PNEUMATIC - BEARING MOUNT



Aline Trading P/L present a range of pneumatic tyre and wheel assemblies suitable for lighter duty applications such as hand trolleys, sack trucks, portable workshop equipment and light duty off-road trailers in the agricultural, recreational and industrial markets.  
 Note: For applications requiring higher duty product please see our range of stud mount ATV /Turf tyre and wheel assemblies in the next section.

## AL01529 - 8 x 2.5 x 4

WHEEL AND TYRE ASSEMBLIES / PNEUMATIC - BEARING MOUNT / AL01529 - 8 x 2.5 x 4



Compact and strong. Popular on workshop carts, trolleys, air compressors etc.

<b>Part No</b>	AL01529
<b>Diameter</b>	203mm
<b>Section Width</b>	62mm
<b>Ply</b>	4 ply
<b>Capacity</b>	150 kg
<b>Bearing</b>	3/4" H.S 20 Km/Hr
<b>Centre hub width</b>	60mm central
<b>Weight</b>	1.26 kg



#### TWA0548 - 13 x 5.00 x 6 - 6 PLY

WHEEL AND TYRE ASSEMBLIES / PNEUMATIC - BEARING MOUNT / TWA0548 - 13 x 5.00 x 6 - 6 PLY



A popular size for trolleys, farm equipment and commercial applications requiring a wider tread section.

<b>Part No</b>	TWA0548
<b>Diameter</b>	306 mm
<b>Section Width</b>	135 mm
<b>Ply</b>	6
<b>Capacity</b>	240 kg
<b>Bearing</b>	25mm (6205) high speed 20kph
<b>Centre hub width</b>	100 mm centred
<b>Weight</b>	3.4 kg



TWA0044 - 15 x 6.00 x 6 - 6 PLY

WHEEL AND TYRE ASSEMBLIES / PNEUMATIC - BEARING MOUNT / TWA0044 - 15 x 6.00 x 6 - 6 PLY



A popular model for larger trolleys, small low speed garden / ATV trailers and many other applications.

<b>Part No</b>	TWA0044
<b>Diameter</b>	366 mm
<b>Section Width</b>	153 mm
<b>Ply</b>	6
<b>Capacity</b>	270 kg
<b>Bearing</b>	25mm (6205) high speed 20kph
<b>Centre hub width</b>	100 mm centred
<b>Weight</b>	4.5 kg



TWA0032 - 4.00/4.80 x 8 - 6 PLY

WHEEL AND TYRE ASSEMBLIES / PNEUMATIC - BEARING MOUNT / TWA0032 - 4.00/4.80 x 8 - 6 PLY



A Popular size used for many applications.

<b>Part No</b>	TWA0032
<b>Diameter</b>	400 mm
<b>Section Width</b>	118 mm
<b>Ply</b>	6
<b>Capacity</b>	340 kg
<b>Bearing</b>	25mm (6205) high speed 20 kph
<b>Centre hub width</b>	80 mm centred
<b>Weight</b>	5.3 kg



**TWA0403 - 16 x 6.50 x 8 - 6 PLY**

WHEEL AND TYRE ASSEMBLIES / PNEUMATIC - BEARING MOUNT / TWA0403 - 16 x 6.50 x 8 - 6 PLY



A popular trolley / barrow wheel for applications requiring a larger rolling diameter.

<b>Part No</b>	TWA0403
<b>Diameter</b>	400 mm
<b>Section Width</b>	160 mm
<b>Ply</b>	6
<b>Capacity</b>	355kg
<b>Bearing</b>	25mm (6205) high speed 20kph
<b>Centre hub width</b>	100 mm centred
<b>Weight</b>	6.5 kg



**TWA0419 - 18 x 8.50 x 8 - 6 PLY**

WHEEL AND TYRE ASSEMBLIES / PNEUMATIC - BEARING MOUNT / TWA0419 - 18 x 8.50 x 8 - 6 PLY



A popular choice for larger trolleys and small garden or ATV trailers.

<b>Part No</b>	TWA0419
<b>Diameter</b>	463 mm
<b>Section Width</b>	208 mm
<b>Ply</b>	6
<b>Capacity</b>	475kg
<b>Bearing</b>	25mm (6205) high speed 20 kph
<b>Centre hub width</b>	100 mm
<b>Weight</b>	8.4 kg



### TWA0578 - 20 x 10.00 x 8 - 6 PLY

WHEEL AND TYRE ASSEMBLIES / PNEUMATIC - BEARING MOUNT / TWA0578 - 20 x 10.00 x 8 - 6 PLY



A popular choice for increased flotation and capacity.

<b>Part No</b>	TWA0578
<b>Diameter</b>	506 mm
<b>Section Width</b>	238 mm
<b>Ply</b>	6
<b>Capacity</b>	700 kg
<b>Bearing</b>	25mm (6205) high speed 20 kph
<b>Centre hub width</b>	100 mm
<b>Weight</b>	9.6 kg





<b>Part No</b>	TWA0569
<b>Diameter</b>	548mm
<b>Section Width</b>	247 mm
<b>Ply</b>	6
<b>Capacity</b>	180 kg
<b>Bearing</b>	25mm (6205) high speed 20 kph
<b>Centre hub width</b>	100 mm
<b>Weight</b>	10.8 kg



Bearing Mount Wheels.



Aline Trading P/L present a range of 6â€ - 8" diameter single piece bearing mount wheels. These wheels are fitted with a 25mm (6205) high speed bearing and are suited to lower speed applications where the 6205 bearing and seal are sufficient. Maximum Speed rating = 25km/hr.

SINGLE PIECE BEARING MOUNT WHEELS.			
Part No	Description		
	Diameter	Width	Bearing
AL03229	6"	4.25"	6205 - 25mm
AL03062	8"	3.75"	6205 - 25mm
AL03165	8"	5.375"	6205 - 25mm
AL03200	8"	7.00"	6205 - 25mm



## CASTORS

WHEEL AND TYRE ASSEMBLIES / CASTORS



Aline Trading P/L presents a range of castor wheels suitable for use in the agricultural and industrial markets. These products include solid, air free (semi solid) and the very popular segmented wheels used on slashers.

## SOLID INDUSTRIAL CASTORS

WHEEL AND TYRE ASSEMBLIES / CASTORS / SOLID INDUSTRIAL CASTORS



These Heavy duty castors are suitable for use in industrial and agricultural applications.

Features:

- Cast iron, greasable wheels.
- Rubber mold on solid tyres
- Solid zinc plated steel frames.
- Roller bearing.

### Swivel Castor - Unbraked

Part Number	Size	Capacity	Height	Offset
AL02837	100 x 50	130kg	135	20
AL02829	150 x 50	230kg	189	36
AL02833	200 x 50	280kg	235	39.5

### Swivel Castor - Braked

Part Number	Size	Capacity	Height	Offset
AL02838	100 x 50	130kg	135	20
AL02830	150 x 50	230kg	189	36
AL02834	200 x 50	280kg	235	39.5

### Fixed Castor - Unbraked

Part Number	Size	Capacity	Height	Offset
AL02835	100 x 50	130kg	135	0
AL02827	150 x 50	230kg	189	0
AL02831	200 x 50	280kg	235	0

### Fixed Castor - Braked

Part Number	Size "	Capacity	Height	Offset
AL2836	100 x 50	130kg	135	0
AL02828	150 x 50	230kg	189	0
AL02832	200 x 50	280kg	235	0

### Mounting information

Mount plate size	Mount hole pattern	Hole size
115mm x 100mm	85mm x 73mm	20mm x 11mm



## SOLID INDUSTRIAL PU CASTORS

WHEEL AND TYRE ASSEMBLIES / CASTORS / SOLID INDUSTRIAL PU CASTORS



These quality solid castors are available in either fixed or swivel styles. They are made from strong yet lightweight materials that make them suitable for a wide range of applications.

Tyre = Polyurethane.

Wheel = Polypropylene.

Bearings = Ball Bearing.

P/No	Wheel Size	Style	Cap Kg	Height
AL02842	150 x 50	Fixed	320	189
AL02843	150 x 50	Swivel	320	189

Mounting information		
Mount plate size	Mount hole pattern	Hole size
115mm x 100mm	85mm x 73mm	20mm x 11mm



## PREMIUM GRADE CASTORS & WHEELS.

WHEEL AND TYRE ASSEMBLIES / CASTORS / PREMIUM GRADE CASTORS & WHEELS.



Aline Trading P/L can supply a range of premium quality castors & wheels to suit your needs.

Made in Germany from the best materials and manufacturing methods available the range covers light to very heavy duty applications using a range of styles and materials.

Contact us today to discuss your requirements.



Wheels and castors for all types of applications



TPE CASTORS 50mm

WHEEL AND TYRE ASSEMBLIES / CASTORS / PREMIUM GRADE CASTORS & WHEELS. / TPE CASTORS 50mm



These light duty castors are supplied with a top plate fitting and wheels made with thermoplastic rubber tread and polypropylene wheel centre.

**Bracket:** Made of pressed steel, with double ball bearing in the swivel head, strong central kingpin, ball protection by the special top plate and ball disc design. The special dynamic riveting process of the swivel head results in minimal swivel head play and smooth rolling characteristics with an increased service life achieved by the work hardening of the ball race grooves. Bolted wheel axle. Zinc-plated.

**Wheels:** Made of high-quality thermoplastic rubber elastomer (TPE), high operational comfort, low-noise operation, low rolling and swivelling resistance, good floor preservation, chemically bonded for an inseparable connection to the wheel centre.

**Tread/tyre:** Made of thermoplastic rubber elastomer (TPE) contains traces of oil.

**Wheel centre/rim:** Made of high-quality, impact-resistant polypropylene chemically bonded.

Stocked sizes shown below. Other sizes available to order.

Part No	Description
AL02824	Swivel braked.
AL02825	Swivel
AL02826	Rigid

SPECIFICATIONS	
Plate Size	60mm x 60mm
Bolt hole spacing	38x38 /48x48 slotted
Bolt hole	6.2mm
Wheel Dia	50mm
Wheel width	19mm
Capacity	50kg
O/A Height	71mm
Weight	.2kg
Bearing	Ball Bearing





## SEGMENTED SLASHER WHEELS

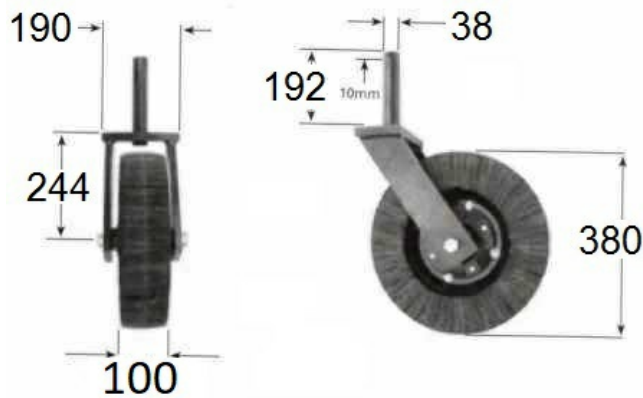
WHEEL AND TYRE ASSEMBLIES / CASTORS / SEGMENTED SLASHER WHEELS



Our segmented castor wheel assembly offers a strong, reliable and environmentally friendly product suitable for use as trailing wheels on slashers, mulchers and numerous other applications.

Spare parts are also available. See bottom of page.

4.00-8 tyre	
<b>Part number</b>	AL02062
<b>Model</b>	SW48L
<b>Capacity</b>	500kg @ 15kph
<b>Wheel diameter</b>	380mm
<b>Wheel section width</b>	100mm
<b>Weight</b>	26kg



**Spare Parts**

<b>AL02063</b>	4.00 x 8 Wheel and tyre only.
<b>AL02061</b>	Hub complete with bearings, seals and sleeve.
<b>AL02060</b>	Fork.
<b>AL02059</b>	Axle bolt and nut.



Aline Trading P/L presents a range of solid tyre and wheel assemblies suitable for low speed off-road applications in the agricultural, recreational and industrial markets.

NOTE: For higher load or duty rated product please check our premium range of solid tyre and wheel assemblies.

AL02742 - 8 x 2.5

WHEEL AND TYRE ASSEMBLIES / SOLID / AL02742 - 8 x 2.5



<b>Part Number</b>	AL02742
<b>Model</b>	8 x 2.5 solid
<b>Diameter</b>	205mm
<b>Section width</b>	65mm
<b>Capacity</b>	120 kg
<b>Bearing</b>	3/4" low speed 5kph
<b>Centre hub</b>	54mm offset
<b>Weight</b>	2.8 kg



AL02743 - 10 x 2.5

WHEEL AND TYRE ASSEMBLIES / SOLID / AL02743 - 10 x 2.5



Suitable for a wide range of applications including Domestic, Agricultural and Industrial.

<b>Part Number</b>	AL02743
<b>Model</b>	10x2.5 solid
<b>Diameter</b>	250mm
<b>Section width</b>	66mm
<b>Capacity</b>	150kg
<b>Bearing</b>	3/4" low speed 5kph
<b>Centre hub</b>	72mm centred
<b>Weight</b>	4 kg



AL02744 - 13 x 2

WHEEL AND TYRE ASSEMBLIES / SOLID / AL02744 - 13 x 2



<b>Part Number</b>	AL02744
<b>Model</b>	13 x 2 solid
<b>Diameter</b>	325mm
<b>Section width</b>	54mm
<b>Capacity</b>	150kg
<b>Bearing</b>	3/4" low speed 5kph
<b>Centre hub</b>	90mm centred
<b>Weight</b>	4.4 kg



AL02845 - 150 x 50

WHEEL AND TYRE ASSEMBLIES / SOLID / AL02845 - 150 x 50



Aline Trading Pty Ltd

AL02845: A strong durable wheel. Use as a spare for our range of 150 mm castors, a replacement wheel for jockey wheels or many other applications.

Features:

- Cast iron, greasable wheels.
- Rubber mould on solid tyres.
- H/Duty needle roller bearing with centre sleeve.

<b>Part No</b>	AL02845
<b>Size</b>	150mm x 50mm
<b>Capacity</b>	230 Kg
<b>Centre Width</b>	63mm
<b>Bearing</b>	3/4" needle roller.
<b>Sleeve</b>	1/2" bore.



AL02846 200 x 50

WHEEL AND TYRE ASSEMBLIES / SOLID / AL02846 200 x 50



Aline Trading Pty Ltd

AL02846: A strong durable wheel. Use as a spare for our range of 200 mm castors, a replacement wheel for jockey wheels or many other applications.

Features:

- Cast iron, greasable wheels.
- Rubber mould on solid tyres.
- H/Duty needle roller bearing with centre sleeve.

<b>Part No</b>	AL02846
<b>Size</b>	200mm x 50mm
<b>Capacity</b>	280 Kg
<b>Centre Width</b>	63mm
<b>Bearing</b>	3/4" needle roller.
<b>Sleeve</b>	1/2" bore.



## AL02844 - 150 x 50 PU

WHEEL AND TYRE ASSEMBLIES / SOLID / AL02844 - 150 x 50 PU



Aline Trading Pty Ltd

These quality solid PP wheels are made from strong yet lightweight materials that make them suitable for a wide range of applications. They are fitted with a quality 20 mm bearing and a sleeve with nylon bushes that reduce the bore to suit a 12 mm shaft.

Tyre = Polyurethane.

Wheel = Polypropylene.

Bearings = Ball Bearing.

<b>PartNo</b>	AL02844
<b>Size</b>	150mm x 50mm
<b>Capacity</b>	320 Kg
<b>Centre Width</b>	59mm
<b>Bearing</b>	20mm
<b>Sleeve</b>	With bush = 12mm No Bush = 16mm



Side view showing bearing seal and centre tube.



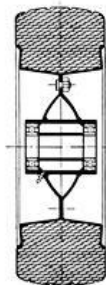
## SOLID PREMIUM EUROPEAN RANGE

WHEEL AND TYRE ASSEMBLIES / SOLID PREMIUM EUROPEAN RANGE



Aline Trading P/L present a range of premium quality European made solid tyre and wheel assemblies. These products have been designed especially for the harsh environments encountered in the agricultural and industrial markets.

Part No	Overall Diameter	Section Width	Bearing	Hub Width	Load Capacity	Speed Rating
AL03092	400mm	100mm	25mm	80mm	350kg	25kmph
AL03057	360mm	100mm	25mm	80mm	320kg	25kmph
AL03093	250mm	65mm	20mm	60mm	300kg	25kmph



AL03092



AL03057





AL03093



## TRAILER WHEELS AND TYRES 8"-12"

WHEEL AND TYRE ASSEMBLIES / TRAILER WHEELS AND TYRES 8"-12"



Aline Trading present a range of small diameter (8â€-12â€) wheels and tyres suitable for a wide range of applications including, small trailers, agricultural machinery & Industrial equipment.

The wheel range is divided into 2 sections.

- 1. Single piece hub mount wheels.** These wheels have a hub mount centre and are designed to be used with one of our standard stub axle assemblies. The hub mount makes them more robust and suitable for higher load applications. A maximum speed of 100km/hr. may be obtained on some of these wheels depending on the application and rating of the tyre being fitted.
- 2. Two piece hub mount wheels.** These wheels are supplied with the popular HT Holden or Ford drilling and are based on a 2 piece forklift wheel for additional strength. They are suited to low speed trailers that have a higher load rating and require a low overall wheel height. The thicker centre material offers additional strength both for radial load and the twisting affect encountered when turning a tandem trailer. A range of tyres are available for these wheels, the most popular is our Industrial block pattern.

SINGLE PIECE HUB MOUNT WHEELS			
Part No	Description		
	Diameter	Width	PCD/Fitment
AL03189	8"	3.75"	4/101.6 - MINI
AL03255	8"	3.75"	4/101.6 - MINI - GALV
AL03158	8"	3.75"	5/114.3 - FORD
AL03228	8"	3.75"	5/107.95 - HT
AL03227	8"	5.375"	4/101.6 - MINI
AL03161	8"	5.375"	5/114.3 - FORD
AL03226	8"	5.375"	5/107.95 - HT
AL03225	8"	7.00"	4/101.6 - MINI
AL03224	8"	7.00"	5/114.3 - FORD
AL03353	8"	7.00"	5/114.3 - FORD - GALV
AL03059	9"	4.00"	5/114.3 - FORD
AL03221	10"	6.00"	4/101.6 - MINI
AL03199	10"	6.00"	5/114.3 - FORD
AL03163	10"	8.00"	4/101.6 - MINI
AL03232	12"	10.5"	5/114.3 - FORD



TWO PIECE HUB MOUNT WHEELS - HEAVY DUTY			
Part No	Dimensions		
	Diameter	Width	PCD/Fitment
AL03359	8"	3.00"	5/107.95 - HT HOLDEN
AL02839	8"	3.00"	5/114.3 - FORD
AL03358	9"	4.00"	5/107.95 - HT HOLDEN

Photo below: 5.00-8 8ply Industrial tyre fitted to 2.50-8 2 piece HT wheel.



The tyres listed below are the most commonly used for our range of stocked wheels above.  
Other sizes and tread patterns are available on request.

Note:

Tyres listed as highway pattern are suitable for on- road use. Speeds may vary. Industrial tyres are for low speed use only. Prolonged high speed work will result in tyre failure due to heat build up.

TYRES TO SUIT ABOVE WHEELS				
Part No	Size	Ply	Tread	capacity KG
AL03222	13/5.00-6 TL	6	TURF	240
AL03060	15/6.00-6 TL	6	TURF	270
AL03160	16/6.50-8 TL	6	TURF	355
AL03180	16/6.50-8 TL	4	LUG	280
AL03259	18/8.50-8 TL	6	TURF	475
AL03187	20/10.00-8 TL	6	TURF	700
AL03164	20.5/8.00-10 TL	12	TURF	760
AL03562	22/11.00-8 TL	6	KNobby	180
AL03223	26/12.00-12 TL	6	TURF	1113
AL03233	26/12.00-12 TL	8	LUG	1372
*****	*****	***	*****	*****
AL03159	4.80/4.00-8 TL	6	HIGHWAY	340
AL03192	5.00-8 TT	8	HIGHWAY	1100
AL03036	6.00/6.90-9 TL	10	HIGHWAY	690
AL02868	4.00-8	NA	SOLID RIB	710@25km
AL03372	5.00-8 TT	8	IND BLOCK	830
AL03105	5.00-8	NA	SOLID LUG	815@25km
AL03376	6.00-9 TT	10	IND BLOCK	1515
AL02869	6.00-9	NA	SOLID LUG	1290@25km

A tyre fitting service is available if tyre and wheel assemblies are required.

Shown below is a selection of popular tyre & wheel assemblies we supply for agricultural and other trailers.

Tread designs are indicative only and may change from time to time.

Photo below: 22/11.00-8 6ply knobby tyre on 8 x 7 4 hole wheel.



6.00/6.90 x 9 - 10 ply highway tyre fitted to a 4.00 x 9 five hole wheel. P.C.D. = 114.3mm (Ford)  
Note: Photo below shows tyre mounted on hub.



5.00 x 8 - 8 ply highway tyre fitted to a 3.75 x 8 five hole wheel. P.C.D. = 114.3mm (Ford)



Below.  
26/12.00 x 12 - 6 ply Turf Tyre fitted to a 10.00 x 12 wheel  
with 5/114.3 PCD ( Ford)



Below:

26/12.00 x 12 - 8 ply Lug Tyre fitted to a 10.00 x 12 wheel  
with 5/114.3 PCD ( Ford)



Some popular tyre and one pece wheel assemblies are listed below.

PART No	TYRE	WHEEL
TWA0646	4.80/4.00x8 - 6 ply H/Way	8x3.75-5/114.3 (Ford)
TWA0031	4.80/4.00x8 - 6 ply H/Way	8x3.75-4/10 1.6 (Mini)
TWA0253	5.00 x 8 - 8 ply H/Way	8x3.75 - 5/114.3 (Ford)
TWA0542	5.00 x 8 - 8 ply H/Way	8x3.75-5/107.95 (HT)
TWA0001	6.00/6.90x9 - 10 ply H/Way	9x4.00-5/114.3 ( Ford)
TWA0008	16/6.50x8 - 6 ply Turf	8x5.375-4/10 1.6( Mini)
TWA0399	16/6.50x8 - 6ply Turf	8x5.375-5/114.3 (Ford)
TWA0005	18/8.50x8 - 6 ply Turf	8x7.00-4/10 1.6 (Mini)
TWA0437	18/8.50x8 - 6 ply Turf	8x7.00-5/114.3 ( Ford)
TWA0007	20/10.00x8 - 6 ply Turf	8x7.00 - 5/114.3 (Ford)
TWA0024	20/10.00x8 - 6ply Turf	8x7.00 - 4/10 1.6 (Mini)
TWA0420	20.5/8.00x10 - 12ply Turf	10x6.0-5/114.3 (Ford)
TWA0472	22/11.00x8 - 6 ply Knobby	8x7.00-4/10 1.6 (Mini)
TWA0022	22/11.00x8 - 6 ply knobby	8x7.00-5/114.3 (Ford)
TWA0050	26/12.00x12 - 8ply Lug	12x10.5-5/114.3 (Ford)
TWA0051	26/12.00x12 - 6ply Turf	12x10.5-5/114.3 (Ford)

Tyre and heavy duty 2 piece split wheel assemblies listed below.

PART No	TYRE	WHEEL
AL03234	4.00x8 - SOLID RIB	3.00 x 8 2 pce 5/107.95 (HT)
TWA0096	5.00x8 - SOLID LUG	3.00 x 8 2 pce 5/107.95 (HT)
TWA0026	5.00x8 - SOLID LUG	3.00 x 8 2 pce 5/114.3 (FORD)
TWA0010	5.00X8 - 8ply INDUSTRIAL	3.00 x 8 2PCE 5/107.95(HT)
TWA0012	5.00X8 - 8ply INDUSTRIAL	3.00 x 8 2PCE 5/114.3 (FORD)
TWA0013	5.00X8 - 8ply HIGHWAY	3.00 x 8 2PCE 5/114.3 (FORD)
TWA0014	5.00 x 8 - 8 ply HIGHWAY	3.00 x 8 2PCE 5/107.95 (HT)
TWA0009	6.00/6.90x9 - 10 ply HIGHWAY	4.00 x 9 2PCE 5/107.95 ( HT)
TWA00025	6.00x9 - SOLID LUG	4.00 x 9 2PCE 5/107.95 (HT)
TWA0011	6.00X9 - 10PLY INDUSTRIAL	4.00 x 9 2PCE 5/107.95 (HT)

Below.

Solid 4.00 x 8 tyre on 2 piece HT pattern wheel.



## TRAILER WHEELS AND TYRES 12"-18"

WHEEL AND TYRE ASSEMBLIES / TRAILER WHEELS AND TYRES 12" - 18"



Aline Trading P/L presents a range of trailer wheels and tyres suitable for on highway trailer use and off highway applications like farm trailers, implements and industrial equipment.

Our tyres and wheels can be sold individually or fitted for your convenience.

The wheels listed below are our stocked range that suit many applications. Other variations are available to order for both on and off-road applications.

### Trailer Wheels

Part No	Size	Drilling	offset	finish
AL03102	4.00 X 12	Ford	+3mm	White
AL03121	4.50 x 13	Ford/HT Multi	0	White
AL03122	4.50 x 13	Ford/HT Muli	0	Gal
AL03099	6.0 x 14	Ford	-2.5mm	White
AL02509	6.0 x 14	Ford	-2.5	Black
AL03103	6.0 x 14	Ford	-2.5mm	Gal
AL03101	6.0 x 14	Toyota 6 stud	-2.5mm	White
AL03061	6.0 x 14	HT Holden	+10mm	White
AL03384	6.0 x 14	HQ Holden	+12mm	White
AL03100	7.0 x 15	Toyota 6 stud	+7mm	White
AL03104	8.0 x 15	Toyota 6 stud	-22mm	White
AL03550	9.0 x 15	5/140 Ag	0	Grey
AL03435	9.0 x 15.3	6/205 Ag	0	Silver
AL02505	13 x 15.5	6/205 Ag	0	Silver
AL03113	7.0 x 16	Toyota 6 stud	+20mm	White
AL03108	7.0 x 16	Toyota 5 stud	+20mm	White
AL03109	8.0 x 16	Toyota 6 stud	-22mm	White
AL03503	9.0 x 18	6/205 Ag	0	Silver
AL03504	11.0 x 18	6/205 Ag	0	Silver



## Tyres

The tyres listed below are our most popular sizes for trailer use and can be supplied loose or fitted to the above wheels. Many other sizes are available on request.

Part No	Size	Rating
AL03154	145R12C	80/78S - 450 Kg
AL03114	165R13C	94N - 670 Kg
AL03110	185R14C	102S - 850 Kg
AL03085	195R14C	106S - 950 Kg
AL03111	235/75R15	113/116S - 1250 Kg
AL03112	31x10.5R15	109S - 1030 Kg
AL03115	245/75R16	120Q - 1400 Kg
AL03117	265/75R16	123Q - 1550 Kg
<b>Ag tyres</b>		
AL03508	10.0/75-15.3 - 12ply	1700Kg @ 40km/hr
AL03437	11.5/80-15.3 - 12ply	2145Kg @ 40km/hr
AL03509	12.5/80-15.3 - 14ply	2385 Kg @ 40km/hr
AL02506	400/60-15.5 - 18ply	3450 Kg @ 40km/hr
AL02507	12.5/80-18 - 12ply	2625kg @ 40km/hr
AL02508	13.0/65-18 - 16ply	2750kg @ 40km/hr

Shown below is a selection of popular tyre & wheel assemblies available for agricultural and other trailers. Tread designs are indicative only and may change from time to time.

PART No	TYRE	WHEEL
TWA0390	145R12C	12 x 4.0 - 5/114.3 (Ford) - White Sunraysia.
TWA0015	165R13C	13 X 4.50 - 5/114.3 (Ford) - 5/107.95 (HT) Multi Drill - White Sunraysia.
TWA0016	165R13C	13 X 4.50 - 5/114.3 (Ford) - 5/107.95 (HT) Multi Drill - Galvanized Sunraysia.
TWA0020	185R14C	14 x 6.0 - 5/114.3 (Ford) - Black Sunraysia.
TWA0171	185R14C	14 x 6.0 - 5/114.3 (Ford) - White Sunraysia.
TWA0172	185R14C	14 x 6.0 - 5/120.65 (HQ HOLDEN) - White Sunraysia.
TWA0204	185R14C	14 x 6.0 - 5/114.3 (FORD) - Galvanized Sunraysia.
TWA0333	185R14C	14 x 6.0 - 5/107.95 (HT HOLDEN) - White Sunraysia.
TWA0342	185R14C	14 x 6.0 - 6/139.7 (Toyota) - White Sunraysia.
TWA0173	195R14C	14 x 6.0 - 5/120.65 (HQ) - White Sunraysia.
TWA0179	195R14C	14 x 6.0 - 5/114.3 (Ford) - White Sunraysia.
TWA0334	195R14C	14 x 6.0 - 5/107.95 (HT) - White Sunraysia.
TWA0343	195R14C	14 x 6.0 - 6/139.7 (Toyota) - White Sunraysia.
TWA0191	235/75R15	15 x 7.0 - 6/139.7 (Toyota) - White Sunraysia.
TWA0228	31/10.5R15	15 x 8.0 - 6/139.7 (Toyota) - White Sunraysia.
TWA0295	31/10.5R15	15 x 7.0 - 6/139.7 (Toyota) - White Sunraysia.
TWA0323	245/75R16	16 x 7.0 - 6/139.7 (Toyota) - White Sunraysia.
TWA0469	265/75R16	16 x 8.0 - 6/139.7 (Toyota) - White Sunraysia.
TWA0003	10.0/75-15.3 12ply-1700Kg	15.3 x 9.0 - 6/205 Ag - Silver
TWA0002	11.5/80-15.3 12ply-2145Kg	15.3 x 9 - 6/205 Ag - Silver
TWA0030	12.5/80-15.3 14ply-2385Kg	15.3 X 9.0 - 6/205 Ag - Silver
TWA0006	400/60-15.5 18ply-3450Kg	13.0 x 15.5 - 6/205 Ag - Silver
TWA0017	12.5/80-18 12ply-2625Kg	9.0 x 18 - 6/205 Ag - Silver
TWA0018	13.0/65-18 16ply-2750Kg	11.0 x 18 - 6/205 Ag - Silver

TWA0191 - 235/75R15 all-terrain tyre fitted to a 15 x 7 six hole wheel. P.C.D. = 139.7mm (Toyota)



TWA0342 - 185R14C Light Truck tyre fitted to a 14 x 6 six hole wheel. P.C.D. = 139.7mm (Toyota)





## OTHER TYRES

WHEEL AND TYRE ASSEMBLIES / OTHER TYRES

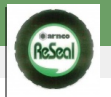


Apart from our stock selection of tyres, Aline Trading can source a wide range of tyres to suit your needs. This includes: Passenger, SUV, Commercial, ATV, Industrial, Turf and Agricultural. Please contact us today to discuss requirements.  
[www.irympetyres.com.au](http://www.irympetyres.com.au)



## RESEAL PUNCTURE PREVENTION

WHEEL AND TYRE ASSEMBLIES / RESEAL PUNCTURE PREVENTION



### **Arngo ReSeal**

**A Technologically Advanced, Environmentally Safe Tyre Sealant and Conditioner.**

**Prevent Punctures - Repair Leaks - Condition Rims.**

When next ordering your off-road tyre and wheel assemblies from Aline Trading P/L please enquire about having Arngo ReSeal added to your tyres.

ReSeal uses a technologically advanced proprietary blend of polymers and Kevlar fibres, to instantly and permanently seal punctures up to 6.3mm in diameter.

In addition to sealing punctures ReSeal:

- Maintains constant air pressure.
- Greatly improves fuel economy.
- Extends tyre life.
- Reduces costly down-time due to tyre repairs.
- Prevents corrosion of rims, valve stems and steel belts.

ReSeal can be used in many off-road tyre applications where tyre performance, efficiency and reduction of downtime are required.

Common uses include:

- Agricultural vehicles.
- All-terrain vehicles.
- Golf carts.
- Mowing equipment.
- Material handling equipment.

ReSeal is superior to other products because:

- ReSeal has a Kevlar\* and fibre blend with no moisture absorbing cloth. (\* Kevlar is a durable high-tensile fibre that is 5 times stronger than steel.)

- ReSeal™s special viscosity-enhanced formula has minimal separation. Other products can become solid in the tyre or separate in the container prior to use.
  - Reseal remains liquid at -32 deg C.
  - ReSeal has been extensively tested in-house and by independent sources for effectiveness, corrosion inhibitors and quality control.
  - ReSeal's formula is not flammable and is environmentally safer than ethylene glycol based products. Ethylene glycol can be fatal if swallowed.
  - ReSeal contains corrosion inhibitors to protect rims, valve stems and steel belts and allows easy cleaning of tyre with soap and water.
- Reseal can be used in tube and tubeless tyres. ReSeal is pumped into the tyre through the valve stem and remains liquid for the life of the mounted tyre. The volume of Reseal required is determined depending on the size of the tyre. As the tyre rotates centrifugal force spreads reseal evenly over the interior tyre tread area.
- When the tyre is punctured thousands of strong interlocking ReSeal fibres clot in and around the puncture to prevent any loss of air.
- Reseal does not affect tyre balance when installed at the recommended volume. However if the tyre needs to be balanced it should be done before installing ReSeal.



## TRAILER AND BODY EQUIPMENT

TRAILER AND BODY EQUIPMENT



Aline Trading P/L present a comprehensive range of components suitable for all forms of trailers, farm equipment and vehicle tray bodies.

## TOW EYES AGRICULTURAL AND INDUSTRIAL

TRAILER AND BODY EQUIPMENT / TOW EYES AGRICULTURAL AND INDUSTRIAL



Aline Trading P/L present a range of heavy duty quality European made tow eyes suitable for use on off-road farm and industrial trailers.

Available in rigid or swivel designs and a range of capacities to suit your needs.  
Please contact us today with your requirements.

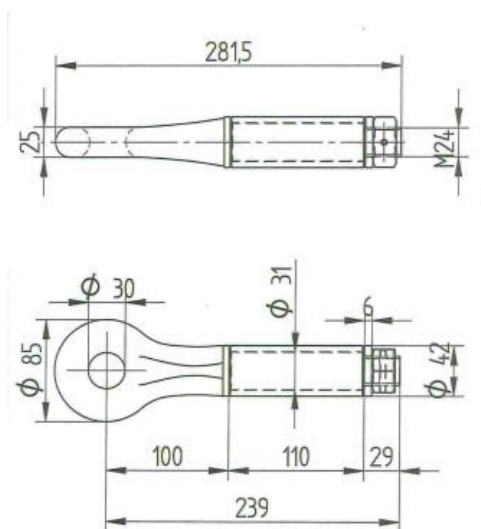
### AL02765 30mm SWIVEL 2500 Kg

TRAILER AND BODY EQUIPMENT / TOW EYES AGRICULTURAL AND INDUSTRIAL / AL02765 30mm SWIVEL 2500 Kg

The AL02765 is a weld on swivel tow eye suitable for agricultural and industrial applications.  
Made in Italy.



<b>Part number</b>	AL02765
<b>Type</b>	swivel
<b>Eye diameter</b>	30mm
<b>Shank diameter</b>	42mm
<b>Length</b>	281.5mm
<b>Pull load</b>	2500 kg
<b>vertical load</b>	400 kg
<b>Weight</b>	2.6kg



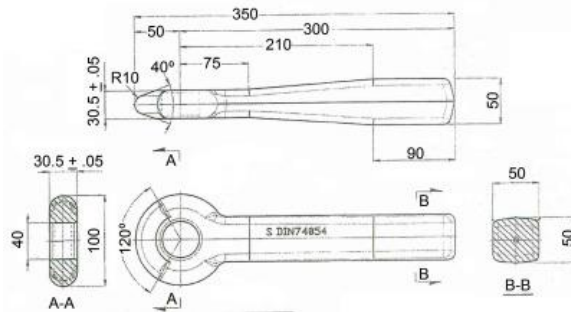
### AL02767 - 40mm RIGID 6000 Kg

TRAILER AND BODY EQUIPMENT / TOW EYES AGRICULTURAL AND INDUSTRIAL / AL02767 - 40mm RIGID 6000 Kg



The AL02767 is a rigid weld on tow eye suitable for agricultural or industrial applications.  
Product complies with rule 2015/208 EU (dimensions referred to ISO 8755:2001)  
Approval No: e1\*2015/208\*2015/208ND\*00177\*00  
Made in Italy.

<b>Part number</b>	AL02767
<b>Type</b>	Rigid
<b>Eye diameter</b>	40mm
<b>Shank</b>	50mm x 50mm
<b>Length</b>	350 mm
<b>Tongue thickness</b>	30.5mm
<b>Low speed capacities.</b>	
<b>Pull load</b>	6000 kg
<b>Dynamic load</b>	1000 kg
<b>Weight</b>	5.2kg
<b>Figures per 2015/208 EU</b>	
<b>Speed &lt; 40 km/h</b>	Dc= 24.3kN ; S =760 kg
<b>Speed &gt; 40 km/h</b>	Dc= 24.3kN ; S=550 kg
<b>Value D</b>	32kN when S=0



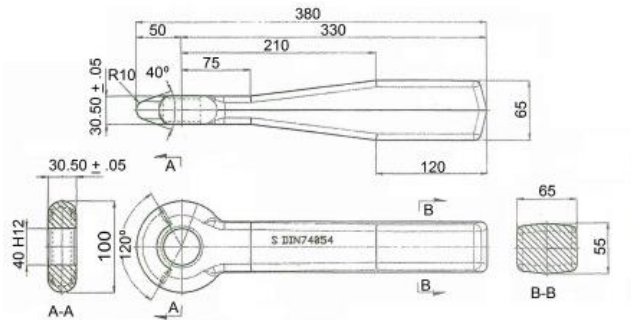
### AL00766 40mm RIGID 10000 Kg

TRAILER AND BODY EQUIPMENT / TOW EYES AGRICULTURAL AND INDUSTRIAL / AL00766 40mm RIGID 10000 Kg



The AL00766 is a rigid weld on tow eye suitable for agricultural or industrial applications.  
Product complies with rule 2015/208 EU (dimensions referred to ISO 8755:2001)  
Approval No: e1\*2015/208\*2015/208ND\*00016\*00  
Made in Italy.

<b>Part number</b>	AL00766
<b>Type</b>	Rigid
<b>Eye diameter</b>	40mm
<b>Shank</b>	55mm x 65mm
<b>Length</b>	380 mm
<b>Tongue thickness</b>	30.5mm
<b>Low Speed Capacities</b>	
<b>Pull load</b>	10000 kg
<b>Dynamic load</b>	1500 kg
<b>Weight</b>	6.8 KG
<b>Figures per 2015/208 EU</b>	
<b>Speed &lt; 40 km/h</b>	Dc=38kN ; S=1020 kg
<b>Speed &gt; 40 km/h</b>	Dc = 38kN ; S=700 kg
<b>Value D</b>	100 kN when S=0



### AL02763 45mm SWIVEL 6000 Kg

TRAILER AND BODY EQUIPMENT / TOW EYES AGRICULTURAL AND INDUSTRIAL / AL02763 45mm SWIVEL 6000 Kg



The AL02763 is a weld on swivel tow eye suitable for agricultural and industrial applications.  
Made in Italy.

<b>Part number</b>	AL02763
<b>Type</b>	swivel
<b>Eye diameter</b>	45mm
<b>Shank diameter</b>	60mm
<b>Length</b>	373.5mm
<b>Pull load</b>	6000 kg
<b>Dynamic load</b>	2150 kg
<b>Weight</b>	6.6 kg



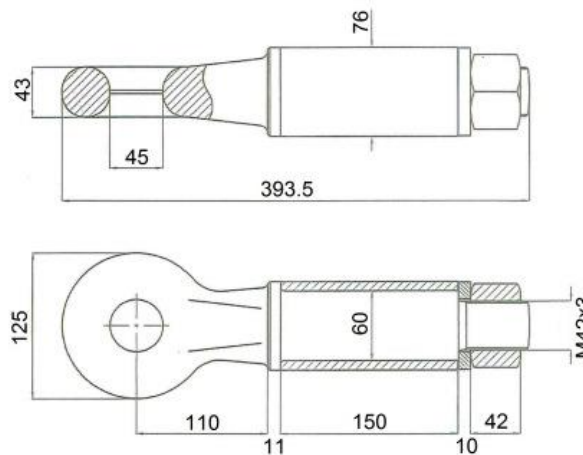
**AL02762 45mm SWIVEL 30000 Kg**

TRAILER AND BODY EQUIPMENT / TOW EYES AGRICULTURAL AND INDUSTRIAL / AL02762 45mm SWIVEL 30000 Kg



The AL02762 is a weld on swivel tow eye suitable for agricultural and industrial applications.  
Made in Italy.

<b>Part number</b>	AL02762
<b>Type</b>	swivel
<b>Eye diameter</b>	45mm
<b>Shank diameter</b>	76mm
<b>Length</b>	393.50mm
<b>Pull load</b>	30000 kg
<b>Dynamic load</b>	3500 kg
<b>Weight</b>	11.5 kg





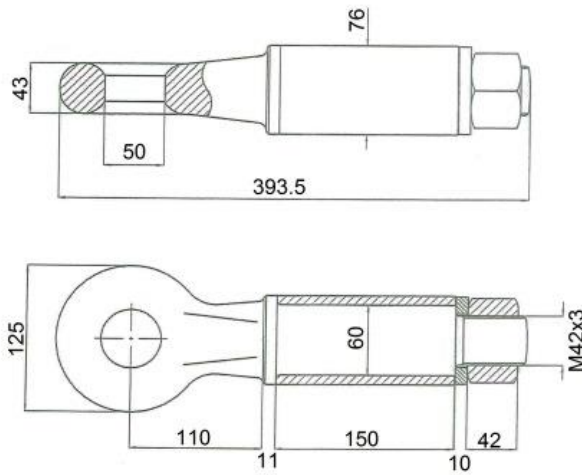
**AL00765 50mm SWIVEL 30000 Kg**

TRAILER AND BODY EQUIPMENT / TOW EYES AGRICULTURAL AND INDUSTRIAL / AL00765 50mm SWIVEL 30000 Kg



The AL00765 is a weld on swivel tow eye suitable for agricultural and industrial applications.  
Made in Italy.

<b>Part number</b>	AL00765
<b>Type</b>	swivel
<b>Eye diameter</b>	50mm
<b>Shank diameter</b>	76mm
<b>Length</b>	393.5 mm
<b>Pull load</b>	30000 kg
<b>vertical load</b>	3500 kg
<b>Weight</b>	12.5 kg



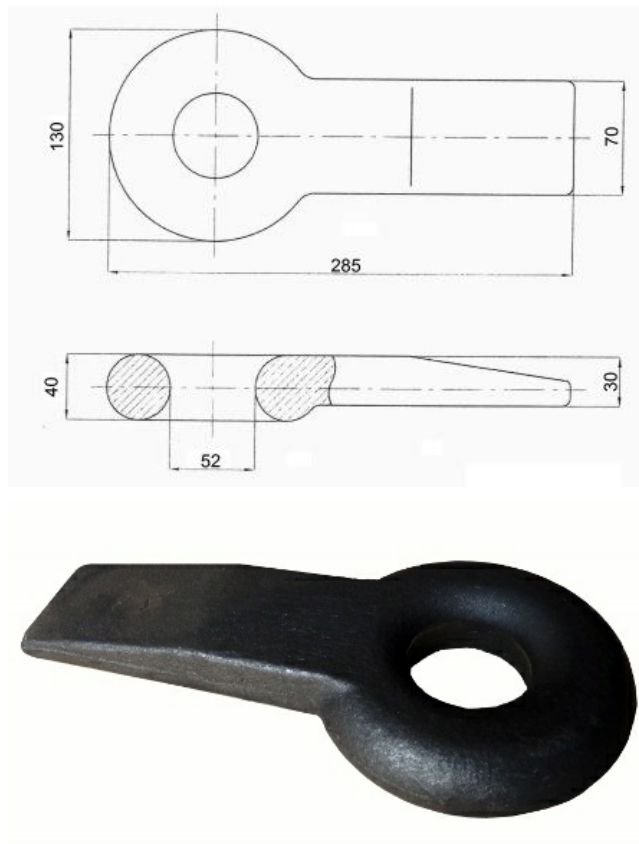
AL02766 52mm RIGID 14000 Kg

TRAILER AND BODY EQUIPMENT / TOW EYES AGRICULTURAL AND INDUSTRIAL / AL02766 52mm RIGID 14000 Kg



The AL02766 is a rigid weld on tow eye suitable for agricultural and industrial applications.  
Made in Italy.

<b>Part number</b>	AL02766
<b>Type</b>	Rigid
<b>Eye diameter</b>	52mm
<b>Shank</b>	70mm x 30mm
<b>Tongue thickness</b>	30mm
<b>Eye thickness</b>	40mm
<b>Pull load</b>	14000 kg
<b>Dynamic load</b>	1200 kg
<b>Weight</b>	5.5kg



AL02764 50mm SWIVEL 14000 Kg

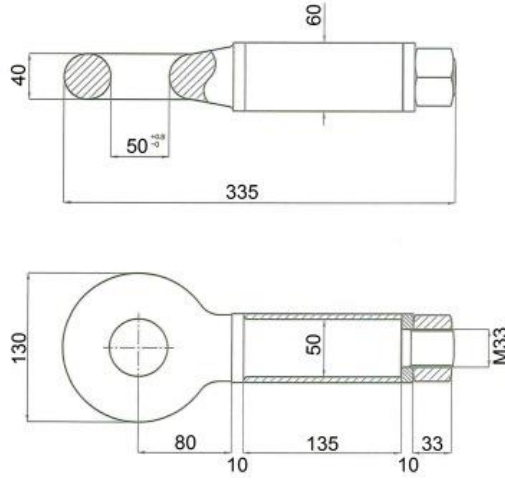
TRAILER AND BODY EQUIPMENT / TOW EYES AGRICULTURAL AND INDUSTRIAL / AL02764 50mm SWIVEL 14000 Kg



The AL02764 is a weld on swivel tow eye suitable for agricultural and industrial applications.  
Made in Italy.

<b>Part number</b>	AL02764
<b>Type</b>	swivel
<b>Eye diameter</b>	50mm
<b>Shank diameter</b>	60mm
<b>Length</b>	335mm
<b>Pull load</b>	14000kg
<b>Vertical load</b>	2000 kg
<b>Weight</b>	7.0 kg





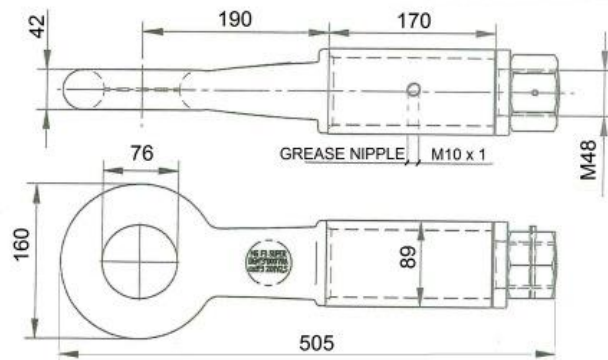
## AL02768 76mm SWIVEL 20000 Kg

TRAILER AND BODY EQUIPMENT / TOW EYES AGRICULTURAL AND INDUSTRIAL / AL02768 76mm SWIVEL 20000 Kg



The AL02768 is a heavy duty weld on swivel tow eye suitable for agricultural, industrial and mining applications.  
Made in Italy.

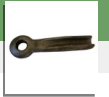
<b>Part number</b>	AL02768
<b>Type</b>	swivel
<b>Eye diameter</b>	76mm
<b>Shank diameter</b>	89mm
<b>Length</b>	505mm
<b>Pull load</b>	20000 kg
<b>Vertical load</b>	2500 kg
<b>Weight</b>	18.1 kg





## AL03196 40mm 120kN ROAD RATED

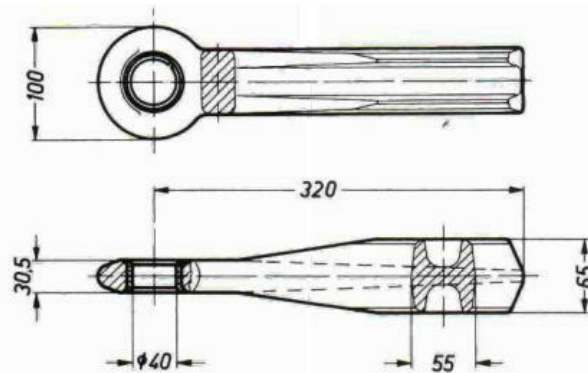
TRAILER AND BODY EQUIPMENT / TOW EYES AGRICULTURAL AND INDUSTRIAL / AL03196 40mm 120kN ROAD RATED



The AL03196 is a 40mm weld on road rated towing eye. This unit has a load rating of 120kN and is suitable for medium sized trailers. It is a popular choice for trucks and harvesters towing comb trailers and can be used in conjunction with our 40mm couplers shown under trailer couplings on this site.

Note: This model is supplied with a pressed in replaceable bush in the eye section.

<b>Part number</b>	AL03196
<b>Model</b>	ROE57374
<b>D value</b>	120 (kN)
<b>DIN</b>	74054-40A
<b>Eye size. ID x OD x Thickness</b>	40mm x 100mm x 30mm
<b>Weld in body section</b>	65H x 57W x 125L
<b>Centre of eye to weld in section</b>	210mm
<b>Overall length</b>	375mm
<b>Down Load</b>	250kg
<b>CRN</b>	41539
<b>Weight</b>	5 kg



### Welding

1. On- road drawbar eyes are provided for welding into the drawbar by electric arc welding, preferably done under a protective gas shield. Welding must be performed by a person qualified to work on such equipment. Regulations may vary from state to state.
2. The steel of the drawbar has to be weldable, e.g. made of St 37-2 or St 52-3 or any other compatible weldable steel with a carbon content of

less than 0.22%.

3. Remove all paint, grease and rust from welding surfaces. Heating up of drawbar eye to 200 - 250°C before beginning to weld is recommended.
4. The drawbar eye must not be welded within a length of \*mm measured from the middle of the drawbar eye access towards the back. This part should protrude out of the drawbar.
5. The welding should be exercised in one seam at a time only, in order to avoid overheating the surrounding space of the welding seam.
6. Carry the welding onwards to the direction of the drawbar eye access in one procedure.
7. All seams have to be laid in longitudinal direction of the drawbar eyes shaft. Never and by no means crosswise.
8. Each seam of welding should be set one by one diagonally opposite to the last one, so you maintain an even radiation of heat.
9. Cooling down of the welding should take place where the air is still; do not immerse into water or pour water over it.
10. If wanted, you can place slot welds through the lateral surface of the drawbars sectional steel. This is in order to attach the drawbar shaft to the drawbar additionally.
11. The thickness of the welding seams is to be approximately 8mm in full V- shape or half V-shape.
12. The thickness of the sectional connecting bars should be at least 8mm, better from 10mm - 12mm.

Drawbar eyes: \*

- 57268 DIN 65 x 55, 40mm = 210mm
- 57262 DIN 50 x 40, 40mm = 210mm
- 57260 DIN 40 x 40, 40mm = 210mm
- 57272 DIN + ISO 65 x 60, 50mm = 210mm
- 57254 Rockinger for 56, 561 and 702, 50mm = 195mm
- 57006 ring 41 strong, NATO, 76mm = 180mm

### AL03260 50mm 190kN ROAD RATED

TRAILER AND BODY EQUIPMENT / TOW EYES AGRICULTURAL AND INDUSTRIAL / AL03260 50mm 190kN ROAD RATED



The AL03260 is an on-road rated 50mm weld on towing eye. This unit has a load rating of 190kN and is suitable for larger road trailers. It can be used in conjunction with our 50mm auto coupler shown under trailer couplings on this site.

Note: This model is supplied with a pressed in replaceable bush in the eye section.

<b>Part number</b>	AL03260
<b>Model</b>	ROE57272
<b>D value</b>	190 (kN)
<b>DIN</b>	74053
<b>Eye diameter. ID x OD x Thickness</b>	50mm x 115mm x 45mm
<b>Weld in body section</b>	66H x 60W x 170L
<b>Centre of eye to weld in section.</b>	210mm
<b>Overall length</b>	430mm
<b>Down load</b>	1000 (kg)
<b>Weight</b>	9.1 (kg)
<b>CRN</b>	41941
<b>Material</b>	Heat treated steel ST 52-3



#### Welding

1. On- road drawbar eyes are provided for welding into the drawbar by electric arc welding, preferably done under a protective gas shield. Welding must be performed by a person qualified to work on such equipment. Regulations may vary from state to state.
2. The steel of the drawbar has to be weldable, e.g. made of St 37-2 or St 52-3 or any other compatible weldable steel with a carbon content of less than 0.22%.
3. Remove all paint, grease and rust from welding surfaces. Heating up of drawbar eye to 200 - 250 Deg C before beginning to weld is recommended.
4. The drawbar eye must not be welded within a length of \*mm measured from the middle of the drawbar eye access towards the back. This part

should protrude out of the drawbar.

5. The welding should be exercised in one seam at a time only, in order to avoid overheating the surrounding space of the welding seam.
6. Carry the welding onwards to the direction of the drawbar eye access in one procedure.
7. All seams have to be laid in longitudinal direction of the drawbar eyes shaft. Never and by no means crosswise.
8. Each seam of welding should be set one by one diagonally opposite to the last one, so you maintain an even radiation of heat.
9. Cooling down of the welding should take place where the air is still; do not immerse into water or pour water over it.
10. If wanted, you can place slot welds through the lateral surface of the drawbars sectional steel. This is in order attach to the drawbar shaft to the drawbar additionally.
11. The thickness of the welding seams is to be approximately 8mm in full V- shape or half V-shape.
12. The thickness of the sectional connecting bars should be at least 8mm, better from 10mm - 12mm.

Drawbar eyes: \*

- 57268 DIN 65 x 55, 40mm = 210mm
- 57262 DIN 50 x 40, 40mm = 210mm
- 57260 DIN 40 x 40, 40mm = 210mm
- 57272 DIN + ISO 65 x 60, 50mm = 210mm
- 57254 Rockinger for 56, 561 and 702, 50mm = 195mm
- 57006 ring 41 strong, NATO, 76mm = 180mm

### AL03394 50mm 314kN ROAD RATED

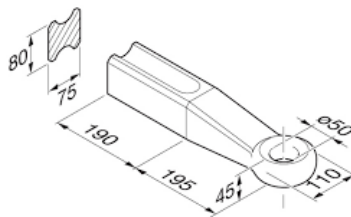
TRAILER AND BODY EQUIPMENT / TOW EYES AGRICULTURAL AND INDUSTRIAL / AL03394 50mm 314kN ROAD RATED



The AL03394 is an on-road rated 50mm weld on towing eye. This unit has a load rating of 314kN and is suitable for larger road trailers.

Note: This model is supplied with a pressed in replaceable bush in the eye section.

<b>Part number</b>	AL03394
<b>Model</b>	ROE57005
<b>D value</b>	314 (kN)
<b>DIN</b>	74053
<b>Eye Size Id X OD x Thickness</b>	50mm x 110mm x 45mm
<b>Weld in body section</b>	80H x 75W x 190L
<b>Centre of eye to weld in section</b>	195
<b>Overall length</b>	440mm
<b>Weight</b>	13.4 (kg)
<b>Down Load</b>	1000 kg
<b>CRN</b>	49663
<b>Material</b>	Heat-treated steel St 52-3



### AL03064 75mm 3500 kg ROAD RATED

TRAILER AND BODY EQUIPMENT / TOW EYES AGRICULTURAL AND INDUSTRIAL / AL03064 75mm 3500 kg ROAD RATED

P/No AL03064.

A high strength ductile 75mm ring coupling, ADR rated to 3500 Kg for on-road and 6000 Kg for off-road (agricultural) applications.

Ring section = 40mm

Can be used with optional hand brake plate and lever P/No AL03256 if parking brake is required for electric brake applications.

Mounting hole pattern = 52 x 182 mm same as standard override trailer couplings.

Hole Diameter = 16.8mm



### AL03218 76mm SWIVEL 12500 kg ROAD RATED

TRAILER AND BODY EQUIPMENT / TOW EYES AGRICULTURAL AND INDUSTRIAL / AL03218 76mm SWIVEL 12500 kg ROAD RATED



Quality Road rated bolt on swivel coupling.

<b>Part Number</b>	AL03218
<b>Model</b>	Co2TE120 - RB
<b>Capacity</b>	12500Kg
<b>D Value</b>	120kN
<b>V Value</b>	1000kg
<b>Eye</b>	76mm I.D x 41mm
<b>Mount</b>	188mm x 80mm
<b>Suits Bolts</b>	5/8" UNF
<b>Material</b>	4140 Forged



### CATCHES AND LATCHES

TRAILER AND BODY EQUIPMENT / CATCHES AND LATCHES



Aline Trading P/L presents a range of quality made catches and closures designed for use in the agricultural and other markets.

## OVER CENTRE CLOSURE LOCKABLE

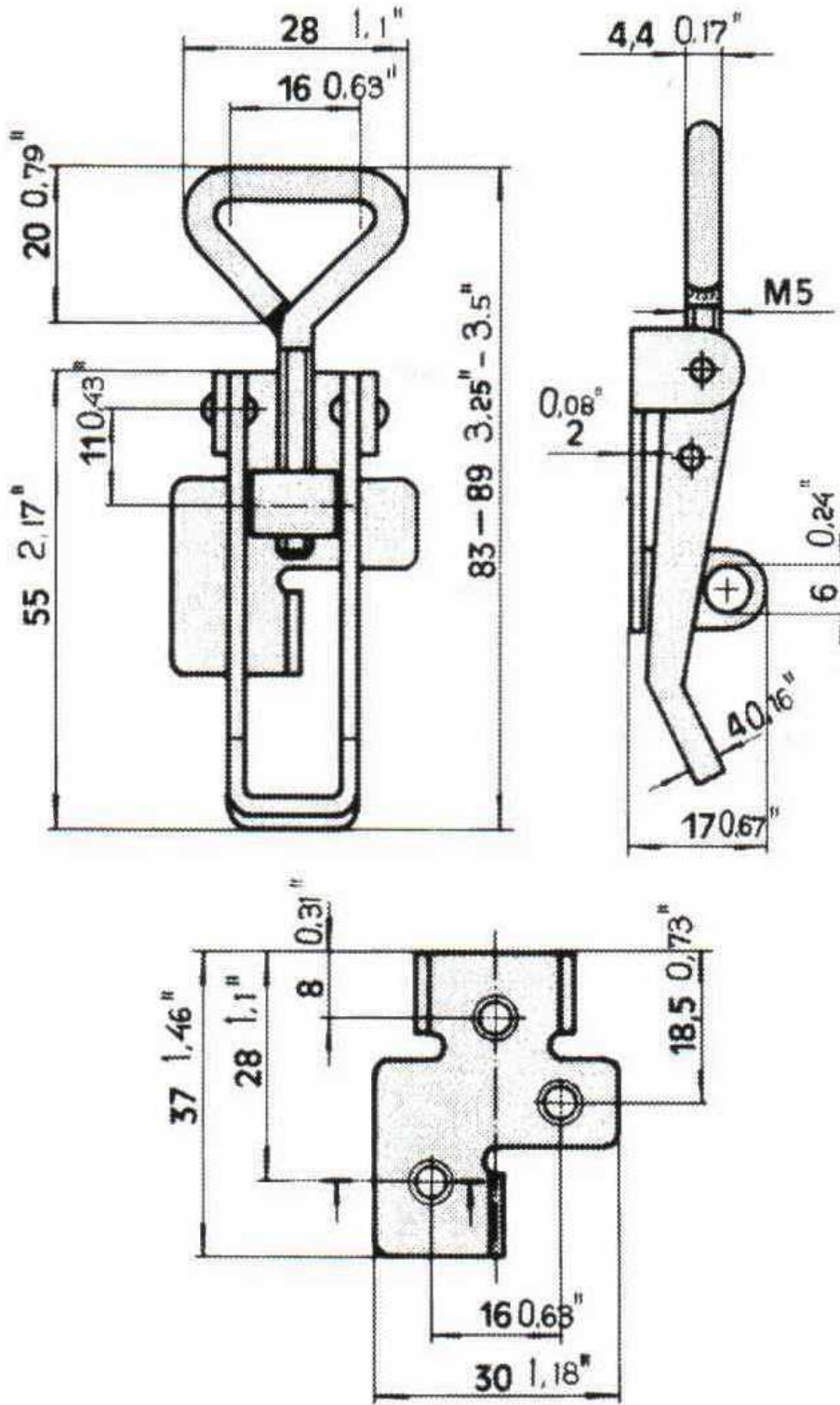
TRAILER AND BODY EQUIPMENT / CATCHES AND LATCHES / OVER CENTRE CLOSURE LOCKABLE



Aline Trading Pty Ltd presents a range of lockable over centre closures available in 3 sizes (small, medium & large) and 2 materials. Zinc plated steel with red grip. A very popular multipurpose closure for tool boxes, safety covers, trailers, farm equipment, leisure equipment and much more. Grade 304 Stainless steel without grip. Suited to food industries or where higher corrosion resistance is required. Example; wineries, food processing equipment, marine applications, commercial fishing equipment, mining etc.



SMALL	
AL00791	Zinc plated steel
AL02658	304 Stainless steel



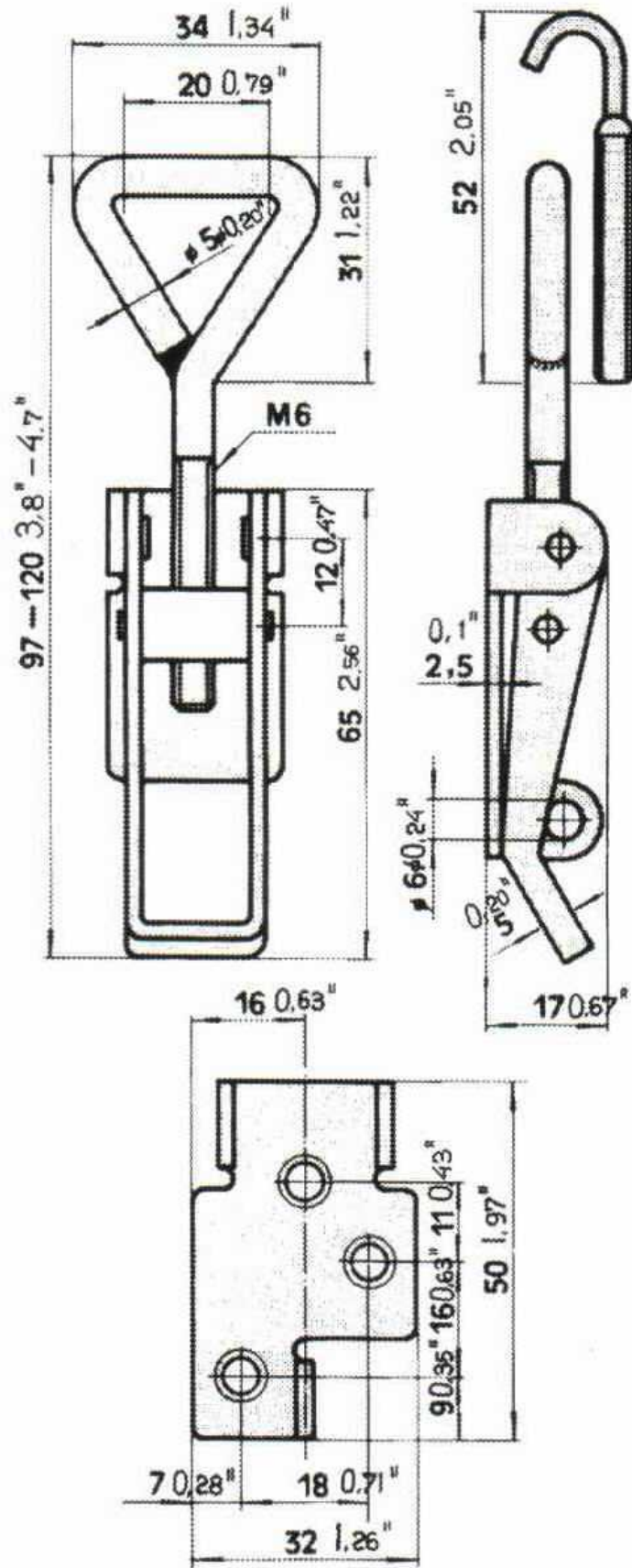
MEDIUM

AL00792

Zinc plated steel

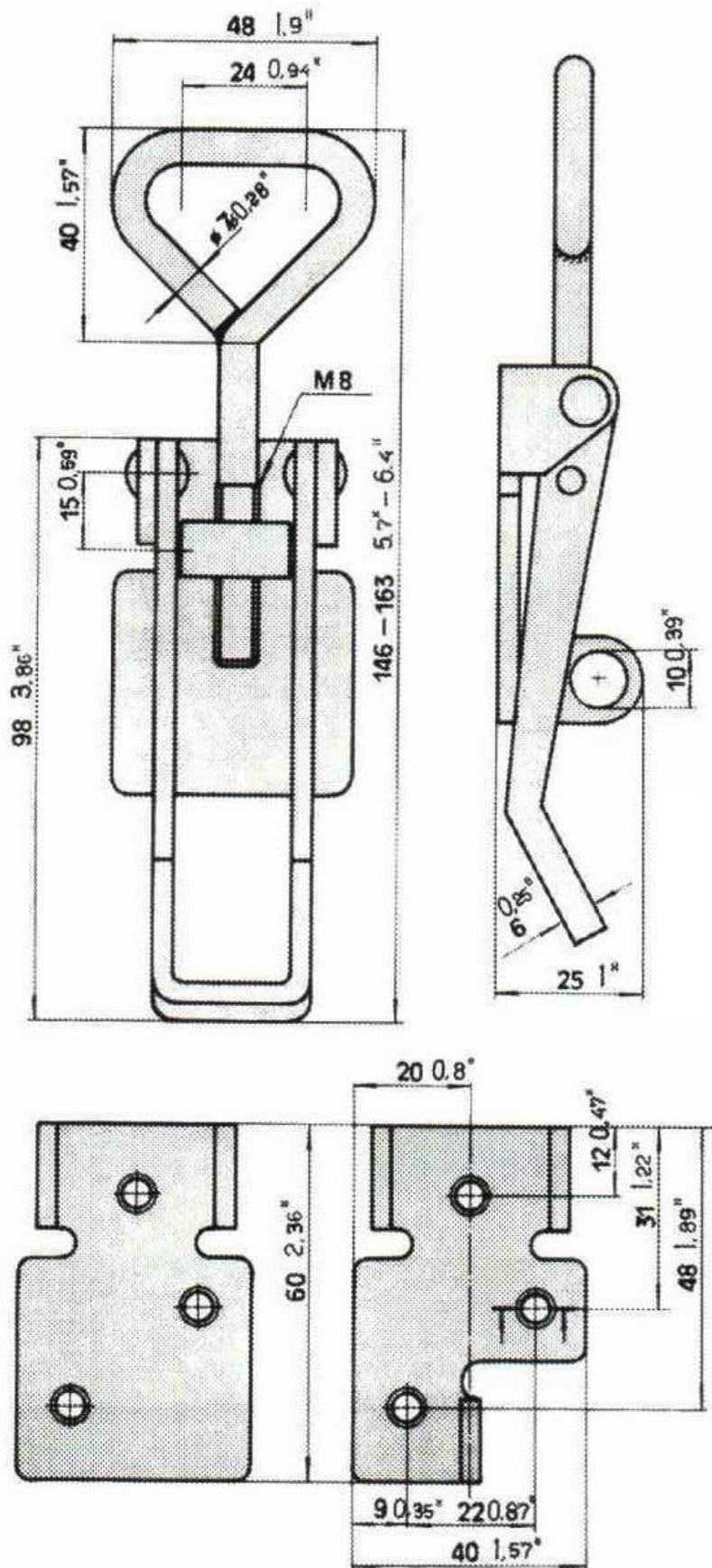
AL02659

304 Stainless steel



LARGE	
AL00794	Zinc plated steel
AL00795	304 Stainless steel



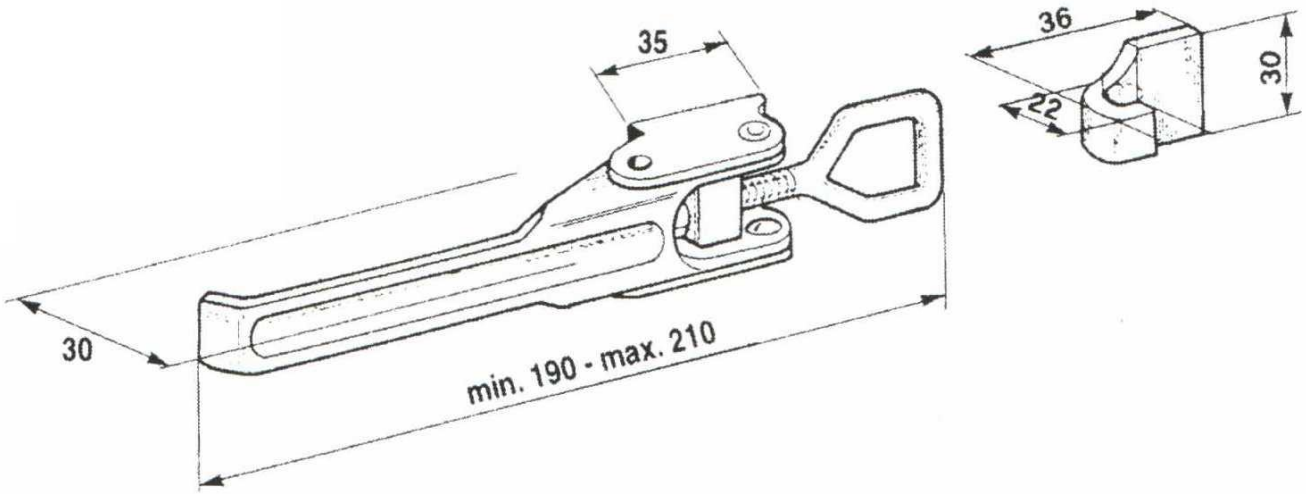


The AL00796 and AL00798 (with spring tensioner) are variations of the same adjustable closure and are supplied with a hook. These models are very popular for use on drop side trays for Utes and trailers as well as in other applications where a reliable closure is required.



Part No	Description
AL00796	Closure with Hook.
AL00798	Closure with spring & hook.
AL00797	Spare hook

AL00796



AL00798 with spring



**AL02674 ADJUSTABLE CLOSURE**

TRAILER AND BODY EQUIPMENT / CATCHES AND LATCHES / AL02674 ADJUSTABLE CLOSURE



The AL02674 heavy adjustable closure is similar to our standard adjustable closures AL00796 & AL00798 but is supplied with a

larger more robust hook and eye unit. The spring is also larger for increased tension.

<b>Part No</b>	AL02674
<b>Finish</b>	Zinc Plated
<b>Weight</b>	0.5 kg
<b>Spare hook.</b>	AL02676



## AL00821 ADJUSTABLE CLOSURE

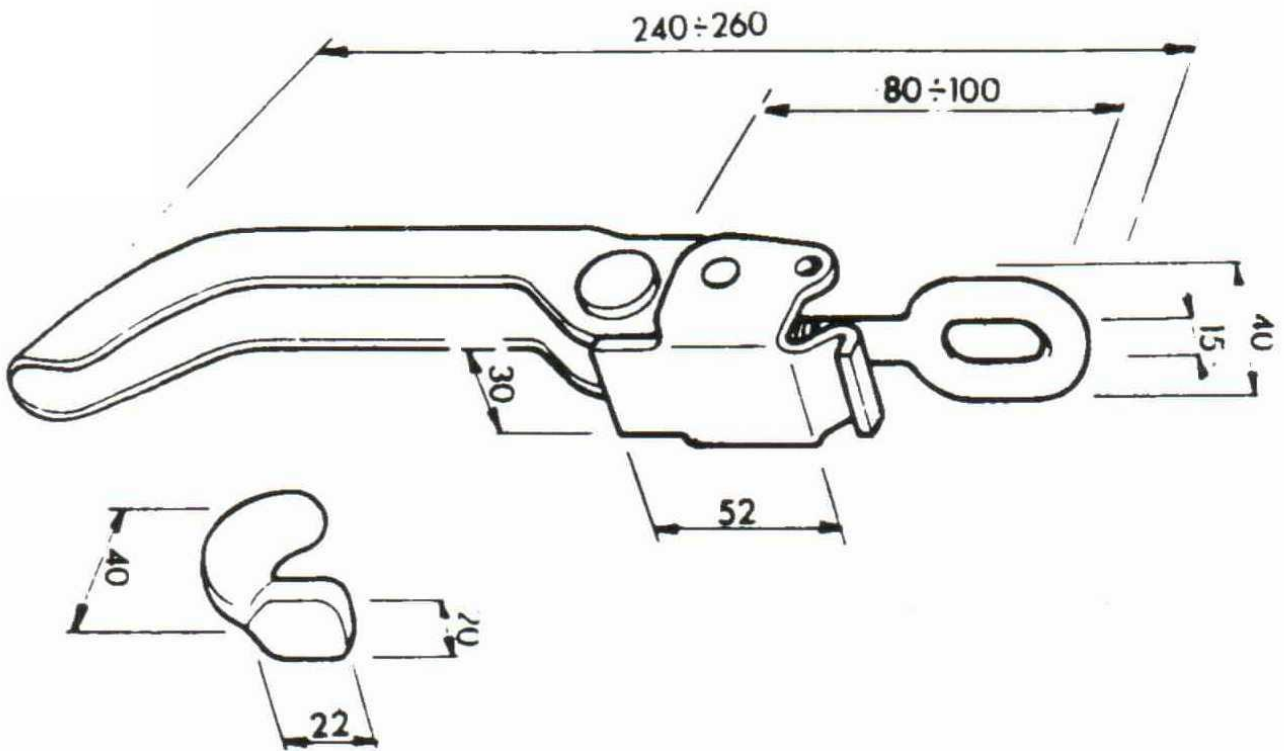
TRAILER AND BODY EQUIPMENT / CATCHES AND LATCHES / AL00821 ADJUSTABLE CLOSURE



The AL00821 is a heavy duty closure with a strong handle and hook that is used in many industries including, farming, industrial, automotive and mining.

<b>Part No</b>	AL00821
<b>Finish</b>	Zinc Plated
<b>Weight</b>	0.6 kg
<b>SPARE HOOK</b>	AL02642





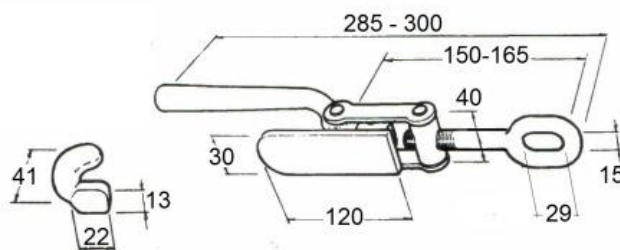
**AL00844 ADJTABLE CLOSURE**

TRAILER AND BODY EQUIPMENT / CATCHES AND LATCHES / AL00844 ADJTABLE CLOSURE



The AL00844 is a European designed and made, heavy duty closure with a strong forged steel handle and hook that is suited to many industries including, farming, industrial, automotive and mining.

<b>Part No</b>	AL00844
<b>Finish</b>	Zinc Plated
<b>Weight</b>	0.75 Kg



## AL00799 HORSE FLOAT TAILGATE LATCH

TRAILER AND BODY EQUIPMENT / CATCHES AND LATCHES / AL00799 HORSE FLOAT TAILGATE LATCH

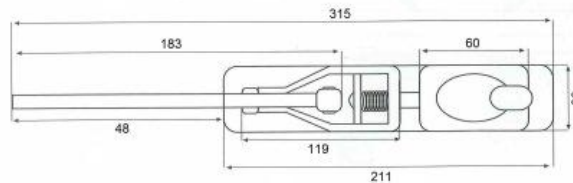


This unique and robust closure is designed especially for use on applications that require increased clamping force and tension. Applications like horse float tailgates. These tailgates must withstand the flex movement during travel and also the impact force caused when the horse strikes the tailgate when closed.

Our closures are supplied with a single piece backing plate that holds the closure body and hook. This hook is separated by cutting the backing plate at the location that most suits your trailers design.

PART No AL00799

<b>Part Number</b>	AL00799
<b>Model</b>	Horse float catch
<b>Finish</b>	Zinc plated
<b>Unit weight.</b>	.962 kg



## TAILGATE LATCH SPRING LOADED 4 SIZES

TRAILER AND BODY EQUIPMENT / CATCHES AND LATCHES / TAILGATE LATCH SPRING LOADED 4 SIZES



The spring loaded tailgate catch is a very popular and functional unit. Its solid construction and zinc plated finish make them very durable and suited to a wide range of applications.

We have 4 sizes available in our range.

## 12.7mm DIAM BOLT

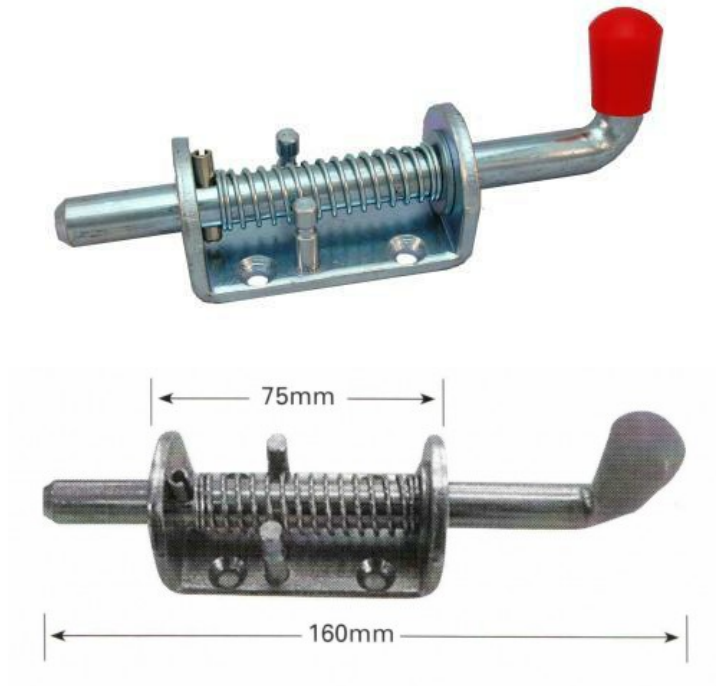
TRAILER AND BODY EQUIPMENT / CATCHES AND LATCHES / TAILGATE LATCH SPRING LOADED 4 SIZES / 12.7mm DIAM BOLT



The spring loaded tailgate catch is a very popular and functional unit. Its solid construction and zinc plated finish make them very durable.

The latch can be locked in the open position when required.

<b>Part Number</b>	AL03032
<b>Unit weight</b>	.37 Kg
<b>o/a length</b>	160mm
<b>Body length</b>	75mm
<b>Pin Diameter</b>	12.7mm



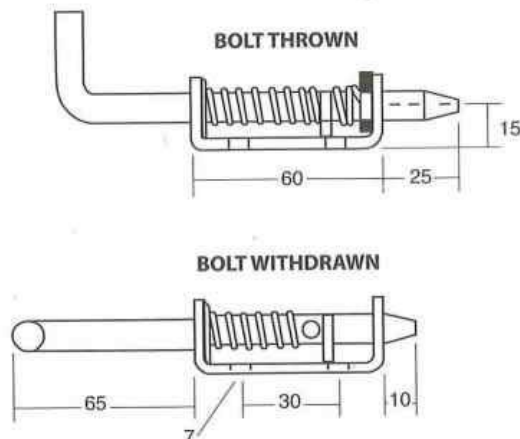
### 10mm DIAM BOLT

TRAILER AND BODY EQUIPMENT / CATCHES AND LATCHES / TAILGATE LATCH SPRING LOADED 4 SIZES / 10mm DIAM BOLT



Medium size latch for lighter duty applications.  
Zinc plated.

Part Number	AL03348
o/a length	135mm
Body length	60mm
Pin Diameter	10mm



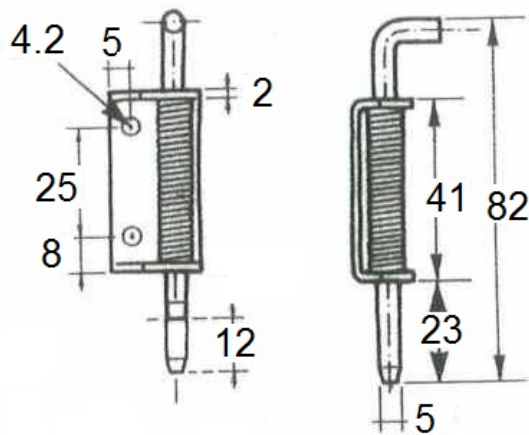
## 5mm DIAM BOLT

TRAILER AND BODY EQUIPMENT / CATCHES AND LATCHES / TAILGATE LATCH SPRING LOADED 4 SIZES / 5mm DIAM BOLT



Small sized latch ideal for light duty applications like covers, small doors etc.  
Can also be used as a hinge on cabinet doors that may need to be easily removed.  
Zinc Plated.

Part Number	AL03346 = R/Hand AL03347 = L/Hand
o/a length	82mm
Body length	42mm
Pin Diameter	5mm

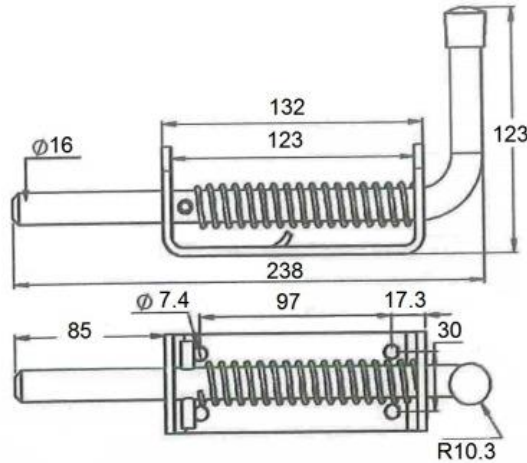


## 16mm DIAM BOLT

TRAILER AND BODY EQUIPMENT / CATCHES AND LATCHES / TAILGATE LATCH SPRING LOADED 4 SIZES / 16mm DIAM BOLT



Part Number	AL03439
Unit weight	0.9 Kg
o/a length	238mm
Body length	132mm
Pin Diameter	16mm



## DROP LOCKS

TRAILER AND BODY EQUIPMENT / CATCHES AND LATCHES / DROP LOCKS



The drop lock is a very popular choice for applications like Ute trays, trailers, safety covers and more. Their simple and compact design allows for a positive closure at an economical price.

Aline Trading P/L present 7 variations of the drop lock. One weld on and six bolt on units.

The bolt on units are supplied with a spring washer and Nyloc nut.

Part number	Thread / shank length	Body Diameter
AL00784	Weld on	19mm
AL00811	M8 X 20 mm	12mm
AL00818	M8 x 20 mm Stainless	12mm
AL00785	M12 X 35mm	19mm
AL00793	M12 X 50mm	19mm
AL01877	M12 X 75mm	19mm





## COMPRESSION LOCKS

TRAILER AND BODY EQUIPMENT / CATCHES AND LATCHES / COMPRESSION LOCKS

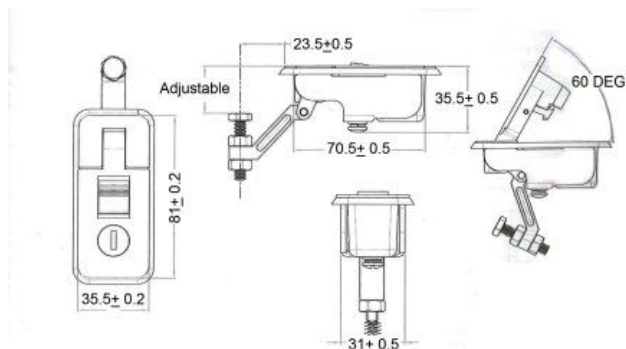


Flush fit push button compression locks are very popular for use on enclosed trailers, cupboards, truck storage boxes, Ute's and many other applications. They are lockable and available in either chrome or matt black finish to give your project that professional finish.

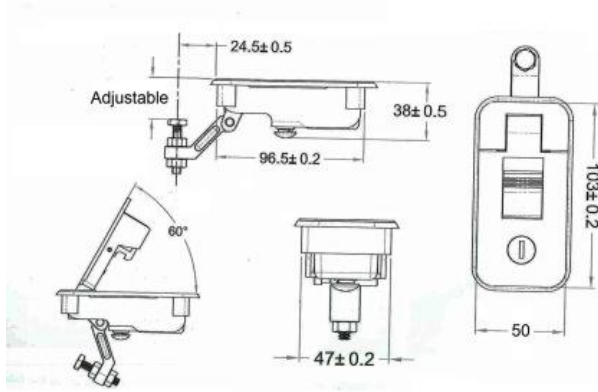
Part No	Description
AL00800	Large - Black
AL00802	Small - Black
AL00801	Large - Chrome
AL00803	Small - Chrome
AL00787	Large - Black - Round end



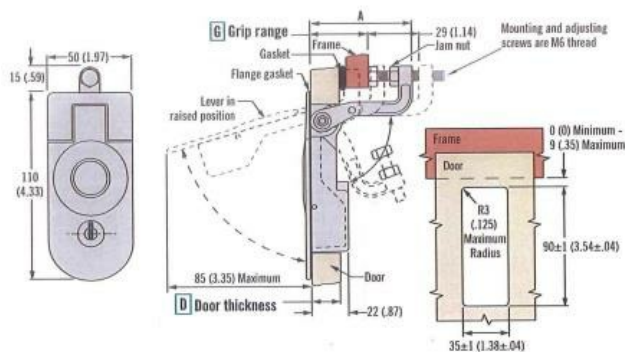
Small Compression lock dimensions.



Large compression lock dimensions.



AL00787 - Large compression lock. Round end.



**COMPRESSION LATCH LIFT AND TURN**

TRAILER AND BODY EQUIPMENT / CATCHES AND LATCHES / COMPRESSION LATCH LIFT AND TURN



Aline Trading P/L stock this quality American made Lift & Turn Compression Latch for situations that require a stronger more robust closure.

Lift & Turn Compression Latches feature:

Low profile when latched.

Easy grip adjustment.

Intuitive operation

Zinc alloy powder coated black & Zinc plated steel.

Max static load: 440 N

Environmental sealing is achieved by using the 0.4mm gasket supplied and by sealing the mounting screw threads when installing.

2 keys.

Steel shaft and cam for greater strength. Not die cast alloy!

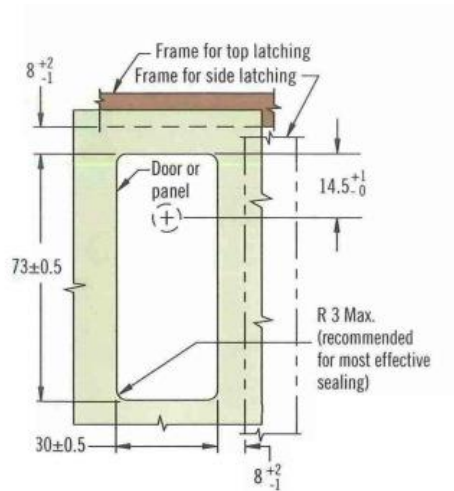
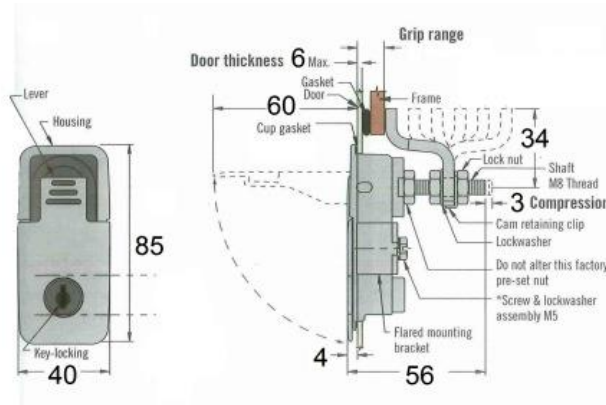
Grip range = 16-26 mm when cam forward.

46-56 mm when cam reversed.

Note: The M5 x 16 mounting screw and lock washer supplied is designed for a max door skin thickness of 6 mm. For thicker materials allow for the door skin thickness +10 mm.

Add 0.4mm to door thickness for the cup gasket.

Part No	Description
AL00810	Compression latch Lift & Turn - Black.





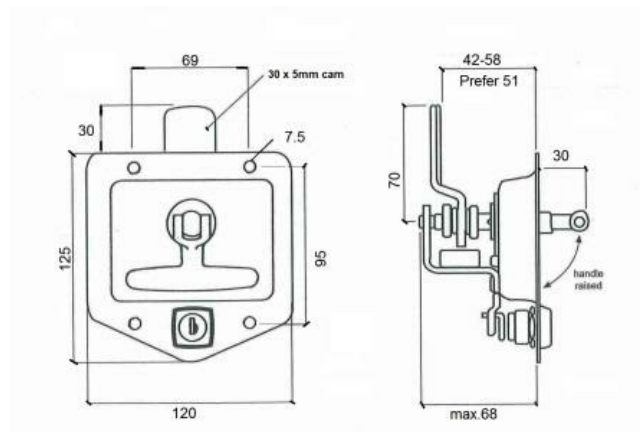
Our Drop T locks are made from grade 304 Stainless Steel with a polished finish and supplied with 2 keys and a sealing gasket. Our 3 stocked designs include:

1. Standard lock with offset keeper.
2. Lock with flat keeper.
3. Lock with Flat Keeper, rods and guides to suit 3 way locking.

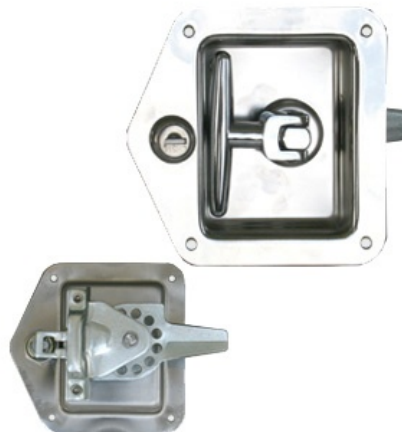
Details below.

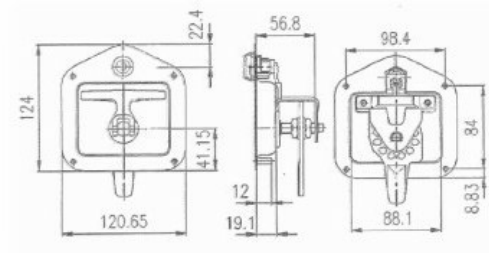
Part No	Description
AL00805	Standard offset keeper.
AL03366	Flat keeper.
AL00852	3 way locking. With flat keeper, 2 x 1.2m rods and 2 x guides.
AI00853	Spare 1.2m rod for AL00852

AL00805 - With standard offset keeper.



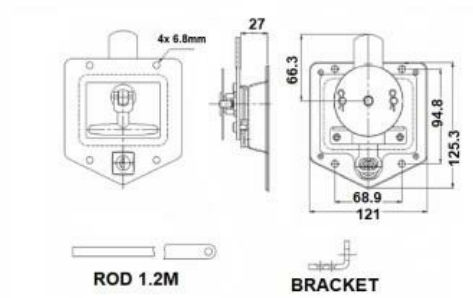
AL03366 - With flat Keeper





AL00852 - Three way locking system.

Complete with: Flat tongue lock, 2 x 1.2m locking rods & 2 x guides.



## WHALE TAIL DROP LOCKS.

TRAILER AND BODY EQUIPMENT / CATCHES AND LATCHES / WHALE TAIL DROP LOCKS.



Aline Trading P/L present a range of Whale Tail Drop Lock™s to suit many applications like Ute canopies and tool boxes.

These are a new improved design offering a more robust mechanism with anti-vibration springs and a roller tongue. The electronic actuator has also had a design upgrade including a metal cover to protect it during use.

All locks are supplied as a manual lock. The electronic 12V actuator is then added as needed to give the added feature of central locking, making conversions at a later date a simple upgrade.

Part No	Description
AL00832	Chrome
AL00843	Black with chrome handle.
AL00839	Black
AL00833	Electronic actuator with cover.

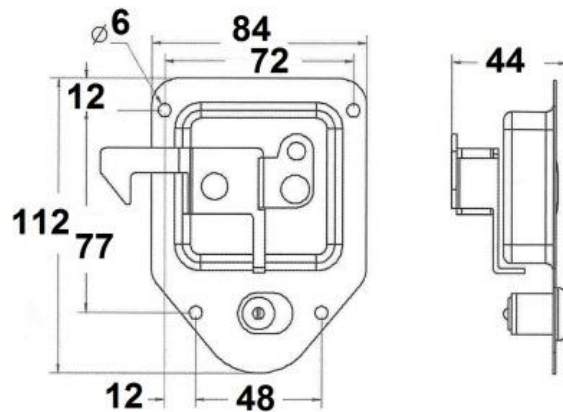


## AL00819 - FLUSH PADDLE LATCH



A compact lockable flush mount paddle latch.

<b>Part No</b>	AL00819
<b>Material</b>	Stainless Steel
<b>Finish</b>	Polished
<b>Weight</b>	220g

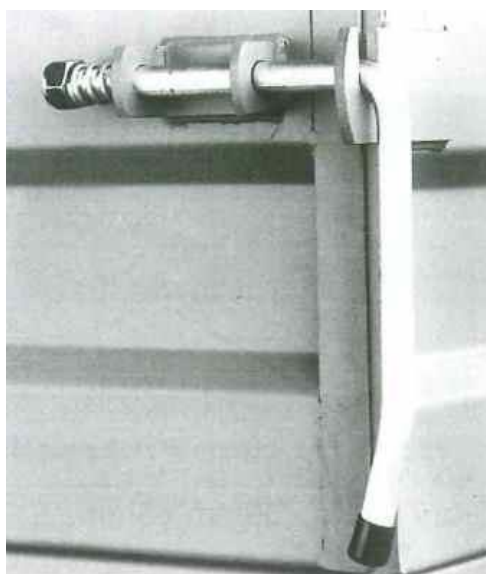
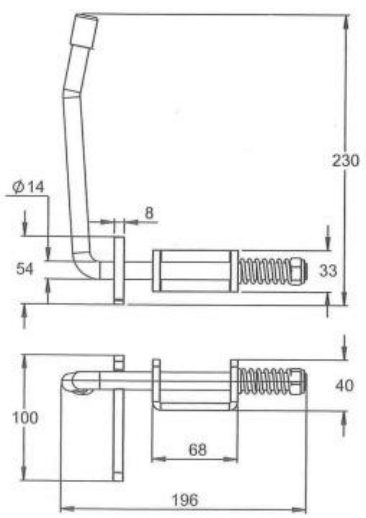


**HEAVY DUTY CORNER FASTNER**



Aline Trading Pty Ltd â€™ Heavy Duty Side Board Fastener.  
 A heavy duty Zinc plated fastener designed for use on Ute/ small truck trays and farm trailers.

Part No	Description
AL00820	H/Duty corner fastener.



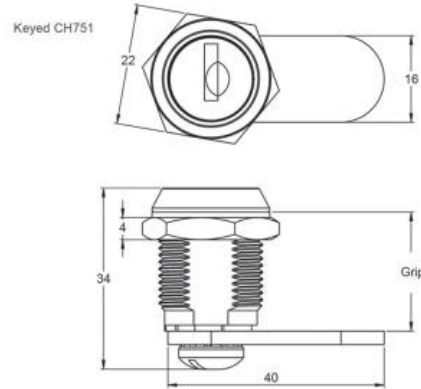
COMPARTMENT LOCKS.

TRAILER AND BODY EQUIPMENT / CATCHES AND LATCHES / COMPARTMENT LOCKS.

Aline Trading P/L stock the Compartment Locks as listed below. Other sizes and styles are available to order. Each lock is supplied with 2 x cam plates. 1 x bent, 1 x straight to help with adjustment.



Part No	Grip Range	Rotation	Finish
AL00841	6-26mm	Clockwise	Chrome
AL00842	12-32mm	Clockwise	Chrome



## TAILGATE SWIVEL LATCH

TRAILER AND BODY EQUIPMENT / CATCHES AND LATCHES / TAILGATE SWIVEL LATCH



Weld on swivel tailgate latch. Suitable for trailers and other applications.

AL00042	left hand
AL00043	right hand



## HINGES



Aline Trading Pty Ltd presents a range of versatile and reliable hinges suitable for a wide range of manufacturing applications.

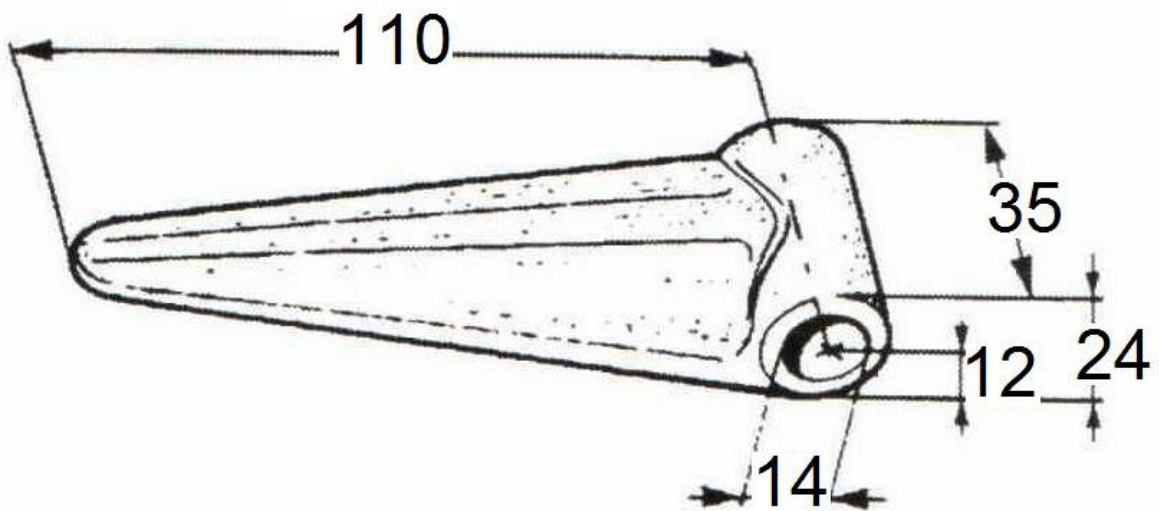


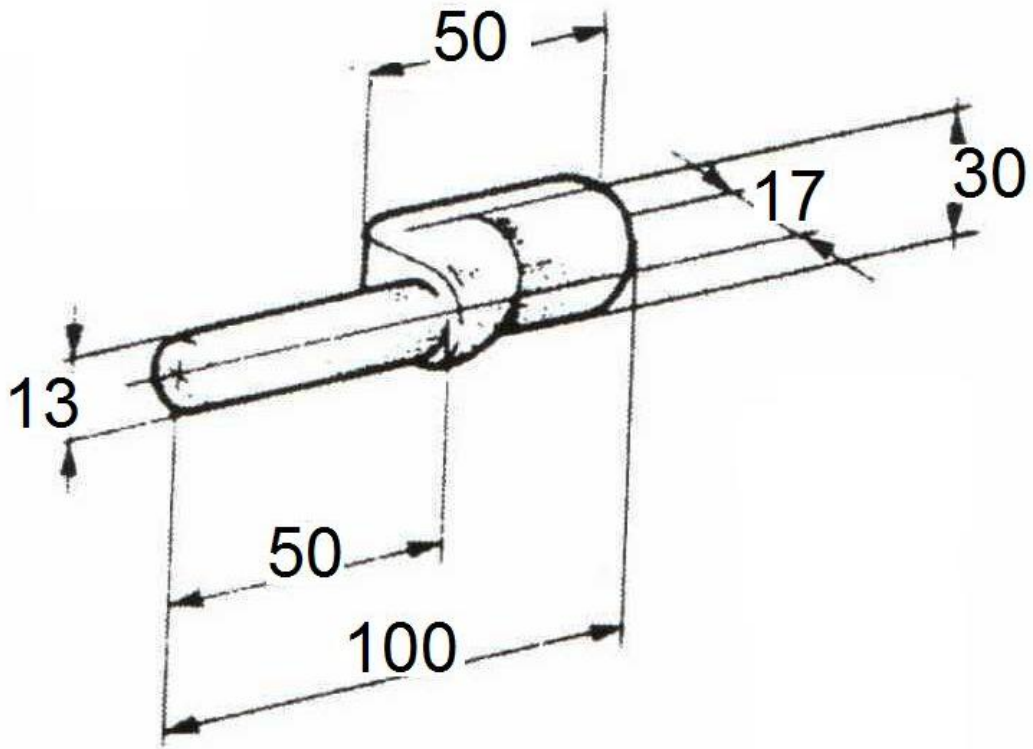
### TAILBOARD HINGE AND PIN

TRAILER AND BODY EQUIPMENT / HINGES / TAILBOARD HINGE AND PIN



The AL00835 is a simple yet practical weld on hinge and pin unit designed for use on trailer and Ute drop sides, and other applications that require sides, doors or cover panels to be removed with ease.  
Sold as a body & pin set.





### TAILBOARD HINGE AND PIN. FLAT SHORT.

TRAILER AND BODY EQUIPMENT / HINGES / TAILBOARD HINGE AND PIN. FLAT SHORT.



Aline Trading P/L presents a short series weld on drop side hinge with bush for Ute sides and trailers.

Material - Gudgeon pin = Forged Steel.

- Bush = Nylon

- Hinge strap = Steel. 40mm wide x 90mm long.

Part No	Description
AL00822	Complete 3 piece hinge.
AL00834	Spare bush



### TAIL BOARD HINGE AND PIN.FLAT . LONG.

TRAILER AND BODY EQUIPMENT / HINGES / TAIL BOARD HINGE AND PIN.FLAT. LONG.



Aline Trading P/L presents a long series weld on drop side hinge with bush for Ute sides and trailers.

Material - Gudgeon pin = Pressed & welded steel.

- Bush = Nylon

- Hinge strap = Steel. 40mm x 6mm x 250mm long.

Part No	Description
AL00829	Complete 3 piece hinge.



### HEAVY DUTY HINGE WITH GREASABLE PIN

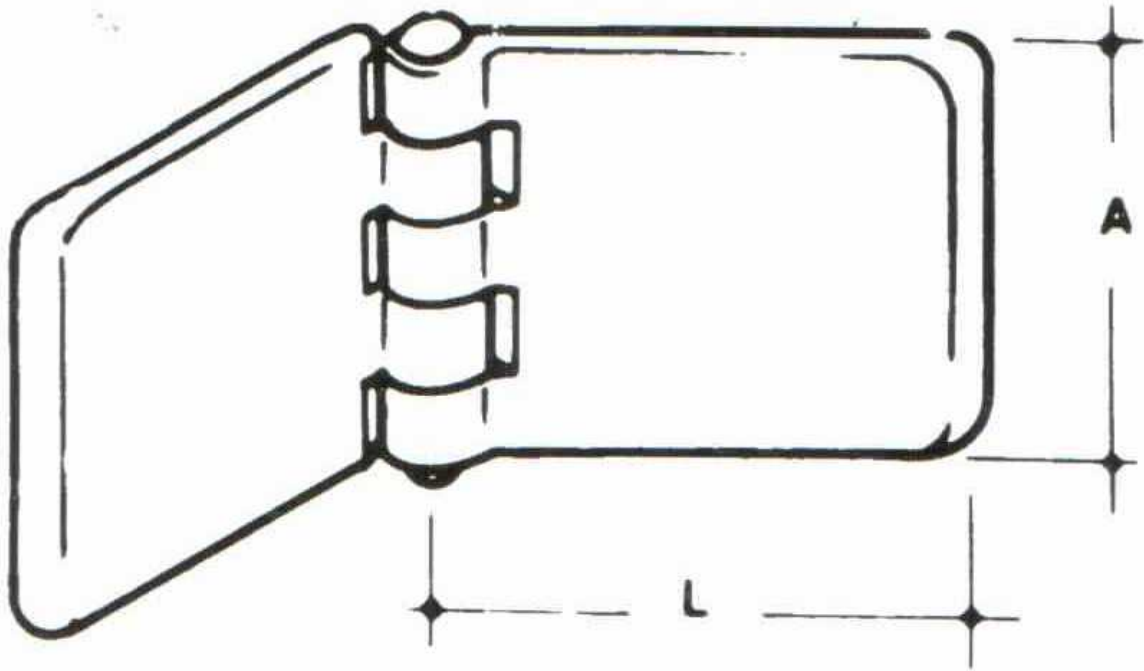
TRAILER AND BODY EQUIPMENT / HINGES / HEAVY DUTY HINGE WITH GREASABLE PIN



The AL00783 is a heavy duty weld on hinge with greasable pin. Its solid construction makes it ideal for manufacturers that require a strong yet simple hinge.

<b>Part Number</b>	<b>AL00783</b>
<b>A</b>	60 mm
<b>L</b>	80 mm
<b>Material</b>	6.2 mm
<b>Pin diameter</b>	7 mm





## EUROPEAN 3 PIECE DROPSIDE HINGE

TRAILER AND BODY EQUIPMENT / HINGES / EUROPEAN 3 PIECE DROPSIDE HINGE



The AL00816 is a European designed weld on 3 piece hinge designed for use on the drop sides of farm trailers.

A common hinge pin / rail (Not supplied by Aline) connect the hinges. The flat centre section of the hinge is welded to this rail and when the rail is rotated it opens the hinge allowing the drop side to be removed.

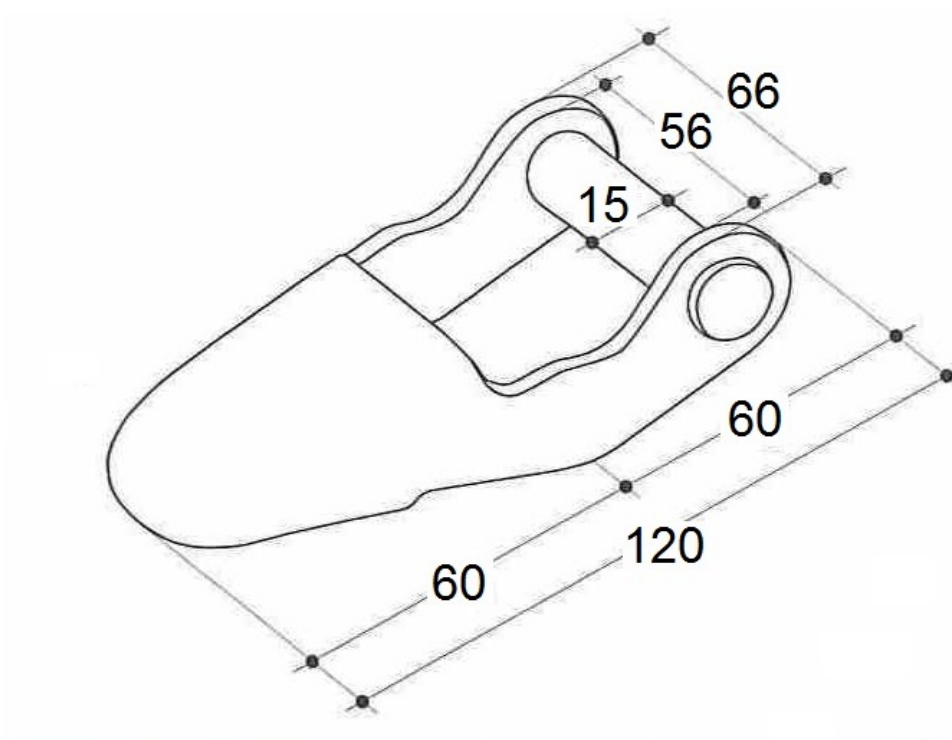


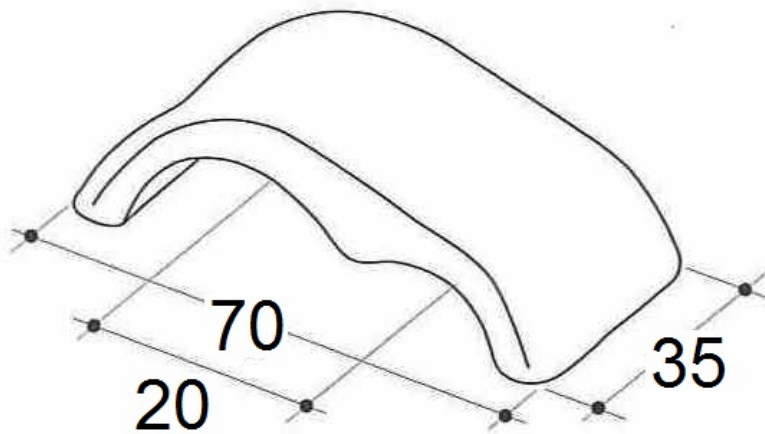
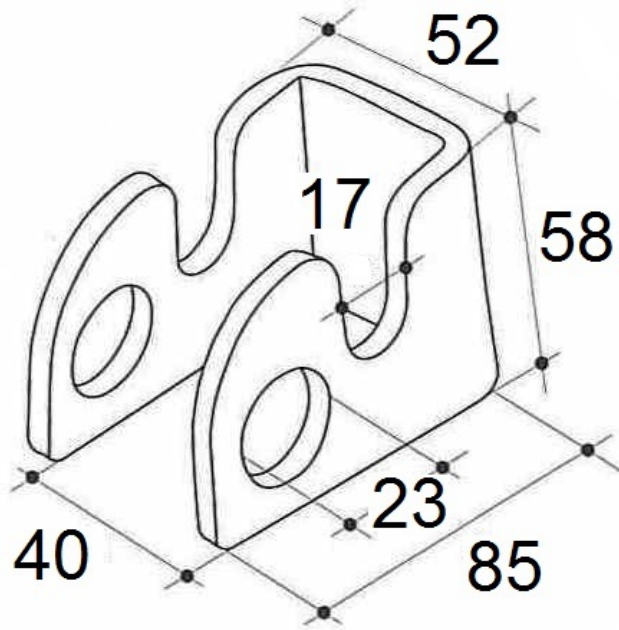
The photo below shows a 3 piece hinge in use on a drop side trailer. The upper section is galvanised with the drop side.

You can see how a common rail is used to lock the keepers in place. This rail can be used to connect several hinges. When the rail is rotated it opens the hinges allowing for the drop sides to be removed.



The three pieces of the hinge are detailed below.





## PINTLE HINGE - WELD ON

TRAILER AND BODY EQUIPMENT / HINGES / PINTLE HINGE - WELD ON



Weld- On Pintle hinges.

Suitable for many applications including tool boxes, trailers and truck boxes.

The below items are stocked items. Other sizes and materials are available to order.

Part No	Length	Material	Body mm	Pin mm
AL00808	60mm	Steel - brass pin	10x12	6
AL00786	80mm	Steel - brass pin Grease Nipple	13x15.5	8
AL00809	80mm	Steel - brass pin	13x15.5	8
AL00815	80mm	Aluminium - S/S pin	13x15.5	8
AL00824	80mm	Aluminium - S/S pin Grease Nipple	13x15.5	8
AL00807	100mm	Steel - brass pin Grease nipple	16x20	10
AL00812	100mm	Steel - brass pin	16x20	10
AL00825	100mm	Aluminium - S/S pin	16x20	10
AL00826	100mm	Aluminium - S/S pin Grease nipple.	16x20	10
AL03365	150mm	Aluminium - S/S pin	20x25	13
AL03386	150mm	STEEL - BRASS PIN	20x25	13
AL03436	150mm	STEEL - BRASS PIN GREASE NIPPLE	20X25	13
AL03432	200mm	STEEL - BRASS PIN Grease Nipple	23x28.5	16



**PINTLE HINGE - BOLT ON**

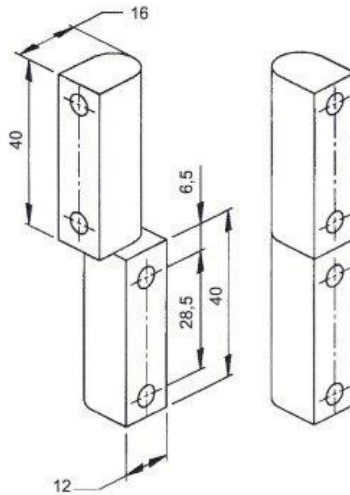
TRAILER AND BODY EQUIPMENT / HINGES / PINTLE HINGE - BOLT ON



Standard 80mm bolt on pintle block hinge, or lift-off hinge is a chrome plated, solid brass hinge with a stainless steel pin. All block hinges are supplied with fixing screws.

<b>Part No</b>	AL00823
<b>Body</b>	Solid Brass - Chrome Plated.
<b>Pin</b>	Dia 6 mm Stainless Steel.
<b>Screws</b>	M6 x 8 - 4 per hinge.





## CENTRAFLEX CONTINUOUS HINGE

TRAILER AND BODY EQUIPMENT / HINGES / CENTRAFLEX CONTINUOUS HINGE



AL03349

CENTRAFLEX Continuous hinge and seal.

Perfect for hinging and sealing doors on trailers and larger tool boxes.

Centraflex is a stylish, one piece, and continuous hinge developed by taking full advantage of the latest advances in new materials and manufacturing technology.

The membrane of the Centraflex Hinge is a flexible resin comprising of a patented blend of polyester elastomers combining the high strength of engineering resins with excellent flexibility. The result is that Centraflex Hinge has an excellent flex-life at temperatures ranging from minus 40 deg C to 50 deg C.

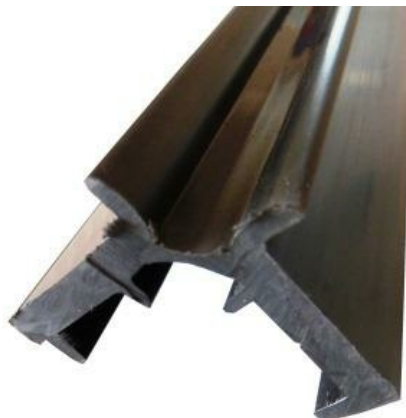
During the manufacturing process; co-extruded rigid P.V.C profiles are fused together with the molten, Centraflex Hinge membrane creating an extremely strong and resilient hinge. **For example a 1 metre length fitted horizontally has a S.W.L of 100 kg.**

Centraflex is a well-designed hinge offering many advantages over conventional continuous hinges currently available in the market.

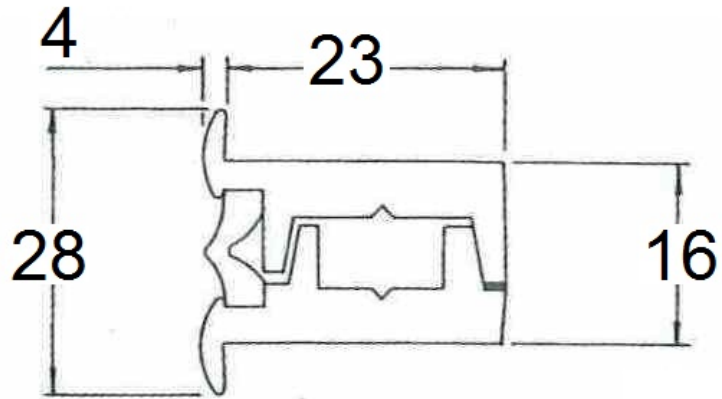
Features:

- Durable. Tested to over 50,000 operating cycles.
- Secure interlocking profile when closed.
- Maintenance free.
- Aesthetically pleasing, low exterior profile.
- Concealed fixings.
- Easy to fix.
- Weatherproof continuous seal.
- Corrosion resistant.
- U.V light stabilised.
- Excellent flex life.
- Competitively priced.

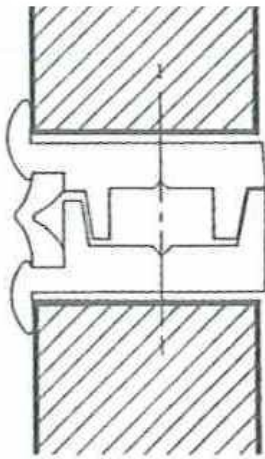
<b>Part No</b>	AL03349
<b>Hinge length</b>	3000 mm
<b>Capacity</b>	100 Kg / m



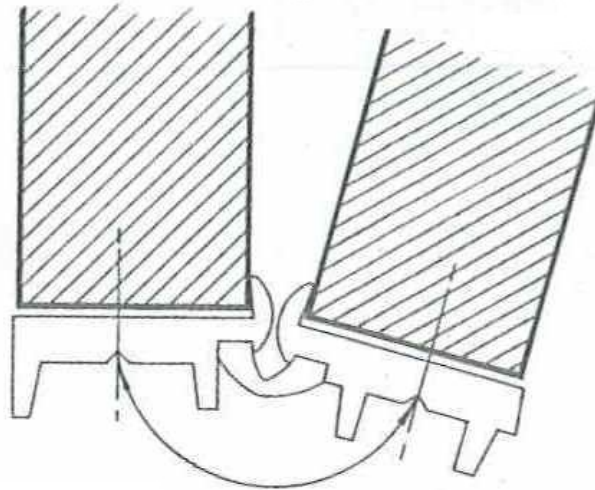




Closed



160 deg opening



PIANO HINGE

TRAILER AND BODY EQUIPMENT / HINGES / PIANO HINGE



A robust piano hinge suitable for many applications.  
Other sizes and material types available to order.

Part No	Width	Length	Thickness	Finish
AL03193	50mm	1800mm	1.2mm	Galv



## TRAILER TAILGATE HINGE.

TRAILER AND BODY EQUIPMENT / HINGES / TRAILER TAILGATE HINGE.



Aline Trading P/L presents a weld on trailer tailgate hinge suitable for small box style trailers.

Pin diameter = 12mm x 80mm long.

Base to centreline of pin = 22mm

Part No	Description
AL00838	Small trailer tailgate hinge.



## LASHING RINGS

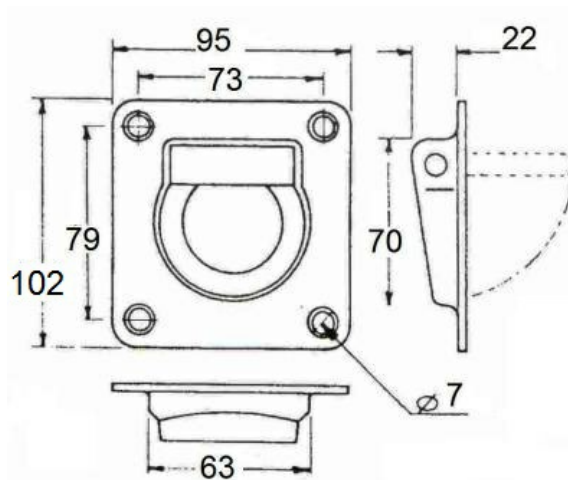
TRAILER AND BODY EQUIPMENT / LASHING RINGS



Aline Trading present the following range of lashing rings suitable for many applications including Ute backs, trailers and farm equipment.

Part No	S.W.L - kg	Material / Finish	Size mm
AL03152	500	Steel / Zinc Plated.	95 x 102
AL03387	500	Stainless Steel	95 x 102
AL03314	1800	Steel / Zinc Plated	125 x 115
AL02660	2500	Steel / Zinc Plated Folding bolt style.	M16 bolt. 40mm I.D eye
AL02670	200	Steel / Zinc Plated. Plastic surround.	Diam 104mm

AL03152 - AL03387 Dimensions



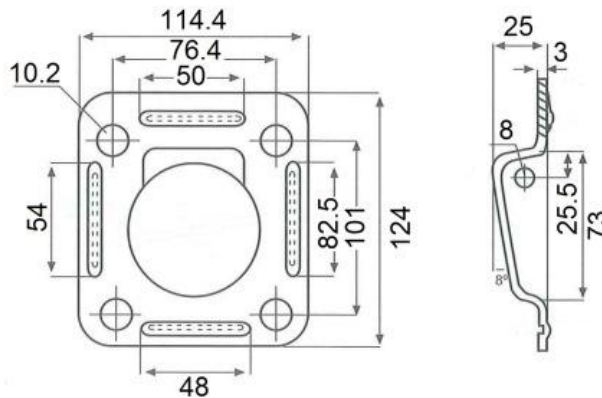
AL03152 - Zinc Plated 500 Kg S.W.L



AL03387 - Stainless Steel. 500 Kg S.W.L.  
With tension spring.



AL03314 - Dimensions

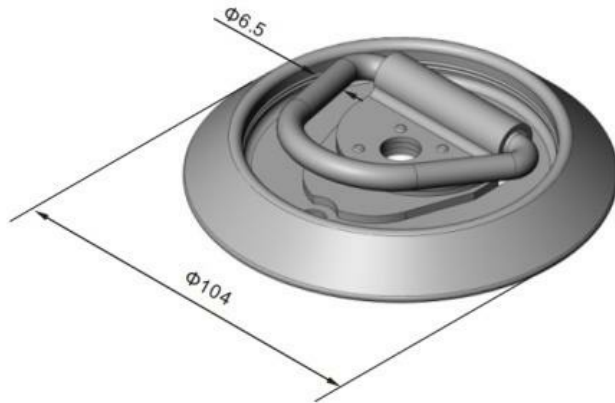


AL03314 - Zinc Plated 1800 Kg S.W.L



AL02660 - Lashing ring eye. Folding bolt type, 2500kg.

AL02670 - SWL200kg



## DRAW SLIDES

TRAILER AND BODY EQUIPMENT / DRAW SLIDES



Aline Trading stock a select range of the quality Dura Slide heavy duty drawer slides. Dura Slide drawer slides are high quality and suitable industrial and domestic applications. Features include locking mechanisms, smooth glide, soft closing, high load capacity & ball bearing construction which are suitable for light to heavy duty needs.

Listed below is our stocked range of locking and Non- Locking slides.

Other lengths and capacities are available on request.

Heavy Duty 225 kg. Locking/Non-Locking. 350mm – 1500mm.

Medium Duty 125 kg. Locking/Non-Locking. 300mm – 1000mm.

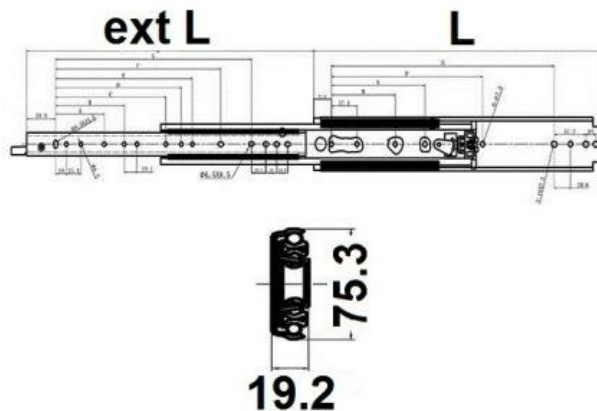
Light Duty 45 kg. Non-Locking. 300mm – 900mm.

Heavy Non-locking			
P/No	Closed Length mm	Open Length mm	KG at Full Extension
AL00845	500	1000	225
AL00846	550	1100	225
AL03499	600	1200	225
AL01995	700	1400	225
AL01997	800	1600	220
AL03501	1200	2400	170
AL03503	1500	3000	140
Heavy Locking			
P/No	Closed Length mm	Open Length mm	KG at Full Extension
AL03536	450	900	225
AL03512	500	1000	225
AL00851	550	1100	225
AL03500	600	1200	225
AL01994	650	1300	225
AL01996	700	1400	225
AL01998	800	1600	220
AL01999	900	1800	205
AL02000	1000	2000	195
AL03502	1200	2400	170
AL03504	1500	3000	140
Medium Non Locking			
Part No	Closed Length mm	Open Length mm	Kg at Full Extension
AL01993	550	1100	110
Medium Locking			
Part No	Closed Length mm	Open Length mm	Kg at Full Extension
AL02001	700	1400	95

Photo shows non-locking.



Drawing shows locking style.



## PINCHWELD WEATHER SEAL

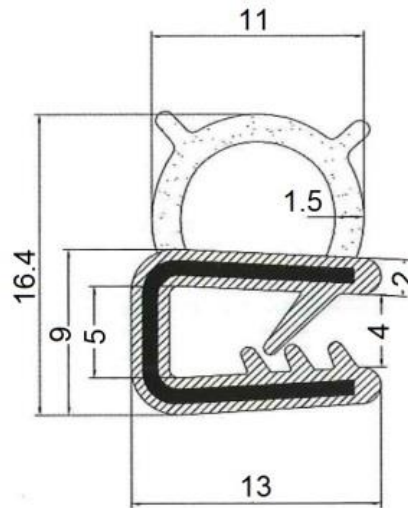
TRAILER AND BODY EQUIPMENT / PINCHWELD WEATHER SEAL



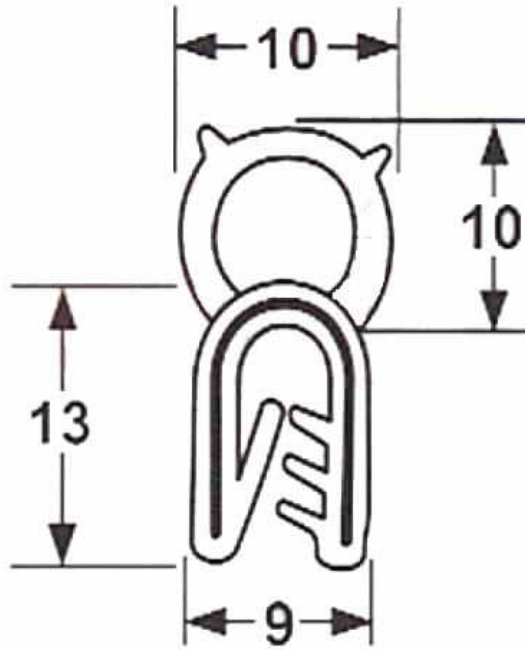
Pinch weld seals provide an easy, clean and weather resistant finish to exposed sharp edges around door openings. Common situations include tool boxes, vehicle bodies, trailers, boats, farm or industrial equipment.

Aline Trading P/L stock the following range.

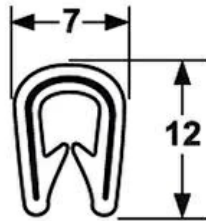
<b>Part No</b>	AL03459
<b>Style</b>	Side Mount - 053
<b>Grip Range</b>	1.0 - 2.0mm
<b>Sold</b>	per/ metre



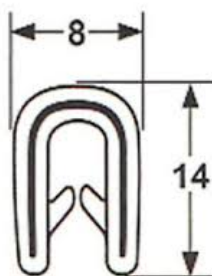
<b>Part No</b>	AL03519
<b>Style</b>	Top Mount - 053
<b>Grip Range</b>	.05 - 1.5mm
<b>Sold</b>	per/ metre



<b>Part No</b>	AL00131
<b>Style</b>	Plain - 035
<b>Grip Range</b>	1.0 - 2.0mm
<b>Sold</b>	per/ metre



<b>Part No</b>	AL00132
<b>Style</b>	Plain - 056
<b>Grip Range</b>	1.5 - 4.0mm
<b>Sold</b>	per/ metre



## LINK BLOCKS & HINGES

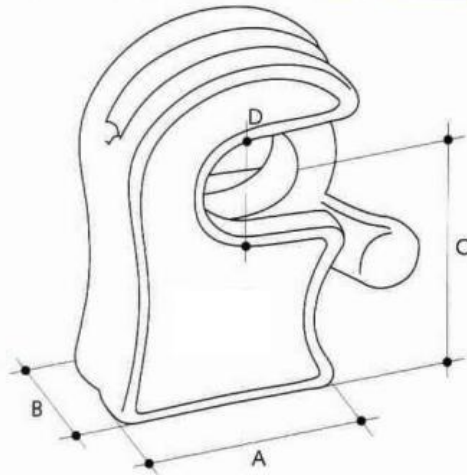
TRAILER AND BODY EQUIPMENT / LINK BLOCKS & HINGES



Aline Trading P/L presents a range of Link block locks, pins & swing hinges. Designed primarily for use on heavy trailer or truck tailgates.

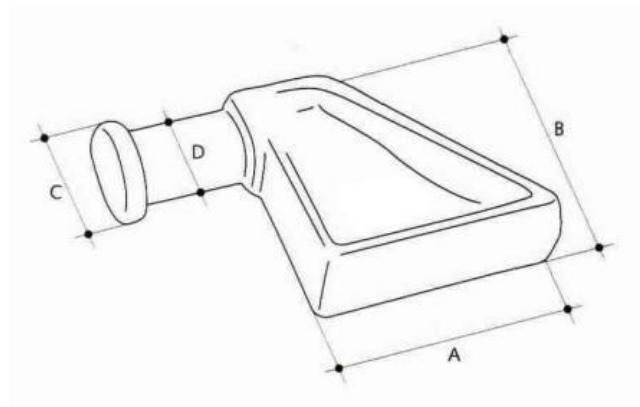
Link block locks and pins. Made in Italy.

LINK BLOCK LOCKS						
Part No	Description	A	B	C	D	MAX LOAD KG
AL02772	20mm lock	67	38	67	21	1400
AL00840	30mm lock	80	40	71	31	1950
AL02773	40mm lock	95	52	95	40	2930



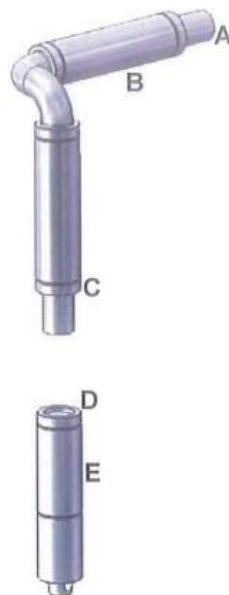
LINK BLOCK PINS						
Part No	Description	A	B	C	D	MAX LOAD KG
AL02770	20mm pin	125	115	32	20	1150
AL00837	30mm pin	130	115	41	30	1700
AL02771	40mm pin	130	125	52	38	2400





Trailer Tailgate swing hinges for side folding tailgates on tipper trailers and trucks.  
Normally used in conjunction with one of the link block locks from above.

Part No	Discription	Bar size	offset
AL00804	Small	27mm	70mm
AL00806	Large	35mm	70mm



## FULL LENGTH AXLE ASSEMBLIES

TRAILER AND BODY EQUIPMENT / FULL LENGTH AXLE ASSEMBLIES



Aline Trading P/L present a range of full length braked and un-braked axle assemblies suitable for on-road and off-road trailers.  
The information below shows the styles available, load capacities and most common fitments. Our axles are made in Australia to order which allows us to vary the lengths and stud patterns to meet your needs.

Notes:

- Australian made axles are assembled using NSK bearings.
- Load capacity rated at 110km/hr. Highway speed.
- Axles supplied fully assembled unless otherwise requested.
- Information about how to measure and order axles can be found at the bottom of this page.
- Rubber torsion axles are listed under springs and suspensions.

Please contact us today with your requirements.

Unbraked Axle Assemblies		
Shaft	Capacity	Fitment
39mm round	750 Kg	Holden, Ford, Mini, Landcruiser.
40mm square	1000 Kg	Holden, Ford, Mini, Landcruiser.
45mm round	1300 Kg	Holden, Ford, Mini, Landcruiser.
45mm square	1400 Kg	Holden, Ford, Mini, Landcruiser.
45mm square	1500 Kg	Landcruiser
50mm Square	1600 Kg	Ford, Landcruiser
50mm square	2000 Kg	Landcruiser 5 or 6 stud
65mm round	3000 Kg	Landcruiser 5 or 6 stud
63mm square	3000 Kg	Landcruiser 5 or 6 stud

**Unbraked (Lazy) Axle.**



Drum Brake Axles.			
Mechanical side lever hubs.			
Shaft	Capacity	Drum	Fitment
40mm square	1000 Kg	9"	Holden, Ford, Mini, Landcruiser.
45mm square	1400 kg	9"	Holden, Ford, Landcruiser.
Hydraulic			
Shaft	capacity	Drum	Fitment
40mm square	1000 Kg	9"	Holden, Ford, Mini, Landcruiser.
45mm square	1400 Kg	9"	Holden, Ford, Landcruiser.
50mm square	2000 Kg	12"	Landcruiser.
Electric			
Shaft	capacity	Drum	Fitment
40mm square	1000 kg	10"	Holden, Ford, Mini, Landcruiser.
45mm square	1400 kg	10"	Holden, Ford, Landcruiser.
50mm square	1500 kg	10"	Holden, Ford, Landcruiser.
50mm square	1600 Kg	10"	Landcruiser, Ford.
50mm square	2000 Kg	12"	Landcruiser.
65mm round	2400 Kg	12"	Landcruiser.
63mm square	2400 Kg	12"	Landcruiser.

**Hydraulic drum brake hub. 40mm SQ shaft.**



Below.

Full length axle fitted with hydraulic drum brakes. Brake lines T piece and rubber connecting hose are supplied fitted with the axle. Shown with optional 15 x 7 Sunraysia wheel with 235/75R15 tyre.



Hydraulic Disc Brake Axles		
Shaft	Capacity	Fitment
40mm square	1000 Kg	Holden, Ford, Mini, Landcruiser.
45mm square	1400 Kg	Holden, Ford, Landcruiser.
50mm square. Parallel bearings.	1500 Kg	Landcruiser
50mm square.	2000 Kg	Landcruiser
63mm square	2000 Kg	Landcruiser

**Standard hydraulic disc brake axle.**

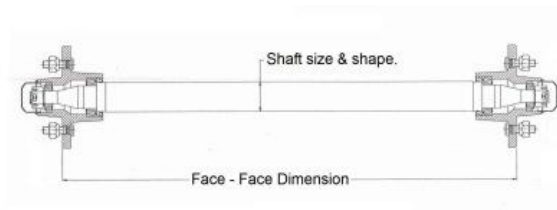


Mechanical Disc Brake Axles		
Shaft	Capacity	Fitment
40mm square	1000 kg	Holden, Ford, Mini, Landcruiser.
45mm square	1400 kg	Holden, Ford, Landcruiser.
45mm square. Parallel bearings	1500 kg	Landcruiser
50mm square. Parallel bearings.	1600 kg	Landcruiser
50mm square	2000 kg	Landcruiser
63mm square	2000 kg	Landcruiser

**Standard mechanical disc brake hub.**

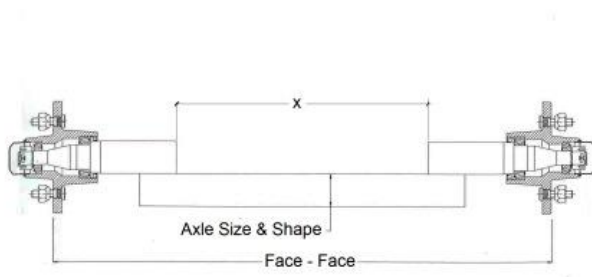


**Standard full length axle.**



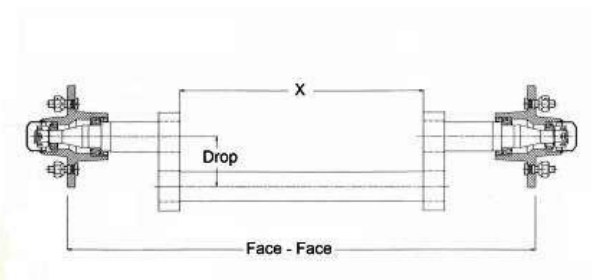
**Overlay axle.**

Designed to lower trailer height.  
Available in braked and un- braked versions.  
Additional charge applies.



**Drop Axle.**

Designed to lower trailer height  
Available in 2.5" or 4" drops. (Drop plates vary in thickness depending on size)  
Available in braked and un- braked versions.  
Additional charge applies.



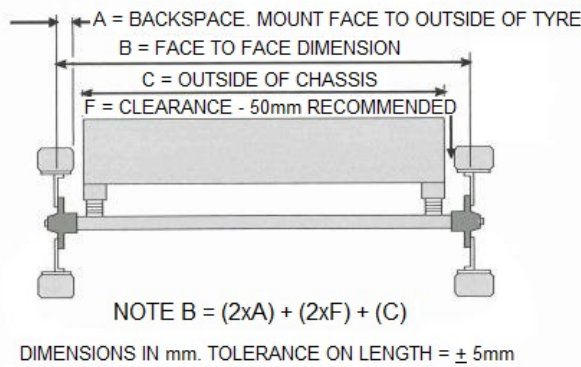
**How to calculate axle lengths.**

When ordering full length axles it is important to take the correct dimensions to ensure your axle will fit.  
If ordering a replacement axle measure the Face to Face dimension (B) across the hubs. The face is the surface that the wheel contacts when

fitted. See Below.

When building a new trailer the same dimension is required however you will have to check your chassis clearance and wheel backspace to ensure the correct dimension is calculated.

Note: The recommended chassis clearance is 50mm however this can be varied to suit your needs.



Popular Hub bolt patterns			
Type	Number of studs	Stud *	P.C.D
BMW, Gemini	4	1/2"	100 mm
Mini (ATV)	4	1/2"	4" (101.6mm)
Holden HT	5	7/16"	4.25" (107.95mm)
Ford	5	1/2"	4.5" (114.3mm)
Commodore	5	1/2"	120mm
Commodore VE	5	9/16"	120mm
Holden HQ	5	7/16"	4.75" (120.65mm)
Landcruiser New	5	9/16"	150mm
Landcruiser Old	6	1/2"	5.5" (139.7mm)
USA Tractor	6	1/2"	6" (152.4mm)
USA Tractor	6	9/16"	6" (152.4mm)

\* Stud size supplied in hubs

## STUB AXLE ASSEMBLIES

TRAILER AND BODY EQUIPMENT / STUB AXLE ASSEMBLIES



Aline Trading P/L offer a wide range of stub axle assemblies with various capacities and designs to suit your needs.

The products listed below represent our standard range and are divided into three sections.

- On-road rated.** These are designed for high speed applications such as on-road trailers and fit most standard wheels. Our stubs are made in Australia which allows us to vary the stub and stud patterns to meet your needs for custom builds. They can also be used for Agricultural and Industrial applications when suitable. Assembled with quality, NSK bearings.
- Off-Road rated.** Suitable for low speed Agricultural and Industrial trailers. Especially those used in soil tillage applications or those involving dirty conditions. Features include: Quality materials and bearings, multi lip seals, replaceable seal wear rings on most models and bolt on cast iron dust caps to prevent loss during use.
- FAD Off-Road rated.** Suitable for low speed agricultural and industrial trailers. The Italian FAD range of stub axles feature a strong forged steel hub that offers increased strength and reduced weight.

Other variations are available on request. Please contact us today to discuss your requirements.



On-Road range.

On-Road rated 100 kmph						
Part No	Fitment	P.C.D	Stud	Flange	Stub	Kg/ea
AL03155	HT	5/107.95	7/16"	140	39 RND	375
AL03250	HQ	5/120.65	7/16"	150	39 RND	375
AL03008	Mini	4/100	1/2"	140	39 RND	375
AL03251	Ford	5/114.3	1/2"	140	39 RND	375
AL03252	Ford	5/114.3	1/2"	150	39 RND	375
AL03253	L/Cruiser	6/139.7	1/2"	190	39 RND	375
AL03241	HT	5/107.95	7/16"	140	40 SQ	500
AL03379	HQ	5/120.65	7/16"	150	40 SQ	500
AL03149	Mini	4/100	1/2"	140	40 SQ	500
AL03012	Ford	5/114.3	1/2"	140	40 SQ	500
AL03120	Ford	5/114.3	1/2"	150	40 SQ	500
AL03156	L/Cruiser	6/139.7	1/2"	190	40 SQ	500
AL03367	HT	5/107.95	7/16"	150	45 SQ	700
AL03380	HQ	5/120.65	7/16"	150	45 SQ	700
AL03220	FORD	5/114.3	1/2"	150	45 SQ	700
AL03381	L/CRUISER	6/139.7	1/2"	190	45 SQ	700
AL03267	L/CRUISER	6/139.7	1/2"	190	45 RND	700
AL03182	L/CRUISER	6/139.7	1/2"	190	50 SQ	700
AL03090	L/CRUISER H40	6/139.7	1/2"	183	50 SQ	1000
AL03238	L/CRUISER H40	6/139.7	1/2"	183	50 RND	1000
AL03312	USA TRACTOR	6/152.4	1/2"	183	50 RND	1000
AL03378	USA TRACTOR	6/152.4	1/2"	191	56 RND	1600
AL03322	USA TRACTOR	6/152.4	9/16"	191	56 RND	1600
AL03243	L/CRUISER H50	6/139.7	1/2"	191	56 RND	1600
AL03003	L/CRUISER H50	6/139.7	1/2"	191	63 SQ	1600

Off-Road model



Off-Road rated at 25kmph						
Part No	Fitment	P.C.D	Stud	Flange	Stub	Kg/ea
AL03448	L/CRUISER	6/139.7	1/2	191	50 SQ	1600
AL03449	DIN 5 STUD	5/140	M16	191	50 SQ	1600
AL03249	L/CRUISER	6/139.7	1/2"	191	63 SQ	2000
AL03450	L/CRUISER	6/139.7	1/2"	191	60 SQ	2000
AL03201	DIN 6 STUD	6/205	M18	250	63 SQ	2000
AL03237	DIN 6 STUD	6/205	M18	250	63 SQ	2500
AL03451	DIN 6 STUD	6/205	M18	250	60 SQ	2500
AL03452	DIN 6 STUD	6/205	M18	250	70 SQ	3000
AL03195	DIN 6 STUD	6/205	M18	250	75 RND	3500
AL03248	DIN 8 STUD	8/275	M18	320	75 RND	3500
AL03246	DIN 6 STUD	6/205	M18	250	80 RND	4000
AL03245	DIN 6 STUD	6/205	M18	250	80 SQ	4000
AL03247	DIN 8 STUD	8/275	M18	320	80 RND	4000
AL03239	DIN 8 STUD	8/275	M18	320	80 SQ	4000
AL03453	DIN 6 STUD	6/205	M18	250	80 SQ	4500
AL03235	DIN 8 STUD	8/275	M20	320	90SQ	5500
AL03454	DIN 8 STUD	8/275	M20	320	90 SQ	5500
AL03236	DIN 10 STUD	10/335	M22	381	90 SQ	5500
AL03244	DIN 10 STUD	10/335	M22	381	100 SQ	6500
AL03186	DIN 10 STUD	10/335	M22	390	110 RND	15000
AL03242	EARTH MOVER	12/425	M24	486	150RND	20000

**FAD. Off-Road stub axles.**

Since the 1950s the Italian made FAD axles have become well known as a quality product designed for agricultural applications.

Off-Road rated at 25kmph - IMPORTED FAD RANGE						
Part No	Fitment	P.C.D	Stud	Flange	Stub	Kg/ea
AL03231	DIN 5 STUD	5/140	M16	175	50 SQ	1600
AL03230	DIN 6 STUD	6/205	M18	245	60 SQ	2500
AL03344	DIN 6 STUD	6/205	M18	245	70 SQ	3750
AL03273	DIN 8 STUD	8/275	M18	320	70 SQ	3750
AL03274	DIN 8 STUD	8/275	M18	320	80 SQ	4500
AL03276	DIN 10 STUD	10/335	M22	380	90 SQ	5500
AL03277	DIN 10 STUD	10/335	M22	380	100 SQ	6500

AL03231 Shown below.

5 stud - 1600 kg capacity.



**COUPLINGS TOW BALLS AND MOUNTS.**

TRAILER AND BODY EQUIPMENT / COUPLINGS TOW BALLS AND MOUNTS.



Aline Trading P/L present a range of trailer couplings and towing balls to suit both on road and off-road applications.

Note: Agricultural tow eyes, both rigid and swivel are listed under a separate category.

### 50mm OFF-ROAD 750Kg

TRAILER AND BODY EQUIPMENT / COUPLINGS TOW BALLS AND MOUNTS. / 50mm OFF-ROAD 750Kg



A light duty pressed steel coupling ideal for off-road applications like ATV trailers, small sprayers etc. Suitable for use on a standard 50mm tow ball. Rear of coupling fits over a 50mm RHS drawbar. Not ADR approved for on-road use.

Part No	AL00723
Capacity	750Kg
Suits	50mm Ball

### 50mm MULTI FIT COUPLING 2000 Kg

TRAILER AND BODY EQUIPMENT / COUPLINGS TOW BALLS AND MOUNTS. / 50mm MULTI FIT COUPLING 2000 Kg



AL00657

A 50mm ductile iron, 4 mount hole, ball coupling rated to 2000 Kg for on-road applications.

The couplings multi-fit design makes it suitable for various applications.

Conventional box trailers with an A frame draw bar generally use the 3-bolt hole design.

Smaller trailers such as boat trailers, and agricultural trailers with a straight draw bar often use the 2-bolt hole design.

Features:

- Anti rattle head adjustment screw.
- Padlock facility for security.
- Multi Fit 3 bolt mount / 2 bolt mount pattern.
- Fits standard 50mm tow ball.

Note: Most states in Australia have a limit of 750kg for un-braked on-road trailers.

Standard 50mm 3 hole coupling	
Part number	AL00657
Capacity	2000 Kg
CTA	CTA-060840
Fits	50mm ball



### 50mm HYDRAULIC COUPLING 2000Kg

TRAILER AND BODY EQUIPMENT / COUPLINGS TOW BALLS AND MOUNTS. / 50mm HYDRAULIC COUPLING 2000Kg



A 50mm hydraulic override coupling suitable for drum or disc brakes, ADR rated to 2000 Kg for on-road applications.

- Anti rattle head adjustment screw.
- Grease nipples fitted for servicing.
- Reversing lockout facility to disable braking.
- Padlock facility for security.
- 4 bolt mount. 54mm x 184mm pattern.



- Fits standard 50mm tow ball.

50mm Hydraulic override coupling	
Part Number	AL00704
CTA	CTA-060841
Capacity	2000 Kg



### 50mm MECHANICAL COUPLING 2000Kg

TRAILER AND BODY EQUIPMENT / COUPLINGS TOW BALLS AND MOUNTS. / 50mm MECHANICAL COUPLING 2000Kg



A 50mm mechanical override coupling suitable for drum or disc brakes, ADR rated to 2000 Kg for on-road applications.

- Anti rattle head adjustment screw.
- Grease nipples fitted for servicing.
- Reversing lockout facility to disable braking.
- Padlock facility for security.
- 4 bolt mount. 54mm x 184mm pattern.
- Fits standard 50mm tow ball.
- Supplied with park brake lever and plate.

50mm Mechanical override coupling	
Part No	AL03097
CTA	CTA-060841
Capacity	2000 kg



PARK BRAKE CABLE KIT	
Part No	Description
AL03017	1x adjuster, 8m cable, 2xclips.



### 50mm ELECTRIC COUPLING 3500Kg

TRAILER AND BODY EQUIPMENT / COUPLINGS TOW BALLS AND MOUNTS. / 50mm ELECTRIC COUPLING 3500Kg



Australian Made.

A 50mm heavy duty ductile iron ball coupling suitable for use with electric trailer brakes. ADR rated to 3500 Kg for on-road applications.

- Anti rattle head adjustment screw.
- Padlock facility for security.
- 4 bolt mount. 54mm x 184mm pattern.
- Fits standard 50mm tow ball.
- Anti-swing handbrake lever on a contoured ratchet.

50mm Electric coupling	
Part No	AL00708
Capacity	3500 kg
CTA	CTA-060842
Fits	50mm ball



PARK BRAKE CABLE KIT	
Part No	Description
AL03017	1x adjuster, 8m cable, 2xclips.



## COUPLING MOUNT PLATES

TRAILER AND BODY EQUIPMENT / COUPLINGS TOW BALLS AND MOUNTS. / COUPLING MOUNT PLATES



Aline Trading P/L

These pre-made weld on coupling mount plates are available in two popular sizes that save you valuable time when making your trailer.

- Small plate P/N0 AL03429 suits single axle trailers with standard 3 hole couplings.
- Large plate P/No AL03082 suits tandem axle trailers with standard 4 hole couplings.

Part No	Description
AL03429	Single axle 3 hole.
AL03082	Tandem Axle 4 hole.

AL03429 coupling plate. Suits standard 3 hole couplings.



AL03082 coupling plate. Suits standard 4 hole couplings.



## 50mm TOW BALL 3500Kg

TRAILER AND BODY EQUIPMENT / COUPLINGS TOW BALLS AND MOUNTS. / 50mm TOW BALL 3500Kg



Part No AL02284

Australian standard design. Suitable for applications up to 3500 Kg load capacity.

## AL-KO OFF-ROAD 50mm BALL COUPLING

TRAILER AND BODY EQUIPMENT / COUPLINGS TOW BALLS AND MOUNTS. / AL-KO OFF-ROAD 50mm BALL COUPLING



This coupling is used for serious off-road use when the Australian Standard trailer couplings don't offer the degree of movement required.

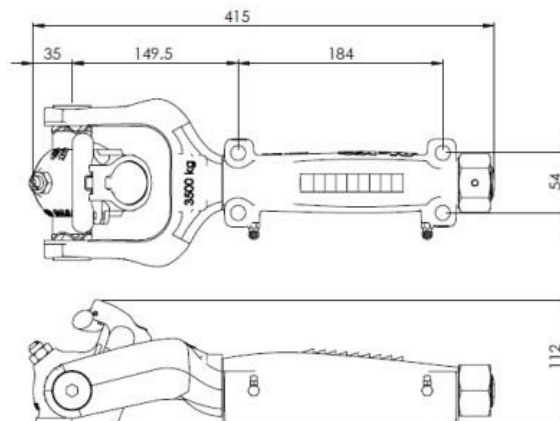
Engineered in Australia specifically for extreme off-road adventure, the new AL-KO Off-Road Ball Coupling incorporates extreme vertical and horizontal articulation as well as a quick & easy hitching design that uses a standard 50mm ball. No special attachment with pin or hole alignment issues!

Same bolt pattern as standard 4 hole couplings.

Part No	Description
AL00647	AL-KO Off-Road ball coupling.



50mm Ball - 3.5 T Fixed Electric



## ADJUSTABLE MOUNT 3500kg

TRAILER AND BODY EQUIPMENT / COUPLINGS TOW BALLS AND MOUNTS. / ADJUSTABLE MOUNT 3500kg



Heavy Duty 3500kg rated adjustable ball mount with cast shank and fabricated head that can be used in the inverted position to give up to 200mm height adjustment.

Suitable for vehicles including trucks fitted with a 50mm x 50mm Hitch Receiver towbar.

Supplied as complete kit including 50mm tow ball.

PART No	MODEL	DESCRIPTION
AL02441	HR70207	ADJUSTABLE BALL MOUNT



## 70mm COUPLING 6000kg

TRAILER AND BODY EQUIPMENT / COUPLINGS TOW BALLS AND MOUNTS. / 70mm COUPLING 6000kg



This heavy duty 6T, 70mm ball coupling is designed for on road towing of larger trailers. It has been tested to, and exceeds the requirements of ADR62 12.3.3.2. when used with an AS3919.1 (or equivalent) 70mm towball.

A park brake lever is included as an optional accessory for use with electric braking systems.

Mounting hole pattern = 4 holes on 184mm x 54mm. (Industry Standard bolt pattern). It is recommended that non lubricated zinc plated M16 x 2.0P Class 8.8 bolts, M16 flat washers and M16 Class 8.8 nuts torqued to 197Nm are used to fasten the coupling to the trailer through all four provided mounting holes.

<b>Part Number</b>	AL00703
<b>Model</b>	614065
<b>CRN</b>	50264
<b>D-Value</b>	50 kN
<b>V-Value</b>	14.4kN
<b>S-Value</b>	1200 kg. (Ball weight)
<b>Unit Weight</b>	7.3 Kg
<b>Capacity</b>	6,000 kg
<b>Suits</b>	70mm ball
<b>Finish</b>	Inorganic Zinc coating.

### Warning.

Removal of the anti-rattle system could cause the trailer to decouple from the towing vehicle. This could result in property damage, serious bodily injury or death.

Periodically ensure the anti-rattle system is adjusted correctly as follows.

1. Fit the coupling over a 70mm towball, making sure the handle latch is engaged when coupled.
2. Adjust the anti-rattle nut until tight, then back off 1/2 turn.

## 70mm TOW BALL 6000kg

TRAILER AND BODY EQUIPMENT / COUPLINGS TOW BALLS AND MOUNTS. / 70mm TOW BALL 6000kg



### 70mm tow ball.

The AL00706 tow ball has been designed for on road towing of larger trailers. It has been tested to and exceeds, the requirements of ADR62 12.3.3.2

<b>Part Number.</b>	AL00706
<b>Model</b>	HR05756
<b>D-Value</b>	38 kN
<b>V-Value</b>	10.8 kN
<b>S-Value</b>	1200 kg (Max ball weight)
<b>Unit weight</b>	3.2 Kg
<b>Capacity</b>	6000 Kg
<b>Shank Diam</b>	31.75mm
<b>Nut Torque</b>	750Nm.
<b>Finish</b>	Chrome Plated ball. Zinc plated nut and washer.

**These ratings must never be exceeded.**

It is the responsibility of the end user to ensure that all other components used in the tow vehicle to trailer towing connection are suitably rated, are fit for purpose, and are in compliance with all local legislation and or regulatory requirements.

The installer must ensure that the base of the tow ball sits flush with the mounting surface of the ball mount. This may require some relieving of the top of the mounting hole chamfer.

⚠️DO NOT MACHINE THE TOW BALL⚠️

**70mm BALL MOUNT.**

TRAILER AND BODY EQUIPMENT / COUPLINGS TOW BALLS AND MOUNTS. / 70mm BALL MOUNT.



Tow ball mount to suit Heavy Duty 50mm x 50mm Hitch Receiver towbars.

Suitable for use with the AL00706 Tow ball.

Load Rating = 4500kg.

A reducing bush is available to use a 50mm ball.

Part No	Model	Description.
AL03181	21314	70mm Tow Ball Mount.



**2 5/16" OFFROAD COUPLING 6000 Kg**

TRAILER AND BODY EQUIPMENT / COUPLINGS TOW BALLS AND MOUNTS. / 2 5/16" OFFROAD COUPLING 6000 Kg



<b>Part Number</b>	139.592.050
<b>Model</b>	FB2516
<b>Unit Weight</b>	8.2 Kg
<b>Capacity</b>	6000 Kg
<b>Suits</b>	2 5/16" ball
<b>Finish</b>	Prime painted



**2 5/16 INCH OFF-ROAD BALL 6000Kg**

TRAILER AND BODY EQUIPMENT / COUPLINGS TOW BALLS AND MOUNTS. / 2 5/16 INCH OFF-ROAD BALL 6000Kg



The Aline 2 5/16" (59mm) tow ball is fully machined from high grade steel and is designed for use with our FB style off-road (non highway) auto-lock couplings.

NOTE:

- The 2 5/16" ball and coupling are not accepted for on-road use in Australia.

<b>Part number</b>	139.592.010
<b>Model</b>	B2516
<b>Unit weight</b>	2.4 Kg
<b>Capacity</b>	6000 Kg
<b>Shank Diam</b>	45mm
<b>Fits</b>	FB series couplings
<b>Finish</b>	As machined. Zinc plated nut and washer



### 3" (76.2mm) ON-ROAD 10t COUPLING.

TRAILER AND BODY EQUIPMENT / COUPLINGS TOW BALLS AND MOUNTS. / 3" (76.2mm) ON-ROAD 10t COUPLING.



The SM series Auto-Lock coupling is designed for use on 5th wheel trailers, horse floats & Motorhomes.

Auto Lock couplings close automatically when the ball enters the coupling jaws. All couplings come with a manual locking pin, which must be engaged prior to moving the vehicle.

The 3" coupling and ball is the only size that can be legally used on Australian roads. If you are using a ball coupling for towing on Australian roads, it must be A.D.R approved.

Note:

The 2 5/16" couplings and balls found on many imported trailers are not legal on- road in Australia.

<b>Part Number</b>	139.334.110
<b>Model</b>	SM300
<b>CRN</b>	47029
<b>D-Value</b>	58kN
<b>V-Value</b>	40kN (heavy duty)
<b>S-Value</b>	9.81
<b>Unit Weight</b>	7.3 Kg
<b>Capacity</b>	10,000 kg
<b>Suits</b>	3" (76.2mm) ball.
<b>Finish</b>	Black - Electro Gal.





## 3" (76.2mm) ON-ROAD BALL 10 000 Kg

TRAILER AND BODY EQUIPMENT / COUPLINGS TOW BALLS AND MOUNTS. / 3" (76.2mm) ON-ROAD BALL 10 000 Kg



The 3" (76.2mm) tow ball is fully machined from high grade steel and is designed for use with the SM style on-road coupling. The tow balls have been fully tested and approved to ADR 62.2 standards and are supplied stamped with the relevant information.

<b>Part Number.</b>	139.334.010
<b>Model</b>	B3
<b>CRN</b>	47277
<b>D-Value</b>	58.8kN
<b>V-Value</b>	40kN
<b>Unit weight</b>	3.60 Kg
<b>Capacity</b>	10,000 Kg
<b>Shank Diam</b>	50.8mm
<b>Finish</b>	Chrome Plated ball. Zinc plated nut and washer.



## AUTOMATIC COUPLINGS

TRAILER AND BODY EQUIPMENT / COUPLINGS TOW BALLS AND MOUNTS. / AUTOMATIC COUPLINGS



## 40mm AUTO COUPLING

TRAILER AND BODY EQUIPMENT / COUPLINGS TOW BALLS AND MOUNTS. / AUTOMATIC COUPLINGS / 40mm AUTO COUPLING



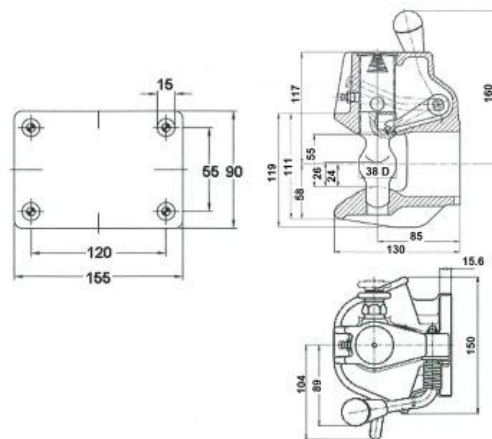
Aline Trading Pty Ltd.

A compact automatic trailer coupling for light trucks, industrial and agricultural equipment. I.e. fork lifts / grain harvesters.

Suits 40mm diameter tow eyes.

ADR Approved

<b>Part number</b>	AL03170
<b>Model</b>	R243
<b>CRN</b>	43247
<b>Funnel size</b>	100mm x 150mm
<b>Mounting holes</b>	120mm x 55mm - 15mm Diam
<b>Weight</b>	4.4 Kg
<b>D - value</b>	30 (kN)
<b>Dc - value</b>	30 (kN)
<b>S - value (admissible static vertical load)</b>	350 (kg)
<b>V - value</b>	12 (kN)
<b>-----</b>	<b>-----</b>
<b>Off - Road use information</b>	
<b>Max tow vehicle weight</b>	5000 (kg)
<b>Max tow load without vertical load</b>	20,000 (kg)



### PINTLE HOOKS ON-ROAD RATED

TRAILER AND BODY EQUIPMENT / COUPLINGS TOW BALLS AND MOUNTS. / PINTLE HOOKS ON-ROAD RATED



Aline trading presents a range of quality approved pintle hooks suitable for on or off-road towing applications. Each unit has a CRN number and have been tested in Australia to comply with the ADR's. All models are supplied with a mounting kit.

### 6 ton DUAL PURPOSE BALL AND HITCH

TRAILER AND BODY EQUIPMENT / COUPLINGS TOW BALLS AND MOUNTS. / PINTLE HOOKS ON-ROAD RATED / 6 ton DUAL PURPOSE BALL AND HITCH



Combination pintle hook with 50mm ball.

Hook designed for use with a 76mm Ring Coupling.

Made from drop forged alloy steel and finished with black powder coat for durability and corrosion resistance.

<b>Part Number</b>	AL03031
<b>Tow rating on hook</b>	6000 kg
<b>Tow rating on ball. On-road</b>	3500 kg
<b>Weight</b>	3.9 kg
<b>D-Value ball</b>	19.92 kN
<b>D-Value hook</b>	34.08 kN
<b>CRN</b>	44543/44544
<b>Mounting hole dimensions.</b>	Horizontal = 85mm Vertical = 45mm



## 10 ton

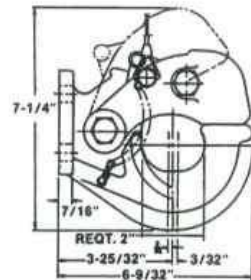
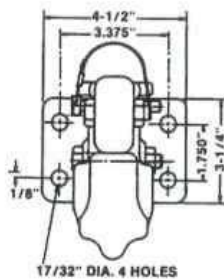
TRAILER AND BODY EQUIPMENT / COUPLINGS TOW BALLS AND MOUNTS. / PINTLE HOOKS ON-ROAD RATED / 10 ton



The 10 ton heavy duty rigid pintle hook is made from forged alloy steel & finished with black powder coat for durability and corrosion resistance.

Pintle hooks are supplied individually boxed and include mounting information, specification sheet, mounting kit and drilling template.

<b>Part Number</b>	AL02446
<b>Model</b>	89676
<b>Max vertical load</b>	kg
<b>M.G.T.W</b>	kg
<b>Weight</b>	5.33 kg
<b>D-Value</b>	kn
<b>CRN</b>	44545
<b>Drawbar eye diameter</b>	50-76 mm
<b>Drawbar eye section</b>	32-41 mm



## PINTLE HOOK MOUNT



An 8 hole, pintle hook mount with high and low positioning.  
 Finished with black powder coat for superior durability and corrosion resistance.

Part No	AL02440
CRN	44737
M.G.T.W. (ATM)	6000 kg
'D' Value	88.31kN
Shank size	2" x 2" x 9" long
weight	4.6 kg
Mount pattern.	Horizontal = 85mm Vertical = 45mm
Shank	50mm SQ Solid x 210mm
Mounting pin hole.	17mm x 70mm from end.



**TWIN PLATE MOUNT.**



Mount with pin to suit Heavy Duty 50mm x 50mm Hitch Receiver tow bars.  
 Ideal for farm equipment.  
 Rating 3500kg.

Part No	Model	Description
AL01487	HR21179	TWIN PLATE MOUNT.



## HITCH PIN AND CLIP

TRAILER AND BODY EQUIPMENT / COUPLINGS TOW BALLS AND MOUNTS. / HITCH PIN AND CLIP



Standard hitch pin and spring clip to secure standard 50mm x 50mm tow ball mounts.

PART No	MODEL	DESCRIPTION
AL03433	HR55025BL	HITCH PIN AND CLIP.



## SPRING/SUSPENSION KITS.

TRAILER AND BODY EQUIPMENT / SPRING/SUSPENSION KITS.



**Aline Trading Pty Ltd presents a wide range of suspension systems to suit your requirements.**

**This includes:**

- Traditional leaf style suspensions in Single, Tandem and Tri-Axle configurations using Slipper, Rocker or Roller/Rocker style springs.
- Australian Made Simplicity axle suspensions.
- Australian Made Simplicity coil suspensions including single axle and tandem load sharing models.
- Canadian Silent Ride suspensions including the axle-less suspension for maximum ground clearance.
- Rubber Torsion suspension/axles.
- Rogers Suspension. Heavy duty single, tandem and tri units.

## LEAF SPRING SUSPENSIONS.

TRAILER AND BODY EQUIPMENT / SPRING/SUSPENSION KITS. / LEAF SPRING SUSPENSIONS.



Aline Trading P/L present a range of conventional leaf spring kits suitable for on-road and off-road trailers.

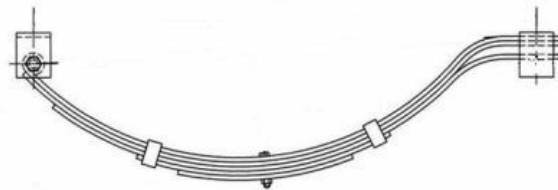
Our spring kits are available in a range of load capacities and designs to suit your needs.

Kits are supplied with all components required for fitment including U bolts and fish plates to secure the axle.

Please contact us today to discuss your requirements.

Single axle spring sets.			
Style	No Leaves	Capacity Kg	Part No
Eye - Slipper 45mm wide	3	560	AL01140
	4	740	AL01141
	5	920	AL01142
	6	1100	AL03029
	7	1300	AL01144
Eye - Slipper 60mm wide	5	1150	AL03030
	6	1400	AL01145
	7	1570	AL03063
Eye - Eye 60mm wide	5	1200	AL03290
	6	1500	AL03033
	7	1700	AL03035
Off-Road Eye-Eye 60mm wide	5	1150	AL03414
	6	1350	AL03377
	7	1550	AL03287
	8	1750	AL03285
	9	2000	AL03272

Single. Eye - Slipper

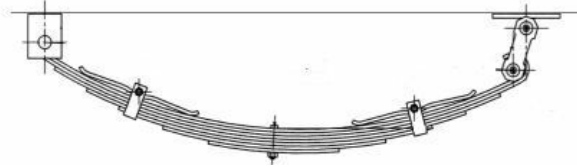


Single. Eye - Eye.



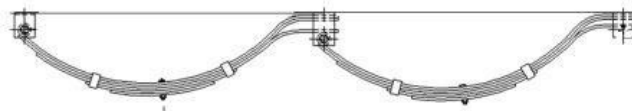


Single. Off-Road Eye-Eye.

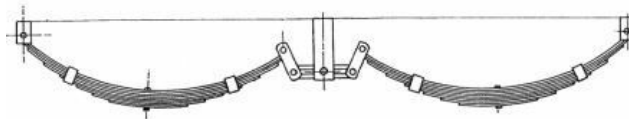


Tandem Axle Spring Sets.			
Style	No Leaves	Capacity Kg	Part No
Eye - Slipper 45mm Wide	4	1110	AL03162
	5	1380	AL03309
	6	1650	AL03007
	7	1950	AL03282
Eye - Slipper 60mm Wide	5	1725	AL03327
	6	2100	AL03328
	7	2350	AL03279
Tandem Rocker 60mm Eye - Eye	5	2000	AL03028
	6	2500	AL03004
	7	3000	AL02294
Tandem Roller Rocker Offset for 14" Wheels 60mm Eye - Loop	6	2500	AL03166
	7	3000	AL03423
	8	4000	AL02292
Tandem Roller Rocker Centered 60mm Eye - Loop	7	3000	AL03034
	8	4000	AL03011
	9	5000	AL03167

Tandem Eye -Slipper

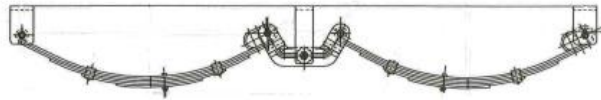


Tandem Rocker.



Tandem Roller Rocker.



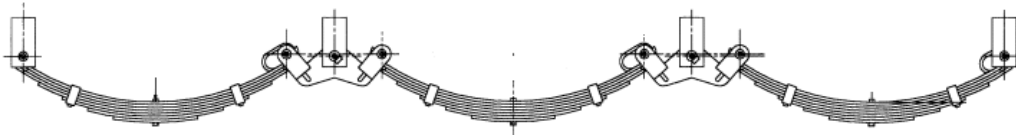


Tri Axle Roller Rocker Spring Sets Centred springs. Suit 16" wheels		
No Leaves	Capacity Kg	Part No
8	6000	AL03054
7	4500	AL03340

Tri Axle Roller Rocker Spring Sets. Centred & Offset springs. Suit 14" Wheels.		
No Leaves	Capacity Kg	Part No
8	6000	AL02757
7	4500	AL03340

Tri Axle Roller Rocker.

FRONT



## SIMPLICITY SUSPENSIONS

TRAILER AND BODY EQUIPMENT / SPRING/SUSPENSION KITS. / SIMPLICITY SUSPENSIONS



Simplicity suspensions offer superior ride, handling and ground clearance.

They are a popular choice for Horse Floats, Plant & equipment trailers, Header Comb and fuel trailers, Boom Spray and Air blast Spray Units, Boat & Car Trailers.

Simplicity suspensions also feature a unique toe in "toe out adjustment, reduced unsprung weight, smoother ride and built in sway control. Every component used in the construction is the best available.

From the 750kg capacity rubber sprung single axle to the 6 tonne tandem used for off road Agricultural Implements there is a Simplicity Axle suspension to suit your specific needs whether for commercial, recreational agricultural use.

Hydraulic, electric or un-braked hubs are used depending on the application.

Note: It is essential that the appropriate wheels and tyres be fitted, suited to each application.

### Single / Simplicity axles.

750kg " 2500kg

The simplicity axles feature a trailing arm using their convoluted rubber springs for a very light cushioned ride. Leaf springs are used on heavier units.

### On Road / Off road " Tandem Simplicity suspensions.

2250kg " 4400kg

Able to achieve full articulation in an unladen state.

### Agricultural (OFF-ROAD) " Tandem Simplicity Suspensions.

750kg- 4400kg.

All the features of the on-road units however restricted to 30km/hr maximum.

Also available in drop axle versions for lower ride height.





## SIMPLICITY SMART COIL SUSPENSION.

TRAILER AND BODY EQUIPMENT / SPRING/SUSPENSION KITS. / SIMPLICITY SMART COIL SUSPENSION.



The Simplicity Smart Coil Suspension offers the quality, durability and dependability for which Simplicity Axles are well known. In addition they feature the unique Patented "Variable Rate Coil Spring".

This innovative spring design offers a softer, smoother ride under light load whilst easily able to meet the challenge of heavier, harsher OFFROAD conditions while providing a quality ride with true tracking and control.

Simplicity Smart Coil is available in both single axle configuration from 1800-2600kg and Tandem Axle configuration from 2500-4200kg. Tandem available in twin trailing arm or single beam leading arm / trailing arm configuration.





## SIMPLICITY TANDEM LSC SUSPENSION.

TRAILER AND BODY EQUIPMENT / SPRING/SUSPENSION KITS. / SIMPLICITY TANDEM LSC SUSPENSION.



The Simplicity LSC (Load Sharing Coil) is the only Load Sharing coil sprung Independent axle on the market.

The Simplicity LSC offers massive wheel articulation (in excess of 200mm) whilst providing a low ride height keeping a low centre of gravity. This aids stability and keeps tyres in contact with road surfaces at all times, a substantial benefit in greasy conditions. The shock absorbers on the LSC only dampen the springs and are unaffected by the non-compressive articulation. This greatly reduces the heat build-up and fades in the shock absorbers helping maintain stability for longer periods in extreme conditions.

In addition they feature the unique Patented "Variable Rate Coil Spring".

This innovative spring design offers a softer, smoother ride under light load whilst easily able to meet the challenge of heavier, harsher OFFROAD conditions while providing a quality ride with true tracking and control.

Patent No 2016903366

Simplicity LSC Tandem Axle capacity available from 2500-4200kg.





## SILENT RIDE SUSPENSIONS.

TRAILER AND BODY EQUIPMENT / SPRING/SUSPENSION KITS. / SILENT RIDE SUSPENSIONS.



Silent Ride single or Tandem equalised suspensions feature:

- Smooth, silent rubber cushion ride.
- Simple installation.
- Maintenance Free rubber bushing designed for the life of the trailer.
- Equal load on all tyres at all times. ( Tandems )
- Capacity 950kg – 6350kg
- Suits all standard trailer axles.

Also available are the Silent Ride AXLE – LESS trailer suspensions suitable for on and off-road applications.

Featuring:

- Maximum clearance achieved by removing the thru axles.
- Lowest Deck Heights possible.
- Softest, quietest ride available.
- Fits all frame widths.

- Simple Bolt on installation.



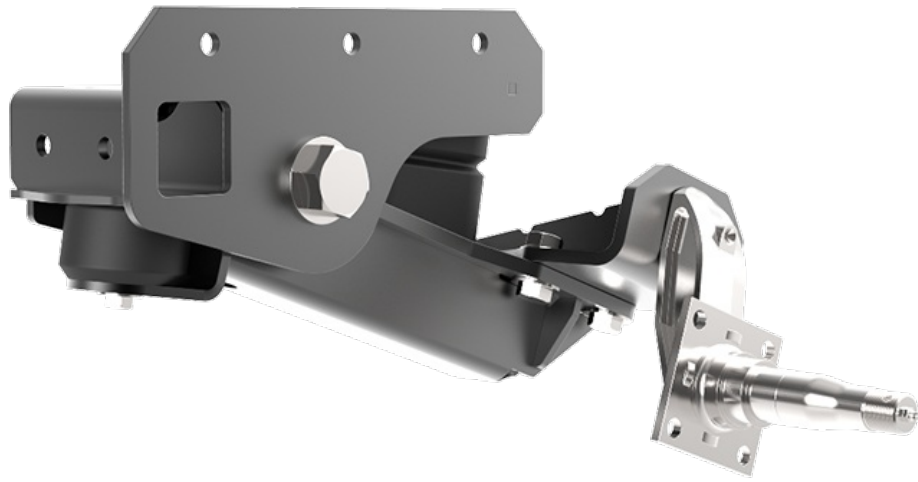
Silent Ride Tandem Equalised Suspension.



Silent Ride Single Axle Suspension.



Silent Ride Axle-Less Suspension. No cross axle for Maximum ground clearance.



# AXLE-LESS

## TRAILER SUSPENSIONS

### RUBBER TORSION SUSPENSION

TRAILER AND BODY EQUIPMENT / SPRING/SUSPENSION KITS. / RUBBER TORSION SUSPENSION



Rubber Torsion axles are available in a range of styles including straight, V shape and 2 piece (Stub axle) styles, with various hub & brake systems giving capacities of 750 kg â€” 3000kg per axle.

Rubber Torsion axles are a torsion arm type suspension which is completely self-contained within the axle tube. It attaches directly to the trailer chassis using brackets which are an integral part of the axle assembly. Torsion axles provide improved suspension characteristics when compared to leaf spring axles due to the unique arrangement of a steel bar surrounded by four rubber cords encased in the main structural member of the axle beam. The wheel/hub stubs are attached to a lever, called a torsion arm, which is fastened to the rubber encased bar. As load is applied, the bar rotates causing a rolling/compressive resistance in the rubber cords. This system provides true independent suspension, with far fewer components than conventional systems.

Due to the way these axles are designed and manufactured, the ride height can be set at various positions during production to suit a raised or lowered height, they are self-damping and independent. Rubber Torsion axles, deliver a smooth, quiet ride resulting in an improved towing experience.

Apart from periodic inspection of the fasteners used to attach the axle to the vehicle frame, no other suspension maintenance is required on Rubber Torsion Suspensions. They are, of course, subject to normal maintenance and inspection procedures regarding brakes, hubs, bearings, seals, wheels and tyres.

The inbuilt strength of the torsion axle means that it can be used as a structural cross member which reduces chassis weight. Further, depending on the configuration, torsion axles can save weight when compared to the total weight of a traditional system. This is largely due to the fact that rubber torsion axles are an axle and suspension in one unit, rather than a combination of axle and suspension.

Contact us today to discuss your needs.

Rubber Torsion axle.



Rubber Torsion axles. V shape shown.



Rubber Torsion half axles.



## ROGERS SUSPENSION SYSTEMS.

TRAILER AND BODY EQUIPMENT / SPRING/SUSPENSION KITS. / ROGERS SUSPENSION SYSTEMS.



Rogers are one of Australia's leading manufacturers of trailer suspensions. They supply many organisations like the Australian Defence Force and Telstra with a range single, tandem & Tri Axle suspensions with spring or air bag systems.

Capacities from 2250kg to 15,000kg.

Please contact us to discuss your needs.

Rogers Single axle suspensions with spring or Air Bag designs.



Tandem and tri axle suspensions with rocher springs or trailing arm air bags.



Complete Air suspension systems available 4t - 13t.



## MUD GUARDS / MUD FLAPS

TRAILER AND BODY EQUIPMENT / MUD GUARDS / MUD FLAPS

Aline Trading P/L present a range of mudguards suitable for on-road and off-road trailers.

Made in Australia, our standard guards are 4 fold and offer a strong and attractive profile.

For compact trailers using 12" or 13" wheels we offer the 3 fold guard as an alternative.

Our mudguards are available in smooth steel or chequer plate in a range of sizes suitable for single, tandem or triple axle sets and a variety of wheel sizes.

Standard finish is bare unpainted steel with some made from galvanised sheet. Refer list below.

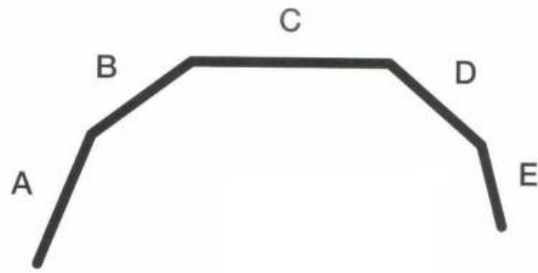
Other sizes are available galvanized to order. A lead time may apply.

Plastic guards are also available for Marine use. See below.



Part No	Type	Width	Girth	Tip/Tip	Wheel Fitment	Finish
AL01468	Single	6"	32"	19.25"	8"	Smooth
AL01465	Single 3F	7"	38.5"	26.5"	12"/ 13"	Gal
AL01467	Single	7"	41"	26"	12" / 13"	Smooth
AL00060	Single	9"	49"	33.5"	14"	Smooth
AL01474	Single	9"	49"	33.5"	14"	Checker
AL01835	Single	9"	49"	33.5"	14"	Gal
AL01469	Single	11"	49"	33.5"	14"	Smooth
AL01470	Single	11"	63"	38.25"	16"	Smooth
AL01475	Single	11"	63"	38.25"	16"	Checker
AL01462	Single	12"	63"	38.25"	16"	Smooth
AL01466	Single	12"	63"	38.25"	16"	Checker
AL01471	Tandem Slipper	9"	84"	61.5"	14"	Smooth
AL03083	Tandem Slipper	9"	84"	61.5"	14"	Checker
AL01844	Tandem Slipper	9"	84"	61.5"	14"	Gal
AL01476	Tandem Slipper	10"	84"	61.5"	14"	Smooth
AL01478	Tandem Slipper	11"	84"	61.5"	14"	Checker
AL01486	Tandem Slipper	11"	84"	61.5"	14"	Smooth
AL01479	Tandem Rocker	9"	91"	68.5"	14"	Checker
AL03308	Tandem Rocker	9"	91"	68.5"	14"	Smooth
AL01481	Tandem Rocker	10"	91"	68.5"	14"	Smooth
AL01488	Tandem Rocker	10"	91"	68.5"	14"	Checker
AL00037	Tandem Rocker	11"	91"	68.5"	14"	Smooth
AL01477	Tandem R/Rocker	9"	96"	73.25"	14"	Smooth
AL01463	Tandem R/Rocker	10"	96"	73.25"	16"	Checker
AL01472	Tandem R/Rocker	11"	96"	73.25"	16"	Smooth
AL01473	Tandem R/Rocker	11"	96"	73.25"	16"	Checker
AL01480	Tandem R/Rocker	12"	96"	73.25"	16"	Checker
AL03056	Tri Axle R/Rocker	9"	130"	107"	14"	Smooth

6" Wide 4 Fold single guards.					
A	B	C	D	E	Tip - Tip
130	190	190	190	130	480
9" - 12" wide 4 fold single guards.					
A	B	C	D	E	Tip-Tip
270mm	210mm	395mm	215mm	155mm	850mm



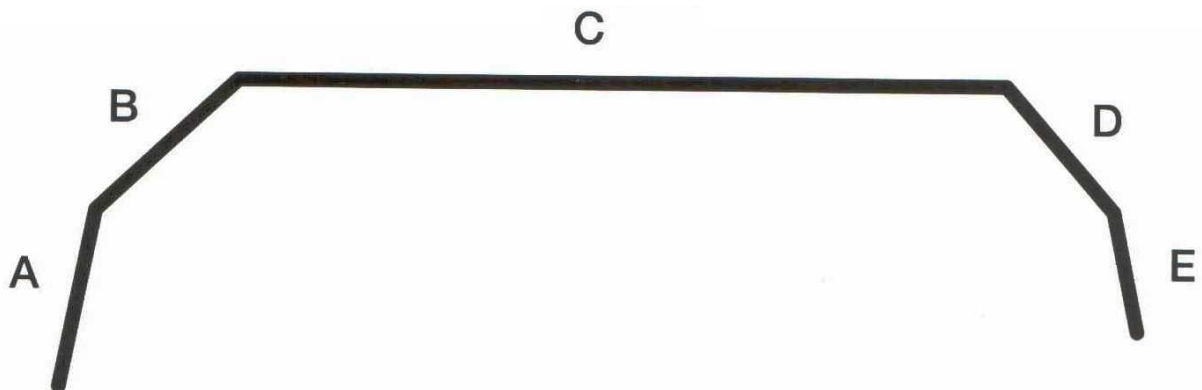
7" Wide 3 fold single guards					
A	B	C	D	Tip-Tip	
160mm	210mm	260mm	300mm	673mm	

9"-12" Wide 84" long 4 fold Tandem guards.					
A	B	C	D	E	Tip-Tip
310mm	270mm	1075mm	260mm	225mm	1560mm

9"-12" Wide 91" Long 4 fold tandem guards.					
A	B	C	D	E	Tip-Tip
310mm	270mm	1255mm	260mm	225mm	1740mm

9"-12" Wide 96" Long 4 fold tandem guards.					
A	B	C	D	E	Tip-Tip
310mm	270mm	1375mm	260mm	225mm	1860mm

9" Wide 130" Long 4 fold tri axle guards.					
A	B	C	D	E	Tip-Tip
310mm	270mm	2235mm	260mm	225mm	2720mm







PLASTIC MUDGUARDS WITH STEP				
Part No	Size	Length	Width	Height
AL00029	13"	940	230	300
AL01464	14"	1080	250	350

Ideal for marine use.

White stocked. Grey available to order.



MUDFLAPS				
Part No	Colour	Width	Length	
AL01482	Black	230	250	
AL01483	White	230	250	
AL01484	Black	280	280	
AL01485	White	280	280	



## LIGHTS AND ELECTRICAL

TRAILER AND BODY EQUIPMENT / LIGHTS AND ELECTRICAL



Aline Trading Pty Ltd is proud to present the quality range of LED lamps and accessories manufactured by LED Autolamps for the Automotive, Marine & Industrial markets.

The LED lamps detailed on this site are the core products held in stock by Aline Trading Pty Ltd.

Many other products are available to order. Details of these non- stocked products can be found by contacting us or by visiting the LED Autolamp website [www.ledautolamps.com](http://www.ledautolamps.com) and downloading the full catalogue.

Save money by consolidating your orders. LED Autolamps can now be shipped from us combined with your other goods.

Please ask us to quote your needs today.

## REAR COMBINATION LAMPS

TRAILER AND BODY EQUIPMENT / LIGHTS AND ELECTRICAL / REAR COMBINATION LAMPS



### AL00275 - 100x100x22

TRAILER AND BODY EQUIPMENT / LIGHTS AND ELECTRICAL / REAR COMBINATION LAMPS / AL00275 - 100x100x22



The 100 series multivolt lamps are a compact high quality lamp suited to a wide range of small trailers and plant trailers that is towed behind trucks running a 24V system.

<b>Part No</b>	AL00275
<b>Model</b>	100ARM
<b>Size</b>	100mmx100mmx22mm
<b>Function</b>	Stop - Tail - Indicator - Reflector
<b>Voltage</b>	12/24 Multivolt
<b>Warranty</b>	Lifetime
<b>IP67</b>	Rated - Waterproof
<b>Wiring</b>	Harness System compatible.



### AL00269 - 100x100x22

TRAILER AND BODY EQUIPMENT / LIGHTS AND ELECTRICAL / REAR COMBINATION LAMPS / AL00269 - 100x100x22



The 101BAR2 lamps have 8 high powered LED™s housed in a hardened acrylic lens, and tough ABS base. These lamps are fully IP67 waterproof & shock resistant making them perfect for small trailer applications.

Supplied as a pair in a blister pack.

<b>Part No</b>	AL00269
<b>Model</b>	101BAR2
<b>Size</b>	100mmx100mmx22mm
<b>Function</b>	Stop - Tail - Indicator - Reflector
<b>Voltage</b>	12V



### AL00214 - 107x107x23

TRAILER AND BODY EQUIPMENT / LIGHTS AND ELECTRICAL / REAR COMBINATION LAMPS / AL00214 - 107x107x23



The 99AR lamps are designed for the budget conscious consumer. They have 8 high powered LED™s housed in a hardened acrylic lens, and tough ABS base. These lamps are fully IP67 waterproof, shock resistant making them perfect for small trailer applications.

Supplied as individual lights in bulk pack.

<b>Part No</b>	AL00214
<b>Model</b>	99AR
<b>Size</b>	107mmx107mmx23mm
<b>Function</b>	Stop - Tail - Indicator - Reflector
<b>Voltage</b>	12V



### AL00231 - 107x107x23 Number Plate Light.

TRAILER AND BODY EQUIPMENT / LIGHTS AND ELECTRICAL / REAR COMBINATION LAMPS / AL00231 - 107x107x23 Number Plate Light.



The 99ARL2 lamps are designed for the budget conscious consumer. They have 8 high powered LED™s housed in a hardened acrylic lens, and tough ABS base. These lamps are fully IP67 waterproof, shock resistant making them perfect for boat trailer applications.

Supplied as a pair in a blister pack. One has a Licence Plate light built in.

<b>Part No</b>	AL00231
<b>Model</b>	99ARL2
<b>Size</b>	107mmx107mmx23mm
<b>Function</b>	Stop - Tail - Indicator - Licence - Reflector
<b>Voltage</b>	12V



**AL00215 - 150x80x22**

TRAILER AND BODY EQUIPMENT / LIGHTS AND ELECTRICAL / REAR COMBINATION LAMPS / AL00215 - 150x80x22



The 151BAR2 lamps have 8 high powered LED™s housed in a hardened acrylic lens, and tough ABS base. These lamps are fully IP67 waterproof & shock resistant making them perfect for small trailer applications. Supplied as a pair in a blister pack.

<b>Part No</b>	AL00215
<b>Model</b>	151BAR2
<b>Size</b>	150mmx80mmx22mm
<b>Function</b>	Stop - Tail - Indicator - Reflector
<b>Voltage</b>	12V



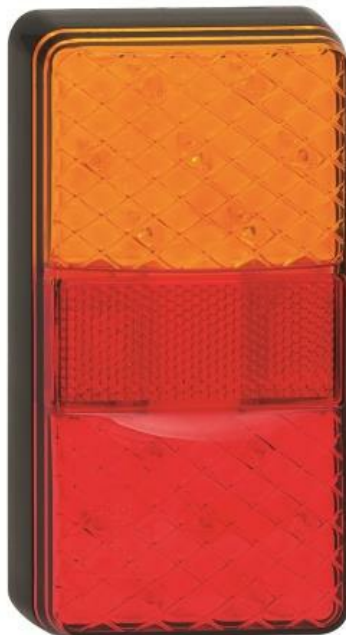
**AL00225 - 150x80x24**

TRAILER AND BODY EQUIPMENT / LIGHTS AND ELECTRICAL / REAR COMBINATION LAMPS / AL00225 - 150x80x24



The 150 series lamps are IP67 waterproof, rust proof, shock resistant and feature the diamond lens pattern. Specially designed male & female 4 pin plugs, compatible with the plug and drive away cable system. Supplied in blister of 2 lights. (One Pair)

<b>Part No</b>	AL00225
<b>Model</b>	150BAR2
<b>Size</b>	150mmx80mmx24mm
<b>Function</b>	Stop - Tail - Indicator - Reflector
<b>Voltage</b>	12V



#### AL00276 - 150x80x29 Number plate light

TRAILER AND BODY EQUIPMENT / LIGHTS AND ELECTRICAL / REAR COMBINATION LAMPS / AL00276 - 150x80x29 Number plate light



The 149 series lamps are IP67 waterproof and ECE approved. With a built in licence plate lamp they are ideally suited for boat trailers.

Supplied in a blister pack of 2 lamps.

<b>Part No</b>	AL00276
<b>Model</b>	149BARLP2
<b>Size</b>	150mmx80mmx29mm
<b>Function</b>	Stop - Tail - Indicator - Licence Plate - Reflector
<b>Voltage</b>	12V



#### AL00277 - 188x100x28

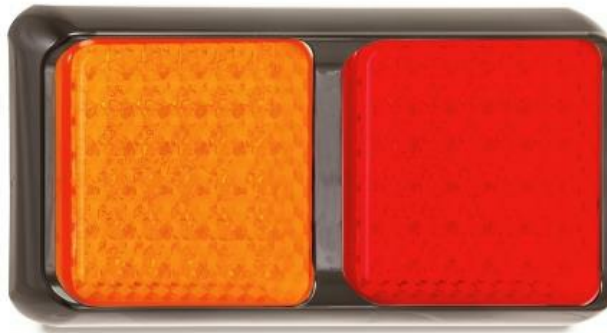
TRAILER AND BODY EQUIPMENT / LIGHTS AND ELECTRICAL / REAR COMBINATION LAMPS / AL00277 - 188x100x28



Designed for small trailers the 80 series lamps are IP67 (100%) Waterproof, shock resistant and feature a hexagonal lens pattern. Individual clip in lenses are used for easy replacement. Surface mountable with no visible screws.

ADR Approved.

<b>Part No</b>	AL00277
<b>Model</b>	80BARM
<b>Size</b>	188mmx100mmx28mm
<b>Function</b>	Stop - Tail - Indicator
<b>Voltage</b>	12-24V
<b>Lens</b>	Hardened Acrylic
<b>Base</b>	ABS



### AL00213 - 200x50x28

TRAILER AND BODY EQUIPMENT / LIGHTS AND ELECTRICAL / REAR COMBINATION LAMPS / AL00213 - 200x50x28



Designed to fit into tight places on trailers, small commercial vehicles and agricultural equipment.

The 200 series lamps are IP67 waterproof, shock resistant and feature a hexagonal lens pattern, Individual clip in lenses, surface mountable with no visible screws.

<b>Part No</b>	AL00213
<b>Model</b>	200BSTIM
<b>Size</b>	200mmx50mmx28mm
<b>Function</b>	Stop - Tail - Indicator
<b>Voltage</b>	12/24 Multivolt



### AL00264 - 237x25x18

TRAILER AND BODY EQUIPMENT / LIGHTS AND ELECTRICAL / REAR COMBINATION LAMPS / AL00264 - 237x25x18



A very compact recessed Stop/Tail/Indicator lamp featuring a slimline low profile design and clear lens when inactive.

<b>Part No</b>	AL00264
<b>Model</b>	235AR12
<b>Size</b>	237mm x 25mm x 18mm
<b>Voltage</b>	12V only
<b>LED QTY</b>	12
<b>IP67</b>	100% Waterproof
<b>Housing</b>	Polycarbonate
<b>ECE Approved</b>	Stop/Tail R1-S1-E9-02.11436 Indicator 2a-E9-01.11436



### AL00272 - 250x80x24

TRAILER AND BODY EQUIPMENT / LIGHTS AND ELECTRICAL / REAR COMBINATION LAMPS / AL00272 - 250x80x24



The 282 series lamps are a compact multi-volt lamp featuring a flexible mount system allowing them to be bolted or screwed in position. They are IP67 waterproof and ECE approved.

<b>Part No</b>	AL00272
<b>Model</b>	250ARWM
<b>Size</b>	250mmx80mmx24mm
<b>Function</b>	Stop - Tail - Indicator - Reverse - Reflector
<b>Voltage</b>	12/24 Multivolt



### AL00229 - 275x100x33

TRAILER AND BODY EQUIPMENT / LIGHTS AND ELECTRICAL / REAR COMBINATION LAMPS / AL00229 - 275x100x33



Designed for trailers & small commercial vehicles. These ADR approved lamps are IP67 waterproof, shock resistant, feature high brightness LED's and inbuilt reflectors.

<b>Part No</b>	AL00229
<b>Model</b>	275GARWM
<b>Size</b>	275mmx100mmx33mm
<b>Function</b>	Stop - Tail - Indicator - Reverse - Reflector
<b>Voltage</b>	12/24 Multivolt



### AL00206 - AL00207 - 278x100x28

TRAILER AND BODY EQUIPMENT / LIGHTS AND ELECTRICAL / REAR COMBINATION LAMPS / AL00206 - AL00207 - 278x100x28



#### Combination lamp. 278mm x 100mm x 28mm

Stop / Tail / Indicator / Reverse

Designed for trailers and small commercial vehicles.

Available in 12V only or multivolt 12-24V

80 series lamps are IP67 Waterproof and shock resistant. Individual clip in lenses are used for easy replacement. Surface mountable with no visible screws.

Part No	Model	Voltage
AL00206	80BARW	12V
AL00207	80BARWM	12V - 24V



AL00230 - 278x100x28

TRAILER AND BODY EQUIPMENT / LIGHTS AND ELECTRICAL / REAR COMBINATION LAMPS / AL00230 - 278x100x28



Designed for trailers the 80 series lamps are IP67 Waterproof, shock resistant and feature a hexagonal lens pattern. Individual clip in lenses are used for easy replacement. Surface mountable with no visible screws.

<b>Part No</b>	AL00230
<b>Model</b>	80BARR
<b>Size</b>	278mmx100mmx28mm
<b>Function</b>	Stop - Tail - Indicator
<b>Voltage</b>	12V



AL00241 - 280x95x28

TRAILER AND BODY EQUIPMENT / LIGHTS AND ELECTRICAL / REAR COMBINATION LAMPS / AL00241 - 280x95x28



The "Mini Jumbo" lamps are small versions of the large "Jumbo" lamps used on Semi Trailers and feature Stop/Tail/Indicator/Reverse lamps and are supplied with a separate red reflector. Designed for trailers and small commercial vehicles. These lamps are ECE Australian Road Approved, IP67 100% waterproof and shock resistant.

<b>Part No</b>	AL00241
<b>Model</b>	280ARWMB ( Mini Jumbo )
<b>Size</b>	280mmx95mmx28mm
<b>Function</b>	Stop - Tail - Indicator - Reverse Seperate red reflector.
<b>Voltage</b>	12/24 Multivolt



AL00244 - 280x95x28

TRAILER AND BODY EQUIPMENT / LIGHTS AND ELECTRICAL / REAR COMBINATION LAMPS / AL00244 - 280x95x28



The "Mini Jumbo Trailer" lamps are small versions of the large "Jumbo" lamps used on Semi Trailers and feature Stop/Tail and Indicator lamps and are supplied with a separate red reflector. Designed for trailers and small commercial vehicles. These lamps are ECE Australian Road Approved, IP67 100% waterproof and shock resistant.



<b>Part No</b>	AL00244
<b>Model</b>	280ARRMB ( Mini Jumbo Trailer)
<b>Size</b>	280mmx95mmx28mm
<b>Function</b>	Stop - Tail - Indicator - Reverse Seperate red reflector.
<b>Voltage</b>	12/24 Multivolt



### AL00284 - 281x101x30

TRAILER AND BODY EQUIPMENT / LIGHTS AND ELECTRICAL / REAR COMBINATION LAMPS / AL00284 - 281x101x30



The 82 Triple Series lights are a compact modern designed lamp for smaller vehicles with a chrome finish ABS bracket and clear PMMA lens.

<b>Part No</b>	AL00284
<b>Model</b>	82CARW
<b>Size</b>	281mmx101mmx30mm
<b>Function</b>	Stop - Tail - Indicator - Reverse
<b>Voltage</b>	12V
<b>Warranty</b>	5 Years
<b>Rated</b>	IP67 Waterproof
<b>Approval</b>	ECE Australian Road approved

ACTIVE



INACTIVE



#### Fitting Instructions.

Horizontally mount bracket onto flat surface with screws provided, ensuring TOP markings are positioned above centre holes. Remove backing from 3M tape on back of lens, run wires through desired centre hole and align the locator nodule on the end of the lens with the corresponding indentation on bracket. Apply firm hand pressure to ensure lamp adhesion. Repeat for each lens until all are secured securely.

### AL00274 - 283x100x25

TRAILER AND BODY EQUIPMENT / LIGHTS AND ELECTRICAL / REAR COMBINATION LAMPS / AL00274 - 283x100x25



The 283 series lamps are a modern design multivolt lamp featuring a flexible mount system allowing them to be bolted or screwed in position. They are IP67 waterproof and ADR approved.

<b>Part No</b>	AL00274
<b>Model</b>	283ARWM
<b>Size</b>	283mmx100mmx25mm
<b>Function</b>	Stop - Tail - Indicator - Reverse - Reflector
<b>Voltage</b>	12/24 MultivoIt



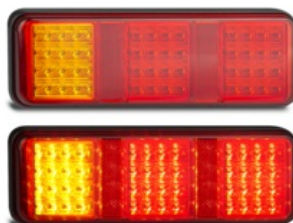
### AL00285 - 283x100x25

TRAILER AND BODY EQUIPMENT / LIGHTS AND ELECTRICAL / REAR COMBINATION LAMPS / AL00285 - 283x100x25

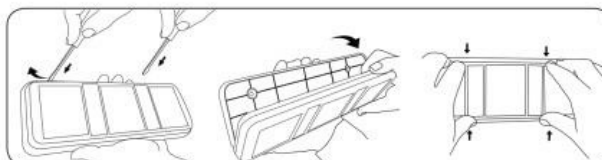


The 283 series lamps are a modern ADR approved design featuring a flexible mount system allowing them to be bolted or screwed in position.

<b>Part No</b>	AL00285
<b>Model</b>	283ARR12B
<b>Size</b>	283mmx100mmx25mm
<b>Function</b>	Stop - Tail - Indicator - Reflector
<b>Voltage</b>	12V
<b>IP</b>	IP67
<b>LED QTY</b>	48



### Bracket Removal Instructions



*Insert a Flat Screwdriver between the lamp and base and carefully lever the base away from the lamp until it releases. You will need to lever from both sides of the long edge. After fitting the base using the screw or bolt option simply reposition the lamp in the base and gently push until it clicks into place.*

### AL00239 - 284x100x27

TRAILER AND BODY EQUIPMENT / LIGHTS AND ELECTRICAL / REAR COMBINATION LAMPS / AL00239 - 284x100x27



The low profile 282 series lamps are ECE Australian Road Approved, fully submersible (IP67 100% waterproof), shock resistant and feature the Diamond shaped lens pattern with 48 high quality SMD LED's.

<b>Part No</b>	AL00239
<b>Model</b>	282ARWM
<b>Size</b>	284mmx100mmx27mm
<b>Function</b>	Stop - Tail - Indicator - Reverse
<b>Voltage</b>	12/24 Multivolt



### AL00273 - 284x100x27

TRAILER AND BODY EQUIPMENT / LIGHTS AND ELECTRICAL / REAR COMBINATION LAMPS / AL00273 - 284x100x27



The low profile 282 series lamps are ECE Australian Road Approved, IP67 waterproof, shock resistant and feature the Diamond shaped lens pattern with 48 high quality SMD LED's.

<b>Part No</b>	AL00273
<b>Model</b>	282ARRM
<b>Size</b>	284mmx100mmx27mm
<b>Function</b>	Stop - Tail - Indicator
<b>Voltage</b>	12/24 Multivolt



### AL00220 - 370x135x40

TRAILER AND BODY EQUIPMENT / LIGHTS AND ELECTRICAL / REAR COMBINATION LAMPS / AL00220 - 370x135x40



The Maxilamp triple series is a premium light designed for use on small/medium trucks and trailers.

Distinct in design, the Maxilamp's powerful LED illumination is intensely bright and instantly recognisable on the road as a quality product.

The Maxilamp's robust design features IP67 ingress protection, UV resistant hardened acrylic cover, housing with stainless steel fittings and solid state LED circuit technology to ensure you have years of trouble free service.

Shows as clear when not illuminated.

<b>Part No</b>	AL00220
<b>Model</b>	MAXILAMP 3XRWB
<b>Size</b>	370mmx135mmx40mm
<b>Function</b>	Stop - Tail - Indicator - Reverse - Reflector
<b>Voltage</b>	12 - 24V Multivolt





### AL00286 - 387x105x30.5 SEQUENTIAL

TRAILER AND BODY EQUIPMENT / LIGHTS AND ELECTRICAL / REAR COMBINATION LAMPS / AL00286 - 387x105x30.5 SEQUENTIAL



The 385 Sequential series has an innovative mounting base that is cleverly hidden by the main lamp and enables a clean surface mounted finish with no screws visible.

Intensified by the diffused tail light are the sequential indicators which light up in a dynamic sequence.

<b>Part No</b>	AL00286
<b>Model</b>	385ARWM-2
<b>Size</b>	387mmx105mmx30.5mm
<b>Function</b>	Stop - Tail - Indicator - Reverse
<b>Voltage</b>	12 - 24V Multivolt
<b>IP</b>	IP67
<b>ECE</b>	Approved



## AL00228 - 400x130x45

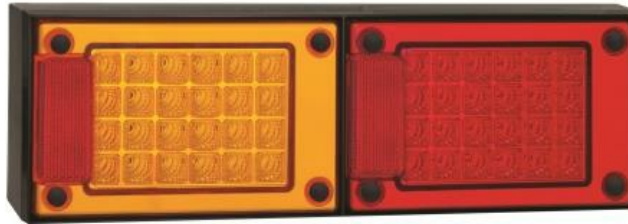
TRAILER AND BODY EQUIPMENT / LIGHTS AND ELECTRICAL / REAR COMBINATION LAMPS / AL00228 - 400x130x45



The J2 series "Jumbo" lamps are a classic style designed for larger trailers. They feature a specially designed inner chrome reflector, IP67 water proof, shock resistant, individual lenses available separately for replacement, High performance LED's, 5 year warranty.

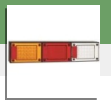
These lamps are ADR approved for horizontal or vertical mount.

<b>Part No</b>	AL00228
<b>Model</b>	JBARM (JUMBO)
<b>Size</b>	400mmx130mmx45mm
<b>Function</b>	Stop - Tail - Indicator - Reflector
<b>Voltage</b>	12 - 24V Multivolt



## AL00221 - 595x130x45

TRAILER AND BODY EQUIPMENT / LIGHTS AND ELECTRICAL / REAR COMBINATION LAMPS / AL00221 - 595x130x45



The J3 series "Jumbo" lamps are a classic style designed for larger vehicles. They feature a specially designed inner chrome reflector, IP67 water proof, shock resistant, individual lenses available separately for replacement, High performance LED's, 5 year warranty.

These lamps are ADR approved for horizontal or vertical mount.

<b>Part No</b>	AL00221
<b>Model</b>	J3BARWM ( JUMBO )
<b>Size</b>	595mmx130mmx45mm
<b>Function</b>	Stop - Tail - Indicator - Reverse - Reflector
<b>Voltage</b>	12 - 24V Multivolt



## AL00227 - 595x130x45

TRAILER AND BODY EQUIPMENT / LIGHTS AND ELECTRICAL / REAR COMBINATION LAMPS / AL00227 - 595x130x45



The J3 series "Jumbo" lamps are a classic style designed for larger trailers. They feature a specially designed inner chrome reflector, IP67 water proof, shock resistant, individual lenses available separately for replacement, High performance LED's, 5 year warranty.

These lamps are ADR approved for horizontal or vertical mount.

<b>Part No</b>	AL00227
<b>Model</b>	J3BARRM ( JUMBO )
<b>Size</b>	595mmx130mmx45mm
<b>Function</b>	Stop - Tail - Indicator - Reflector
<b>Voltage</b>	12 - 24V Multivolt



## REAR COMBINATION LAMPS WITH CABLES.

TRAILER AND BODY EQUIPMENT / LIGHTS AND ELECTRICAL / REAR COMBINATION LAMPS WITH CABLES.



Upgrading or fitting trays with LED rear lighting has never been easier with the new plugin lamps and patch cable system. Available in most popular rear combination lamps that are prewired with load resistors to prevent fast flashing indicators or error messages and terminated with quality Deutsch connectors.

The lights are then connected to your vehicle by using one of the many patch cable adaptor plugs available to suit most popular vehicles.

### AL00257 - 284x100x27

TRAILER AND BODY EQUIPMENT / LIGHTS AND ELECTRICAL / REAR COMBINATION LAMPS WITH CABLES. / AL00257 - 284x100x27



The traditional style light for Ute™s with a 450mm cable, 2 x load resistors and terminated with a Deutsch connector.

<b>Part No</b>	AL00257
<b>Model</b>	SO282ARWM2LR/450
<b>Function</b>	Stop/Tail/Indicator/Reverse
<b>Voltage</b>	12V
<b>Size</b>	284mm x 100mm x 27mm



### AL00258 - 282x95x28

TRAILER AND BODY EQUIPMENT / LIGHTS AND ELECTRICAL / REAR COMBINATION LAMPS WITH CABLES. / AL00258 - 282x95x28



The popular "Mini Jumbo" truck style light for Ute™s with a 450mm cable, 2 x load resistors and terminated with a Deutsch connector.

<b>Part No</b>	AL00258
<b>Model</b>	SO280ARWM2LR12/450
<b>Function</b>	Stop/Tail/Indicator/Reverse
<b>Voltage</b>	12V
<b>Size</b>	282mm x 95mm x 28mm



AL00259 - 275x100x33

TRAILER AND BODY EQUIPMENT / LIGHTS AND ELECTRICAL / REAR COMBINATION LAMPS WITH CABLES. / AL00259 - 275x100x33



A feature packed light for Ute™s with built in reflectors a 450mm cable, 2 x load resistors, terminated with a Deutsch connector, and a 500mm licence plate cable with 2 pin male plug.

<b>Part No</b>	AL00259
<b>Model</b>	SO275GARWM2LR450
<b>Function</b>	Stop/Tail/Indicator/ Reverse/Reflector
<b>Voltage</b>	12V
<b>Size</b>	275mm x 100mm x 33mm



AL00190 AL00191 - 387x105x30.5

TRAILER AND BODY EQUIPMENT / LIGHTS AND ELECTRICAL / REAR COMBINATION LAMPS WITH CABLES. / AL00190 AL00191 - 387x105x30.5



The 385 Sequential series has an innovative mounting base that is cleverly hidden by the main lamp and enables a clean surface mounted finish with no screws visible.

Intensified by the diffused tail light are the sequential indicators which light up in a dynamic sequence.

This popular sequential light is designed for Ute™s and light trucks and is supplied fitted with a CSB 7 pin plug which connects with a harness system suited to either 12V or 24V. A patch lead then finishes the assembly to suit your vehicle.

<b>Part No</b>	AL00190 - Right Hand
<b>Model</b>	385ARWMRCB
<b>Part No</b>	AL00191 - Left Hand
<b>Model</b>	385ARWMLCSB
<b>Size</b>	387mmx105mmx30.5mm
<b>Function</b>	Stop - Tail - Sequential Indicator - Reverse
<b>Voltage</b>	12 or 24V
<b>IP</b>	IP67
<b>ECE</b>	Approved

Photo below:

AL00190 light fitted with the AL00184 harness adapter suited to 12V systems.



## AL00260 - 370x135x40

TRAILER AND BODY EQUIPMENT / LIGHTS AND ELECTRICAL / REAR COMBINATION LAMPS WITH CABLES. / AL00260 - 370x135x40



The Maxi Lamp has always been a premium choice for Ute™s with its impressive appearance, built in reflectors and 90 LED™s. They are now available pre-wired with a 450mm cable, 2 x load resistors, terminated with a Deutsch connector, and a 500mm licence plate cable with 2 pin male plug.

<b>Part No</b>	AL00260
<b>Model</b>	SOMAXI2LR/450B
<b>Function</b>	Stop/Tail/Indicator/ Reverse/Reflector
<b>Voltage</b>	12V
<b>Size</b>	370mm x 135mm x 40mm



## PATCH LEADS AND ADAPTORS

TRAILER AND BODY EQUIPMENT / LIGHTS AND ELECTRICAL / REAR COMBINATION LAMPS WITH CABLES. / PATCH LEADS AND ADAPTORS



LED Vehicle patch cable's featuring quality wiring and plugs to connect pre-wired lights to popular vehicles. New leads are being introduced as models change.

<b>Part No</b>	<b>Description</b>
AL00247	D-Max
AL00249	Triton MN
AL00250	Triton MQ
AL00251	Ranger / BT50
AL00252	Hilux
AL00255	Colorado
AL00256	Navara NP300
AL00261	Land Cruiser
AL00248	Land Cruiser tray extension leads x 2
AL00281	Triton MN Single cab
AL00283	Amarok





**Patch Lead to Harness System Adapter.**

Adapt LED Autolamps CSB harness system rear lamps to vehicle patch leads.

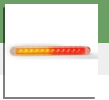
Connect the Deutsch connector to a suitable vehicle patch lead. Then connect the harness plug to a compatible harness system lamp.

Part No	Model	Description
AI00184	2LR12-450CSB	Harness Adaptor 12V. CSB - Deutsch 2 x load resistors + tail light lead.



**RECESSED STRIP LAMPS**

TRAILER AND BODY EQUIPMENT / LIGHTS AND ELECTRICAL / RECESSED STRIP LAMPS



Aline Trading Pty Ltd stock a range of popular LED recessed lamps. Other versions are available to order including dynamic sequential indicators.

**AL00212 - 130x25x12.5 White**

TRAILER AND BODY EQUIPMENT / LIGHTS AND ELECTRICAL / RECESSED STRIP LAMPS / AL00212 - 130x25x12.5 White



The 25 series recessed lamp is designed as a supplementary reverse light and can be used for many other applications where a compact low profile, powerful (17 LED) light is required.

<b>Part No</b>	AL00212
<b>Model</b>	25W12
<b>Size</b>	130mm x 25mm x 12.5mm
<b>Voltage</b>	12V only
<b>LED QTY</b>	17
<b>IP67</b>	100% Waterproof
<b>Housing</b>	Polycarbonate
<b>ADR Approved</b>	CRN 40511



### 237x25x18 - RED - AMBER - WHITE

TRAILER AND BODY EQUIPMENT / LIGHTS AND ELECTRICAL / RECESSED STRIP LAMPS / 237x25x18 - RED - AMBER - WHITE



#### Recessed Strip Lamps " 237mm x 25mm x 18mm Tail / Indicator / Reverse

<b>Part No</b>	AL00217
<b>Model</b>	235W12E - WHITE
<b>Size</b>	237mm x 25mm x 18mm
<b>Voltage</b>	12V
<b>LED QTY</b>	12
<b>IP67</b>	100% Waterproof
<b>ECE Approved</b>	AR-E9-00.1030

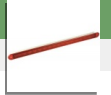


<b>Part No</b>	AL00218
<b>Model</b>	235A12 - AMBER
<b>Size</b>	237mm x 25mm x 18mm
<b>Voltage</b>	12V
<b>LED QTY</b>	10
<b>IP67</b>	100% Waterproof
<b>ADR Approved</b>	CRN 39092



<b>Part No</b>	AL00219
<b>Model</b>	235R12 - RED
<b>Size</b>	237mm x 25mm x 18mm
<b>Voltage</b>	12V
<b>LED QTY</b>	10
<b>IP67</b>	100% Waterproof
<b>ADR Approved</b>	CRN 37678





**Recessed Strip Lamps** 382mm x 25mm x 18mm

Tail / Indicator / Reverse

<b>Part No</b>	AL00209
<b>Model</b>	380W12 - WHITE
<b>Size</b>	282mm x 25mm x 18mm
<b>Voltage</b>	12V
<b>LED QTY</b>	18
<b>IP67</b>	100% Waterproof



<b>Part No</b>	AL00210
<b>Model</b>	230A12 - AMBER
<b>Size</b>	237mm x 25mm x 18mm
<b>Voltage</b>	12V
<b>LED QTY</b>	18
<b>IP67</b>	100% Waterproof
<b>ADR Approved</b>	CRN 39470



<b>Part No</b>	AL00211
<b>Model</b>	380R12 - RED
<b>Size</b>	237mm x 25mm x 18mm
<b>Voltage</b>	12V
<b>LED QTY</b>	18
<b>IP67</b>	100% Waterproof
<b>ADR Approved</b>	CRN 39473



A very compact recessed Stop/Tail/Indicator lamp featuring a slimline low profile design and clear lens when inactive.

<b>Part No</b>	AL00264
<b>Model</b>	235AR12
<b>Size</b>	237mm x 25mm x 18mm
<b>Voltage</b>	12V only
<b>LED QTY</b>	12
<b>IP67</b>	100% Waterproof
<b>Housing</b>	Polycarbonate
<b>ECE Approved</b>	Stop/Tail R1-S1-E9-02.11436 Indicator 2a-E9-01.11436



### LICENCE PLATE LAMPS

TRAILER AND BODY EQUIPMENT / LIGHTS AND ELECTRICAL / LICENCE PLATE LAMPS



### AL00202 - 65x30x24

TRAILER AND BODY EQUIPMENT / LIGHTS AND ELECTRICAL / LICENCE PLATE LAMPS / AL00202 - 65x30x24



Licence plate lamps.

Supplied in blister pack of 2 pcs. ( One pair)

Note: Two required per licence plate for ADR compliance. Top or side mount.

<b>Part No</b>	AL00202
<b>Model</b>	30BLM
<b>Size</b>	65mm x 30mm x 24mm
<b>Voltage</b>	12 - 24
<b>LED QTY</b>	3
<b>IP67</b>	100% Waterproof
<b>Housing</b>	Steel
<b>ADR Approved</b>	CRN 40511



### AL00203 - 76x42x30

TRAILER AND BODY EQUIPMENT / LIGHTS AND ELECTRICAL / LICENCE PLATE LAMPS / AL00203 - 76x42x30



The 35 series licence plate lamps are fully submersible, shock resistant and hard wired with 1 metre of cable and a plug which clips into the back of 100,150 & 275 series lamps.

Note: For ADR compliance. Two required per licence plate for side mount or one for Top mount.

<b>Part No</b>	AL00203
<b>Model</b>	35BLM
<b>Size</b>	76mm x 42mm x 30mm
<b>Voltage</b>	12 - 24V
<b>LED QTY</b>	4
<b>IP67</b>	100% Waterproof
<b>ADR Approved</b>	CRN 36280



### AL00204 - 375x173x25

TRAILER AND BODY EQUIPMENT / LIGHTS AND ELECTRICAL / LICENCE PLATE LAMPS / AL00204 - 375x173x25



The caravan licence plate frame fixes into the same screw pattern as standard Australian licence plates and allows the licence plate to be fitted underneath the twin lamps all in one housing. Comes with 1m of cable ending in a plug which clips into the back of the 100,150 and 275 series lamps.

<b>Part No</b>	AL00204
<b>Model</b>	LP 1
<b>Size</b>	375mm x 173mm x 25mm
<b>Voltage</b>	12 - 24V
<b>LED QTY</b>	6
<b>IP67</b>	100% Waterproof
<b>ADR Approved</b>	CRN 39611



### AL00242 - 60x22x32

TRAILER AND BODY EQUIPMENT / LIGHTS AND ELECTRICAL / LICENCE PLATE LAMPS / AL00242 - 60x22x32



A revolutionary new self adhesive Licence Plate Lamp design that saves installation time. The 60 series lamps feature a low profile compact design and strong polycarbonate housing.

#### Fitting Instructions.

Note: Two required per licence plate for ADR compliance. Top or side mount.

Drill a 10mm hole for the serrated plug. Pull the sheathed cable through the hole. Remove the protective film from the 3M tape. Push the serrated plug into the hole. Line up the lamp and press firmly. The lamp is held securely with the plug serrations and high quality 3M tape.

<b>Part No</b>	AL00242
<b>Model</b>	60BLMB
<b>Size</b>	60mm x 22mm x 22mm
<b>Voltage</b>	12 - 24V
<b>LED QTY</b>	4
<b>IP67</b>	100% Waterproof
<b>ECE Approved</b>	L-E9-00.1066



AL00200 - 70x40x42

TRAILER AND BODY EQUIPMENT / LIGHTS AND ELECTRICAL / LICENCE PLATE LAMPS / AL00200 - 70x40x42



Licence plate lamp.

Supplied in bulk pack. (Single light)

Note: Two required per licence plate for ADR compliance. Top or side mount.

<b>Part No</b>	AL00200
<b>Model</b>	41BLMBCSB
<b>Size</b>	70mm x 40mm x 42mm
<b>Voltage</b>	12 - 24
<b>Cable</b>	10cm with 2 pin CSB plug.
<b>LED QTY</b>	4
<b>IP67</b>	100% Waterproof
<b>ECE Approved</b>	L-E9-00.1222





Inactive



Active

## MARKER LAMPS AND INDICATORS

TRAILER AND BODY EQUIPMENT / LIGHTS AND ELECTRICAL / MARKER LAMPS AND INDICATORS



Aline Trading P/L stocks the range of lamps detailed in this section.  
 Other lamps are available to order.  
 The range of LED products can be viewed on [www.ledautolamps.com](http://www.ledautolamps.com)

## Marker Lamps - 58x35x21

TRAILER AND BODY EQUIPMENT / LIGHTS AND ELECTRICAL / MARKER LAMPS AND INDICATORS / Marker Lamps - 58x35x21



Aline Trading Pty Ltd stocks the popular 35 series marker lamps in Red/Amber - White - Red & Amber which are IP67 waterproof, shock resistant, Multivolt 12/24V and feature a hexagonal lens pattern and slimline design. Measuring just 58mm x 35mm x 21mm. Individual clip in lenses allow for easy surface mount with no visible screws.

Part No	Model	Description	Voltage
AL00208	35ARMB	Side Marker - Amber / Red	12V - 24V
AL00237	35RMB	Rear Outline Marker - Red	12V - 24V
AL00238	35WMB	Front Outline Marker - White	12V - 24V
AL00240	35AMB	Side Direction Marker - Amber	12V - 24V



ACTIVE.



### Side Marker Lamp - 135x38x22

TRAILER AND BODY EQUIPMENT / LIGHTS AND ELECTRICAL / MARKER LAMPS AND INDICATORS / Side Marker Lamp - 135x38x22



The 38ARMB Side Marker Lamp is a popular choice when upgrading from older style non LED lamps on caravans and trailers or where a larger lamp is required. They are ADR approved, IP67 waterproof, shock resistant, Multi-volt 12/24V and feature the added safety feature of an inbuilt reflex reflector.

Individual clip in lenses allow for easy surface mount with no visible screws.

<b>Part No</b>	AL00243
<b>Model</b>	38ARMB
<b>Size</b>	135mm x 38mm x 22mm
<b>Voltage</b>	12-24V



### Front Indicator and Marker- 175x50x24

TRAILER AND BODY EQUIPMENT / LIGHTS AND ELECTRICAL / MARKER LAMPS AND INDICATORS / Front Indicator and Marker- 175x50x24



The 175series Front Indicator / Marker Lamps are designed to retro fit an existing 4x4 bullbar.

They are IP67 waterproof and are ADR approved.

<b>Part No</b>	AL00236
<b>Model</b>	175AW2
<b>Size</b>	175mm x 50mm x 24mm
<b>Voltage</b>	12V
<b>LED Qty</b>	21/Indicator - 4/Marker
<b>IP67</b>	100% Waterproof.
<b>BASE</b>	ABS
<b>LENS</b>	Hardened Acrylic





## WORK LAMPS AND REVERSING LIGHTS

TRAILER AND BODY EQUIPMENT / LIGHTS AND ELECTRICAL / WORK LAMPS AND REVERSING LIGHTS



LED Auto lamps present a wide range of Flood, Work, Reversing, Interior and Hand Held lamps suitable for many applications. The extensive range of LED products can be viewed on [www.ledautolamps.com](http://www.ledautolamps.com)

Aline Trading P/L stock the range of lamps detailed in this section.

Other lamps are available to order.

### AL00226 - 102x128x45

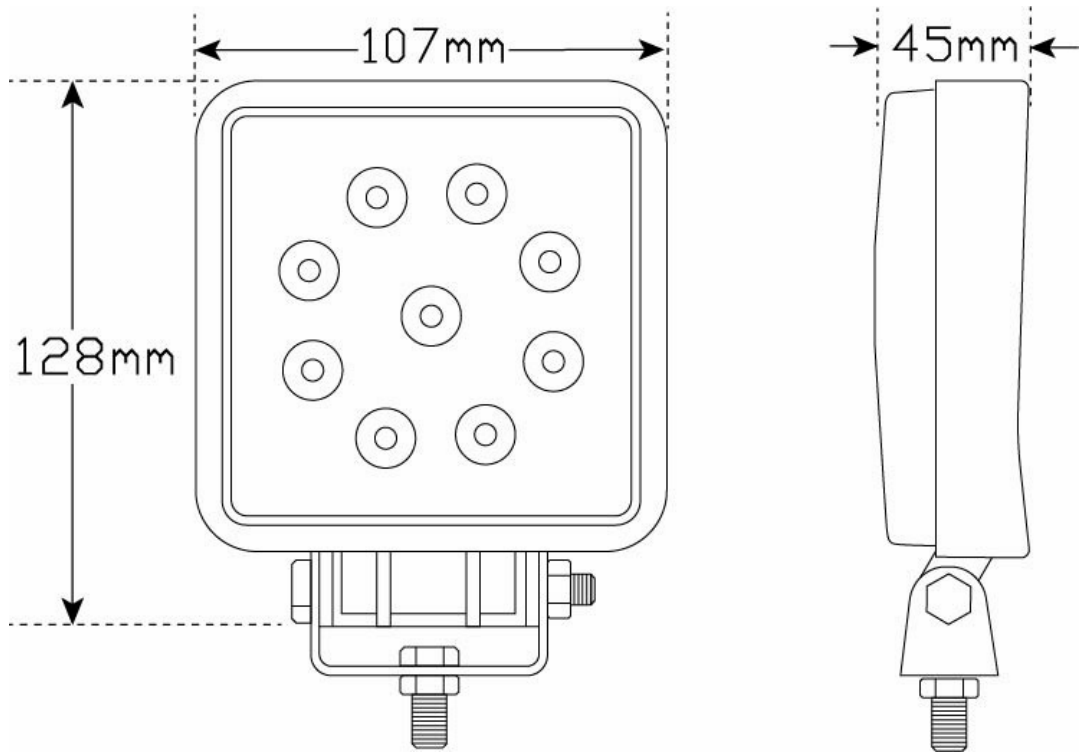
TRAILER AND BODY EQUIPMENT / LIGHTS AND ELECTRICAL / WORK LAMPS AND REVERSING LIGHTS / AL00226 - 102x128x45



Heavy Duty Flood Lamp with 9 x 3 Watt high brightness LED's.

<b>Part No</b>	AL00226
<b>Model</b>	FL1
<b>Size</b>	102 x 128 x 45
<b>Voltage</b>	9-32V
<b>LED Qty</b>	9 x 3Watt
<b>IP67</b>	100% Waterproof.
<b>Lumen</b>	Effective - 1080lm
<b>Body</b>	Aluminium
<b>Mount</b>	Stainless Steel
<b>Lens</b>	PMMA
<b>Draw @ 13.8V @ 28V</b>	1.1A 0.53A





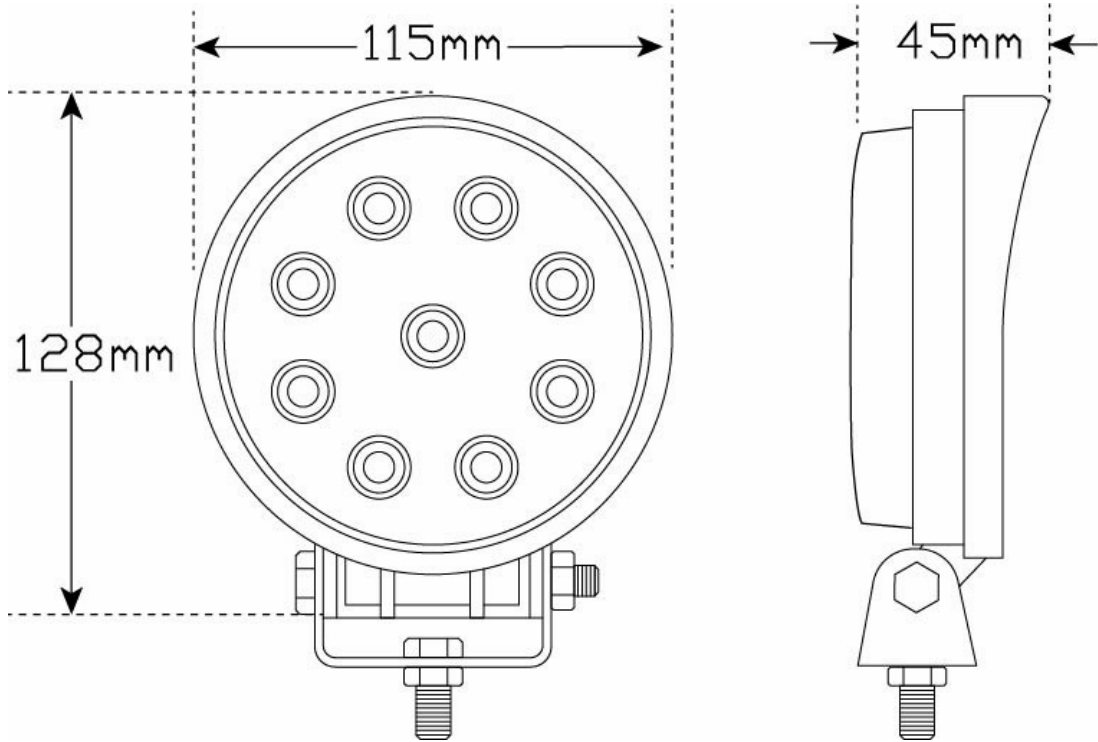
AL00216 - 115 Round x 45

TRAILER AND BODY EQUIPMENT / LIGHTS AND ELECTRICAL / WORK LAMPS AND REVERSING LIGHTS / AL00216 - 115 Round x 45



Heavy Duty Flood Lamp with 9 x 3 Watt high brightness LED's.

<b>Part No</b>	AL00216
<b>Model</b>	FL2
<b>Size</b>	115mm x 45mm
<b>Voltage</b>	9-32V
<b>LED Qty</b>	9 x 3Watt
<b>IP67</b>	100% Waterproof.
<b>Lumen</b>	Effective - 1080lm
<b>Body</b>	Aluminium
<b>Mount</b>	Stainless Steel
<b>Lens</b>	PMMA
<b>Draw @13.8V @28V</b>	1.1A 0.53A



AL00271 - 73x73x30

TRAILER AND BODY EQUIPMENT / LIGHTS AND ELECTRICAL / WORK LAMPS AND REVERSING LIGHTS / AL00271 - 73x73x30



The 7312BM lamp is a strong compact ECE approved Reverse / Mini Flood lamp.

<b>Part No</b>	AL00271
<b>Model</b>	7312BM
<b>Size</b>	73mm x 73mm x 30mm
<b>Voltage</b>	12-24V
<b>LED Qty</b>	4 x 3Watt
<b>IP67</b>	100% Waterproof.
<b>Lumen</b>	Effective - 489lm
<b>Body</b>	Aluminium
<b>Mount</b>	Stainless Steel
<b>Lens</b>	PMMA
<b>Draw @13.8V @28V</b>	.59A 0.27A



#### AL00245 - 75 round x 30

TRAILER AND BODY EQUIPMENT / LIGHTS AND ELECTRICAL / WORK LAMPS AND REVERSING LIGHTS / AL00245 - 75 round x 30



The 7512BM lamp is a strong compact ECE approved Reverse / Mini Flood lamp.

<b>Part No</b>	AL00245
<b>Model</b>	7512BM
<b>Size</b>	75mm x 30mm
<b>Voltage</b>	12-24V
<b>LED Qty</b>	4 x 3Watt
<b>IP67</b>	100% Waterproof.
<b>Lumen</b>	Effective - 489lm
<b>Body</b>	Aluminium
<b>Mount</b>	Stainless Steel
<b>Lens</b>	PMMA
<b>Draw @13.8V @28V</b>	.59A 0.27A



AL00262 - 130x40x43

TRAILER AND BODY EQUIPMENT / LIGHTS AND ELECTRICAL / WORK LAMPS AND REVERSING LIGHTS / AL00262 - 130x40x43



The 13040BM lamp is a strong compact Mini Flood lamp.

<b>Part No</b>	AL00262
<b>Model</b>	13040BM
<b>Size</b>	130mm x 40mm x 43mm
<b>Voltage</b>	9-30V
<b>LED Qty</b>	4 x 3Watt
<b>IP67</b>	100% Waterproof.
<b>Lumen</b>	Effective - 480lm
<b>Body</b>	Aluminium
<b>Mount</b>	Stainless Steel
<b>Lens</b>	PMMA
<b>Draw @ 13.8V @28V</b>	.59A 0.27A



AL00270 - 100x100x5

TRAILER AND BODY EQUIPMENT / LIGHTS AND ELECTRICAL / WORK LAMPS AND REVERSING LIGHTS / AL00270 - 100x100x5



The 73120BM lamp is a strong compact ECE approved Reverse / Mini Flood lamp.

Its recessed design makes them ideal for mounting in head boards, rear of Ute trays or rear of Ute back tool boxes as a flood light.

<b>Part No</b>	AL00270
<b>Model</b>	73120BM
<b>Size</b>	100mm x 100mm x 5mm
<b>Voltage</b>	12-24V
<b>LED Qty</b>	4 x 3Watt
<b>IP67</b>	100% Waterproof.
<b>Lumen</b>	Effective - 489lm
<b>Body</b>	Aluminium
<b>Mount</b>	Stainless Steel
<b>Lens</b>	PMMA
<b>Draw @ 13.8V @28V</b>	.59A 0.27A



AL00278 - 109x110x70

TRAILER AND BODY EQUIPMENT / LIGHTS AND ELECTRICAL / WORK LAMPS AND REVERSING LIGHTS / AL00278 - 109x110x70



The FL48W is a Heavy Duty, High Powered Flood / Work lamp ideal for agricultural and industrial applications.

<b>Part No</b>	AL00278
<b>Model</b>	FL48W
<b>Size</b>	109 x 110 x 70
<b>Voltage</b>	10-30V
<b>LED Qty</b>	16 x 3Watt
<b>IP67</b>	100% Waterproof.
<b>Lumen</b>	Effective - 3300lm
<b>Body</b>	Aluminium
<b>Mount</b>	Stainless Steel
<b>Lens</b>	PMMA
<b>Draw @13.8V</b>	2.65A
<b>Draw @28V</b>	1.36A



AL00192 - 190mm

TRAILER AND BODY EQUIPMENT / LIGHTS AND ELECTRICAL / WORK LAMPS AND REVERSING LIGHTS / AL00192 - 190mm



The double row combo bars offer a more even flood pattern which makes them perfect for work lighting in agricultural and industrial applications.

High power 3W LED's produce 100+ lumen per watt and when paired with the 94% efficient patented hybrid reflector lens they give more light from less power and a longer life. Usually over 30,000 hours.

A custom molded rubber seal offers a waterproof enclosure.

<b>Part No</b>	AL00192
<b>Model</b>	CP1
<b>Size</b>	190x86.5x78.5
<b>Voltage</b>	12V
<b>LED Qty</b>	12x3W
<b>Body</b>	Aluminium
<b>Mount</b>	Aluminium
<b>Lens</b>	Polycarbonate
<b>Draw @12V</b>	2.2A
<b>Draw @24V</b>	1.2A
<b>Beam</b>	Flood 60 degree Spot 12 degree



### AL00193 - 343mm

TRAILER AND BODY EQUIPMENT / LIGHTS AND ELECTRICAL / WORK LAMPS AND REVERSING LIGHTS / AL00193 - 343mm



The double row combo bars offer a more even flood pattern which makes them perfect for work lighting in agricultural and industrial applications.

High power 3W LED™s produce 100+ lumen per watt and when paired with the 94% efficient patented hybrid reflector lens they give more light from less power and a longer life. Usually over 30,000 hours.

A custom molded rubber seal offers a waterproof enclosure.

<b>Part No</b>	AL00193
<b>Model</b>	CP2
<b>Size</b>	343x86.5x78.5
<b>Voltage</b>	12V
<b>LED Qty</b>	24x3W
<b>Body</b>	Aluminium
<b>Mount</b>	Aluminium
<b>Lens</b>	Polycarbonate
<b>Draw @12V</b>	4.2A
<b>Draw @24V</b>	2.2A
<b>Beam</b>	Flood 60 degree Spot 12 degree



### AL00194 - 546mm

TRAILER AND BODY EQUIPMENT / LIGHTS AND ELECTRICAL / WORK LAMPS AND REVERSING LIGHTS / AL00194 - 546mm



The double row combo bars offer a more even flood pattern which makes them perfect for work lighting in agricultural and industrial applications.

High power 3W LED™s produce 100+ lumen per watt and when paired with the 94% efficient patented hybrid reflector lens they give more light from less power and a longer life. Usually over 30,000 hours.

A custom molded rubber seal offers a waterproof enclosure.

<b>Part No</b>	AL00194
<b>Model</b>	CP3
<b>Size</b>	546x86.5x78.5
<b>Voltage</b>	12V
<b>LED Qty</b>	40x3W
<b>Body</b>	Aluminium
<b>Mount</b>	Aluminium
<b>Lens</b>	Polycarbonate
<b>Draw @ 12V @ 24V</b>	8.2A 4.1A
<b>Beam</b>	Flood 60 degree Spot 12 degree



### AL00186 - 160x45

TRAILER AND BODY EQUIPMENT / LIGHTS AND ELECTRICAL / WORK LAMPS AND REVERSING LIGHTS / AL00186 - 160x45



A strong and compact flood/work light.

<b>Part No</b>	AL00186
<b>Model</b>	14150
<b>Size</b>	159.8x63x47.5
<b>Voltage</b>	10-30V
<b>LED Qty</b>	6 x 3W
<b>Lumen</b>	1440
<b>Body</b>	Aluminium
<b>Mount</b>	Aluminium
<b>Lens</b>	Polycarbonate
<b>Draw @ 12V @ 24V</b>	1.4A 0.7A
<b>Beam</b>	Flood



### BEACON LAMPS

TRAILER AND BODY EQUIPMENT / LIGHTS AND ELECTRICAL / BEACON LAMPS





AL00232 - 130 x 97

TRAILER AND BODY EQUIPMENT / LIGHTS AND ELECTRICAL / BEACON LAMPS / AL00232 - 130 x 97



LED Hazard / Warning Strobe Beacon.

<b>Part No</b>	AL00232
<b>Model</b>	128AMF
<b>Dimensions</b>	130mm Round x 97mm High
<b>Mount</b>	Fixed Base
<b>Voltage</b>	11-48V
<b>Led Qty / Flash</b>	1 x GNEII Super LED. 60-70 tripple/min
<b>Certification</b>	SAE Beacon cat SAE J845 Class 2
<b>Lens</b>	Polycarbonate
<b>Peak Draw</b>	@ 13.8V = 3.9A @ 28V = .19A



AL00246 - 130 x 53

TRAILER AND BODY EQUIPMENT / LIGHTS AND ELECTRICAL / BEACON LAMPS / AL00246 - 130 x 53



LED Beacon. Rotating pattern.

<b>Part No</b>	AL00246
<b>Model</b>	LRB130
<b>Dimensions</b>	130mm Round x 53mm High
<b>Mount</b>	Fixed Base
<b>Voltage</b>	10-30V
<b>Flash Rate</b>	150 RPM
<b>Certification</b>	SAE J845 Class 3
<b>Lens</b>	Polycarbonate
<b>Peak Draw</b>	@ 13.8V = 0.11A @ 28V = 0.07A



AL00253 - 144 x 96

TRAILER AND BODY EQUIPMENT / LIGHTS AND ELECTRICAL / BEACON LAMPS / AL00253 - 144 x 96



LED Beacon. Rotating pattern.

<b>Part No</b>	AL00253
<b>Model</b>	LRB145
<b>Dimensions</b>	144mm Round x 96mm High
<b>Mount</b>	Fixed Base
<b>Voltage</b>	10-30V
<b>Flash Rate</b>	188 RPM
<b>Certification</b>	SAE J845 Class 2
<b>Lens</b>	Polycarbonate
<b>Peak Draw</b>	@ 13.8V = 0.45A @ 28V = 0.22A



AL00263 - Portable - 130 x 90

TRAILER AND BODY EQUIPMENT / LIGHTS AND ELECTRICAL / BEACON LAMPS / AL00263 - Portable - 130 x 90



LED Strobe Beacon with Magnetic Base.

<b>Part No</b>	AL00263
<b>Model</b>	128AMM
<b>Dimensions</b>	130mm Round x 92mm High
<b>Mount</b>	Magnetic Base - Portable.
<b>Voltage</b>	11-48V
<b>Flash Rate</b>	82-92 FPM
<b>Certification</b>	SAE J845 Class 2
<b>Lens</b>	Polycarbonate
<b>Peak Draw</b>	@ 13.8V = 0.39A @ 28V = 0.19A



#### AL00280 - OVER SIZE APPROVED - 144 x 91

TRAILER AND BODY EQUIPMENT / LIGHTS AND ELECTRICAL / BEACON LAMPS / AL00280 - OVER SIZE APPROVED - 144 x 91



HEAVY VEHICLE OVER SIZE AND OVER WEIGHT APPROVED.

Aline Trading P/L present an Australian First, Strobe / Override Rotating Beacon designed for the Mining and Transport Industry.

Its Heavy Duty construction with alloy base, Polycarbonate lens, no moving parts and very low power consumption make it the perfect replacement for the old motor driven revolving lights used in the oversize transport market.

This heavy duty Beacon has an SAE/J845 Class 1 rotating light and SAE/J845 Class 2 strobe combined in the one light. Just flick a switch to switch between the 2 functions. Multiple units can be synchronised.

<b>Part No</b>	AL00280
<b>Model</b>	145ASRM
<b>Function</b>	Rotate/Strobe
<b>LED's</b>	12x3 Watt SMD LED's
<b>Watts</b>	36 Watts
<b>Draw</b>	@ 13.8V Rotate/.46A Strobe .70A @ 28V Rotate/.23A Strobe/.46A
<b>Pattern</b>	130RPM Rotate, 90FPM Strobe.
<b>Voltage</b>	11-32V
<b>Size</b>	144mm Round x 91mm
<b>Base</b>	Aluminium
<b>Lens</b>	Polycarbonate
<b>IP67</b>	100% Waterproof/Dust Proof



## REFLECTORS

TRAILER AND BODY EQUIPMENT / LIGHTS AND ELECTRICAL / REFLECTORS



A range of quality ADR / ECE approved reflex reflectors are available.  
 The 70 x 30 x 6 self-adhesive being the most popular.  
 The 90 x 20 x 6 self-adhesive amber is a popular choice for tight locations.

### 70 x 30 x 6 Adhesive

TRAILER AND BODY EQUIPMENT / LIGHTS AND ELECTRICAL / REFLECTORS / 70 x 30 x 6 Adhesive



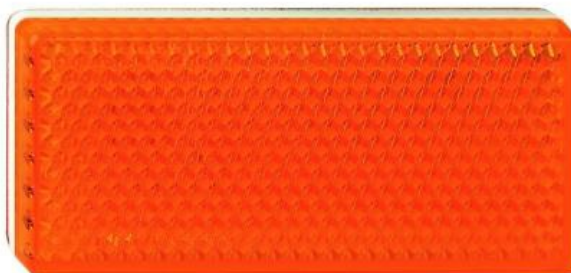
ADR compliant reflector 47/00 for both horizontal and vertical mount. Highest quality adhesive tape used for secure and lasting application.  
 Please refer to ADR 13/00 for correct mounting instructions.

Part Number	Description	CRN
AL00222	Red	38 102
AL00223	Amber	38 101
AL00224	White	38 103

AL00222 - Red



AL00223 - Amber



AL00224 - White



90 x 20 X 6 Adhesive

TRAILER AND BODY EQUIPMENT / LIGHTS AND ELECTRICAL / REFLECTORS / 90 x 20 X 6 Adhesive



ECE compliant reflector 1A-E9-02.133. Thin profile suits edge mount / limited space. Highest quality adhesive tape used for secure and lasting application.

Please refer to ADR 13/00 for correct mounting instructions.

Part No	Description
AL00279	Amber



60 Diameter x 6.5mm - Screw Mount

TRAILER AND BODY EQUIPMENT / LIGHTS AND ELECTRICAL / REFLECTORS / 60 Diameter x 6.5mm - Screw Mount



The 66 series screw mount reflex reflectors are a premium quality ECE approved model featuring a low profile design and 5 year warranty.

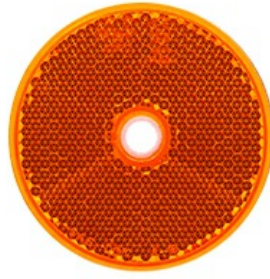
Please refer to ADR 13/00 for correct mounting instructions.

Part Number	Description	ECE Approved.
AL00187	Red	IA-E9-02.0241
AL00188	Amber	IA-E9-02.0241
AL00189	White	IA-E9-02.0241

AL00187 - Red



AL00188 - Amber



AL00189 - White



## LOAD RESISTORS

TRAILER AND BODY EQUIPMENT / LIGHTS AND ELECTRICAL / LOAD RESISTORS



Dummy load resistors are designed to draw the same current as a 21 watt globe and can be used on vehicles that have electronic components that are not LED compatible. You may require up to 1 resistor per function on each side.

Note: The resistor can reach 170 deg C and must be mounted to a metal surface.

<b>Part No</b>	AL00205
<b>Model</b>	LR12/2
<b>Packaging</b>	Blister of 2
<b>Voltage</b>	12V only
<b>Resistance</b>	6 Ohms



## BRAKEAWAY UNITS AND CONTROLERS

TRAILER AND BODY EQUIPMENT / LIGHTS AND ELECTRICAL / BRAKEAWAY UNITS AND CONTROLERS



Aline trading Pty Ltd offer a range of quality brake controllers, brake away units and accessories to suit our range of braked trailer axles.

Note: Installation of these units should be performed by a qualified automotive electrician to ensure proper operation and safety.



Brakesafe Brake away units are Australian designed, made and assembled to comply with Australian trailer regulations and to withstand Australian Conditions.

The new Breaksafe comes with all the features that you have come to expect in the previous Breaksafe models. The Breaksafe 6000 & Breaksafe 6000XP have the addition of many innovative new features including easy access to the battery compartment for servicing and fully enclosed internal circuit board case for better water resistance.

The Breaksafe Breakaway System has been designed to activate the electric brake system and brake lights on all caravans, travel trailers, trailers, horse floats and campers in the event of an accidental separation (e.g. Breakaway).

Breaksafe will not only apply the electric brakes and the brake lights of the trailer, but will keep them applied for around 20 minutes, enabling you to secure your trailer when it has come to a stop.

Breaksafe has its own power supply, which charges via an auxiliary line while driving, or it can be charged externally with a battery charger. It also has a battery condition indicator, allowing you to tell the condition of the battery, with the push of a button.

Each Breaksafe kit comes complete with battery, coil cable breakaway switch and all mounting hardware, as well as full installation instructions.

Suits caravans, trailers & horse floats

Suits all electric brakes

Compact and easy to install

Enclosed & sealed lead acid battery

Recharges off car battery

Manual test circuit

Battery charge indicator

Part No	Description.
AL03055	Brake away unit. Brakesafe 6000. 2 - 4 wheels.
AL03169	Brake away unit. Brakesafe 6000XP. 4-6 wheels.
AL03541	Brakesafe remote battery monitor. NSW regulations.
AL03438	Brakesafe Brake away switch & coil cable.
AL00010	Brakesafe Brake away coil cable & clip only.



AL03541

The BREAKSAFE RM6000 Remote Battery Monitor is fitted inside the tow vehicle and operates each time the brake pedal is pressed. The additional circuitry in the BREAKSAFE 5000 and 6000 disconnects the Breaksafe battery from the charge circuit and then connects the battery to the Remote Monitor. A small electronic load inside the Remote Monitor then pulls the battery terminal voltage down. The micro-processor inside the Remote Monitor measures what the voltage drops to over a preset time to determine the charge state of the Breaksafe battery. Should the Breaksafe battery be fully charged, a green light will illuminate on the front panel of the RM6000 Remote Monitor. If the battery is below the safe level, a red light will flash and a buzzer will sound for about 10 seconds.

The RM6000 Remote Battery Monitor can only be used in conjunction with a Breaksafe 5000 or 6000 breakaway kit. It will not work correctly when connected to any other breakaway system.

SIZE 64mm x 50mm x 122mm



AL03438

The Breaksafe breakaway switch now comes with the new Coil Cable and stainless steel quick release clip for easy connection to the tow vehicle. This also makes the connection to the tow vehicle much tidier. No more wrapping the wire up to stop it dragging on the ground. The new Coil Cable stretches to 1.2 metres for connection to the tow vehicle and then compresses back to only 100mm long when disconnected.

Breaksafe breakaway switch features:

New Coil Cable

Stainless steel quick release clip.

Stainless steel mounting bracket.



AL00010

FOR BREAKSAFE BREAKAWAY SWITCHES ONLY

Breakaway Coil Cable and stainless steel quick release clip for easy connection to the tow vehicle. This also makes the connection to the tow vehicle much tidier. No more wrapping the wire up to stop it dragging on the ground. The new Coil Cable stretches to 1.2 metres for connection to the tow vehicle and then compresses back to only 100mm long when disconnected.

The new coil cable comes with the cable, stainless steel quick release clip and pin to suit Breaksafe breakaway switch.



### Brake Controller - Trailer Mounted

TRAILER AND BODY EQUIPMENT / LIGHTS AND ELECTRICAL / BRAKEAWAY UNITS AND CONTROLERS / Brake Controller - Trailer Mounted



The AL03354, Australian Designed Trailer Mount Brake Controller is designed to provide electronic braking control for one braked axle on small box trailers & camper trailers less than 2000kg. (Ideally 750kg â€“ 1600kg)

They are fully sealed to protect against moisture ingress and are fully adjustable for braking pressure / loads.

Their compact design allows for easy installation in most positions and the light weight robust aluminium heat sink body make them reliable even on the roughest roads.

Part No	AL03354
Model	XLE12T





## Brake Controller - Elecbrake Wireless

TRAILER AND BODY EQUIPMENT / LIGHTS AND ELECTRICAL / BRAKEAWAY UNITS AND CONTROLLERS / Brake Controller - Elecbrake Wireless



### Introducing Australia's™ first Bluetooth Electric Brake Controller.

Elecbrakes is an Australian Manufactured, Designed and Invented Bluetooth electric brake controller that allows a trailer to comply with ADR38/03 and VSB1\* ensuring you can tow your trailer with a suitable tow vehicle easily, safely and legally in all States and Territories of Australia.

The unit operates with 12V or 24V tow vehicles and comes with a 2 year warranty.

\*To comply with ADR38/03 and VSB1 the smart Phone App must have Bluetooth connection with the controller; the smart phone MUST be securely mounted within the drivers reach and connected to a power source.

Note: A wireless remote control unit is now available as an alternative to using a smart phone. Part No AL03548.

**The Elecbrakes system is designed to be installed on a trailer and does not require any modification to the tow vehicle.**

Elecbrakes wireless electronic brake controller is revolutionising the towing process by eliminating the need for modification to your tow vehicle. Designed and assembled in Australia, this simple-to-use brake controller can be fitted to any trailer. It is controlled through Bluetooth and can be synced to any smart phone device.

The smart Phone App has been developed as a driving aid and requires minimal input from the driver to set the brake system to the driving conditions.

The Elecbrake App provides the user with the ability to monitor, configure programs and control brake response from the Tow Vehicle. The Elecbrake App also provides live data and historical information that can assist in defining service intervals for trailer maintenance.

The App allows firmware to be pushed to the controller ensuring you always have the most up to date trailer brake system on the market.

â€¢Elecbrakes employs a high-speed microprocessor and various sensors which continuously sample various operating parameters at over 1000 times per second. For communication, the device uses the widely adopted Bluetooth 4.0 standard, and the hardware selections yield a Bluetooth device that has long range capability ensuring high connection reliability and no dropouts under typical operating conditions. This ensures the device can be mounted anywhere on the trailers draw bar.

Elecbrakes is powered via the Tail Lights, a second input is provided if the user prefers an Auxiliary power source. And the system has been designed to continue operating even if the Bluetooth signal is interrupted or lost.

â€¢The Elecbrake Controller has been designed for Australian Conditions.

Housed in Tough fibre reinforced housing and fully encased in urethane, ensuring the electronics are fully protected from water, dust and vibration.

When fitted to trailers greater than 2000Kg GTM the brake system must also be fitted with a compliant emergency brake controller. (Break away unit)

Part Number	Description
AL03533	Elecbrake. Bluetooth Electric Brake Controller.
AL03548	Elecbrake optional wireless remote.
AL03557	Trailer Wired Leader cable.
AL03551	Plug n Play lead. 12pin - 12pin flat.
AL03552	Plug n Play lead. 7pin - 7 pin flat

ELBC2000 Specifications			
Parameter	Min	Max	Units
Supply Voltage	10	32	Volts
Output Load *	.75	-	Ohms
Output Current **	0	16	Amps
Output Voltage	0	12	Volts RMS
Radio Freq	2.4	GHz	
Range	>30	Mtrs	
Operating Temp	-20	+85	Celsius
Water Submersion 1mtr	>24	Hours	

\* 4 x3.0 Ohm brake magnets wired in parallel  
 \*\* Controller intelligently shares load with multiple supply circuits



Optional Plug & Play Pach leads.



AL03548 - Optional wireless remote.



## PLUGS - SOCKETS - ADAPTORS - WIRE

TRAILER AND BODY EQUIPMENT / LIGHTS AND ELECTRICAL / PLUGS - SOCKETS - ADAPTORS - WIRE



## TRAILER PLUGS

TRAILER AND BODY EQUIPMENT / LIGHTS AND ELECTRICAL / PLUGS - SOCKETS - ADAPTORS - WIRE / TRAILER PLUGS



Standard plugs to suit your trailer.

Part No	Style	Material
AL03447	Round 7 pin	Metal
AL03188	Round 7 pin	Plastic
AL03183	Flat 7 pin	Plastic
AL03434	Flat 12 pin	Plastic



## TRAILER SOCKETS

TRAILER AND BODY EQUIPMENT / LIGHTS AND ELECTRICAL / PLUGS - SOCKETS - ADAPTORS - WIRE / TRAILER SOCKETS



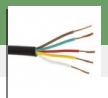
Flat or round sockets.

Part No	Description
AL03461	Round 7 pin plastic.
AL01840	Round 7 pin metal.
AL03462	Flat 7 pin plastic.
AL01841	Flat 12 pin plastic.



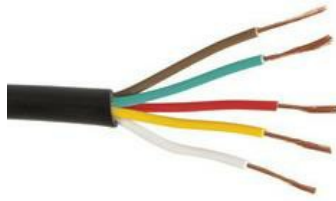
## WIRE

TRAILER AND BODY EQUIPMENT / LIGHTS AND ELECTRICAL / PLUGS - SOCKETS - ADAPTORS - WIRE / WIRE



Standard weight trailer wire available in either 5 or 7 core.

Part No	Core's	Size	Length
AL00195	2	2mm	50m Roll
AL00196	2	2mm	Metre
AL00044	2	4mm	Metre
AL00197	2	4mm	30m Roll
AL00033	5	2.5mm	Metre
AL00036	5	2.5mm	30m Roll
AL00034	5	3.0mm	Metre
AL00059	5	3.0mm	100m Roll
AL00160	7	3.0mm	Metre
AL03433	7	3.0mm	100m Roll



## PLUG ADAPTORS

TRAILER AND BODY EQUIPMENT / LIGHTS AND ELECTRICAL / PLUGS - SOCKETS - ADAPTORS - WIRE / PLUG ADAPTORS



PART No	DESCRIPTION
AL03456	Round female to flat male
AL03458	Round male to flat female

AL3458 Shown below.



## OVERSIZE LOAD SAFETY EQUIPMENT

TRAILER AND BODY EQUIPMENT / OVERSIZE LOAD SAFETY EQUIPMENT

OVERSIZE

Aline Trading Pty Ltd present a range of safety equipment designed for use in the transportation of oversize loads.

## OVERSIZE SIGNS

TRAILER AND BODY EQUIPMENT / OVERSIZE LOAD SAFETY EQUIPMENT / OVERSIZE SIGNS

OVERSIZE

### Oversize sign's

Part No AL03390

Metal sign complies with Australian Standards. 1200mm x 450mm

AL03485

Decal (sticker) complies with Australian standards. 1200mm x 450mm

Designed for effective identification of Trucks with Oversized Equipment On Board or oversized farm equipment like comb trailers, headers etc.



## SAFETY FLAGS

TRAILER AND BODY EQUIPMENT / OVERSIZE LOAD SAFETY EQUIPMENT / SAFETY FLAGS



### Oversize Load Safety Flags.

Heavy duty red and yellow design with or without timber pole .

A must when transporting oversized loads.

Complies with Australian standards.

Part No	Description
AL03391	Flag with pole.
AL03399	Flag only. No pole.



## FLASHING BEACON.

TRAILER AND BODY EQUIPMENT / OVERSIZE LOAD SAFETY EQUIPMENT / FLASHING BEACON.



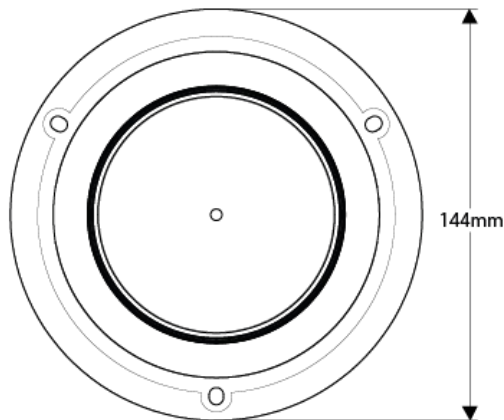
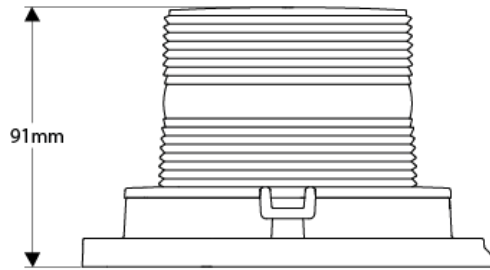
### HEAVY VEHICLE OVER SIZE AND OVER WEIGHT APPROVED.

Aline Trading P/L present an Australian First, Strobe / Override Rotating Beacon designed for the Mining and Transport Industry.

Its Heavy Duty construction with alloy base, Polycarbonate lens, no moving parts and very low power consumption make it the perfect replacement for the old motor driven revolving lights used in the oversize transport market.

This heavy duty Beacon has an SAE/J845 Class 1 rotating light and SAE/J845 Class 2 strobe combined in the one light. Just flick a switch to switch between the 2 functions. Multiple units can be synchronised.

Part No	AL00280
Model	145ASRM
Function	Rotate/Strobe
LED's	12x3 Watt SMD LED's
Watts	36 Watts
Draw	@13.8V Rotate/.46A Strobe .70A @28V Rotate/23A Strobe/.46A
Cable	30cm sheathed
Pattern	130RPM Rotate, 90FPM Strobe.
Voltage	11-32V
Size	144mm Round x 91mm
Base	Aluminium
Lens	Polycarbonate
IP67	100% Waterproof/Dust Proof



**DOCUMENT CANISTER**

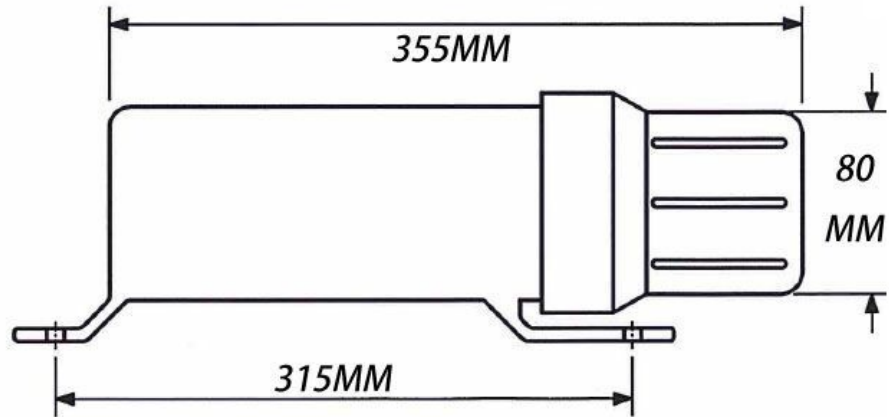
TRAILER AND BODY EQUIPMENT / OVERSIZE LOAD SAFETY EQUIPMENT / DOCUMENT CANISTER



**Document Storage Canister**

Suitable for storing safety data sheets or operating instructions on your equipment.

<b>Part Number</b>	AL03397
<b>O/A Length</b>	335mm
<b>Diameter</b>	80mm



## HAND BRAKE LEVERS

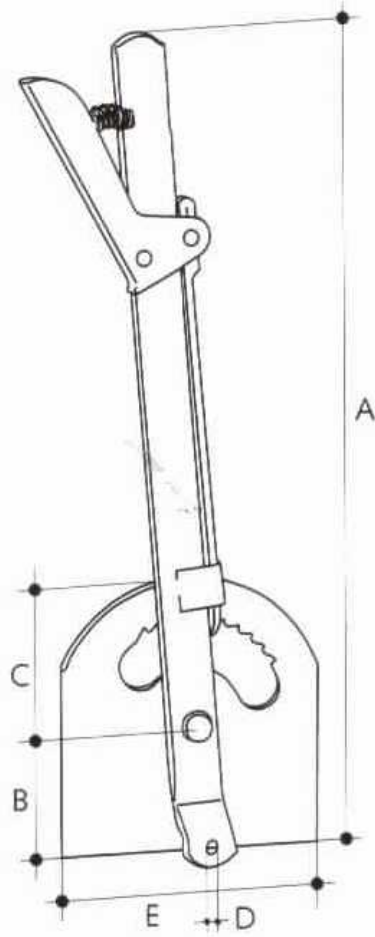
TRAILER AND BODY EQUIPMENT / HAND BRAKE LEVERS



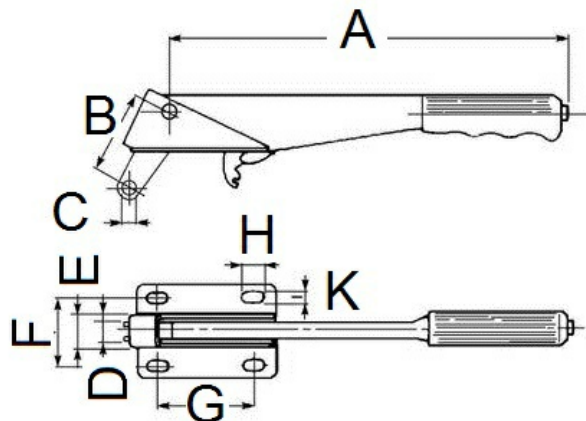
Aline Trading P/L has a selection of park brake levers designed for use on trailers and farm machinery. The lever is used to apply the brakes on either electric or mechanical braked axles when the trailer is in the parked position.

Steel Park Brake Lever	
Part No	AL02759
A	480 mm
B	80 mm
C	85 mm
D	8 mm
E	155 mm



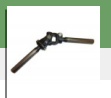


Soft Grip Park Brake Lever	
Part No	AL00827
A	296 mm
B	57.2 mm
C	8 mm
D	9 mm
E	20.5 mm
F	49 mm
G	69 mm
H	16.5 mm
K	9 mm



## TARP WINDER UNIVERSAL JOINTS

TRAILER AND BODY EQUIPMENT / TARP WINDER UNIVERSAL JOINTS



Aline Trading P/L presents a range of tarp winding universal joints for use on truck and agricultural trailers.

The universal joint connects the winding handle to the roll tarp shaft mounted on the side of the trailer body allowing the tarp to be wound over the load.

There are 6 standard versions offered by Aline Trading. Others sizes and end combinations assembled to order.

We also supply 13/8" Z21 splined shaft in 200mm lengths. Part Number AL01897. These can be used to connect the universal joint to the handle or roll shaft. Details below.

Part No	Bearing size	Yoke 1	Yoke 2
AL00938	T1 22 x 54	13/8" Z21 non int	13/8" Z21 non int
AL00939	T1 22 x 54	1" plain	1 3/8" Z21
AL01940	T1 22 x 54	1" plain	25mm plain
AL00941	T1 22 x 54	1" plain	1" plain
AL01942	T1 22 x 54	13/8" Z21 int	13/8" Z21int
AL02756	T1 22 x 54	13/8" Z21QR	13/8" Z21QR

AL00939 pictured below.



AL01897 13/8" splined shaft x 200mm.



The AL01338 is a small universal joint with shafts and is suitable for use on roll tarps and other applications. The shafts are connected to the yokes using a fine spline that allows for adjustment and clamp bolt.

Part Number AL01338	
Shaft diameter	21mm
Overall length	357mm
Bearing diameter	16mm
Width across yokes	43mm
Spare cross bearing	P/No AL01339



## TRAILER PARTS AND SPARES - OTHER

TRAILER AND BODY EQUIPMENT / TRAILER PARTS AND SPARES - OTHER



Aline Trading Pty Ltd have available a wide range of trailer related components and spare parts. The items listed in this section are some of the more commonly requested items. Many other items are available at request. Please contact us today to discuss your needs.

## WHEEL STUDS AND NUTS

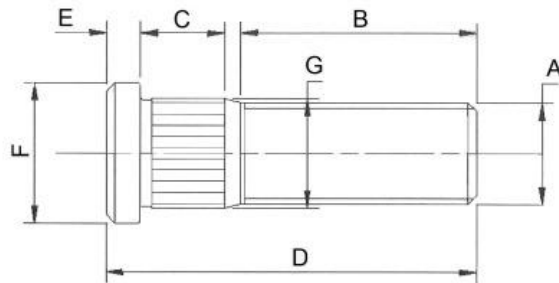
TRAILER AND BODY EQUIPMENT / TRAILER PARTS AND SPARES - OTHER / WHEEL STUDS AND NUTS



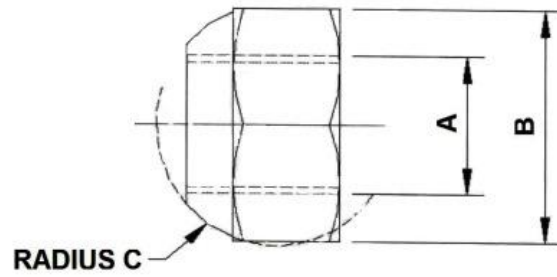
Aline Trading P/L stock a range of wheel studs and nuts suitable for both on-road and off-road applications. This range also includes studs, nuts and washers to suit imported FAD agricultural axles.



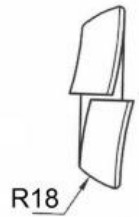
Metric Wheel Studs - Standard							
Part No	A	B	C	D	E	F	G
AL03264	M12 x 1.5	29	9	44	5	17.5	14
AL03543	M14 x 1.5	36	12	54	4	21.5	15.8
AL03039	M16 x 1.5	33	9	50	5	22	17.4
AL03018	M18 x 1.5	42	15	65	5.5	25	19.5
AL03202	M20 x 1.5	47	16	73	6	25	21.6
AL03024	M22 x 1.5	54	21	85	6	30	24.4
Metric Wheel Studs - FAD							
Part No	A	B	C	D	E	F	G
AL03022	M16 x 1.5	33	8	50	5	20	17.1
AL03050	M18 x 1.5	35	11	55	6	24	19.6
AL03066	M20 x 1.5	48	12	68	6	25	21.6
AL03045	M22 x 1.5	47	14	71	6	27	24.3
AL03261	M22 x 1.5	59	14	96	6	30	24.4
Imperial UNF Wheel Studs							
Part No	A	B	C	D	E	F	G
AL03071	7/16"	26	9	43	5.3	19	14
AL03204	1/2" STD	28	8	43.5	5.2	19.3	14
AL02601	1/2"	31	14.5	55.5	5.5	19.7	15.6
AL03070	1/2"	31	11	50	4.5	19	14
AL03179	1/2"	35	11	54.3	4.2	21.7	15.7
AL02043	9/16"	41	10	56	5	19.42	15.68
AL03087	9/16"	32	10	51	6.5	22.2	18.4
AL03048	5/8"	48	12	66	6.5	25.4	18.1
AL03075	3/4"	45	16	77	6.5	32	20.8
AL03026	7/8"	43	24	78	8	32	23.6



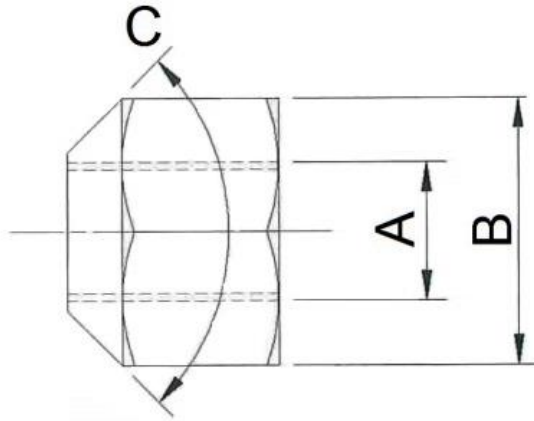
Metric wheel nuts - Standard			
Part No	A - Thread	B - A/F	C - Radius
AL03265	M12 x 1.5	19	60 Deg
AL03038	M16 x 1.5	27	R14
AL03153	M18 x 1.5	27	R16
AL03203	M20 x 1.5	32	R18
AL03145	M22 x 1.5	32	R18
Metric Wheel Nuts - FAD			
Part No	A - Thread	B - A/F	C - Radius
AL03023	M16 x 1.5	27	R14
AL03051	M18 x 1.5	24	R16
AL03067	M20 x 1.5	27	FLAT
AL03046	M22 x 1.5	30	FLAT



Spherical Washer - FAD	
AL03068	Suits FAD - M20 stud
AL03047	Suits FAD - M22 stud



Imperial UNF wheel nuts			
Part No	A	B - A/F	C - DEG
AL03072	7/16 UNF	3/4"	60
AL03069	1/2 UNF	13/16"	60
AL03542	9/16 UNF	1"	60
AL03088	9/16 UNF	1 1/16"	90
AL03049	5/8 UNF	15/16"	90
AL03076	3/4 UNF	15/16"	90
AL03027	7/8 UNF	1 5/16"	90



Chrome Hexagon Acorn Nuts					
Part No	A	B	C	Length O/A	
AL02044	7/16" UNF	21	60	35mm	
AL02045	1/2" UNF	21	60	39mm	
AL03191	M14 x 1.5	21	60	35mm	



## DUST CAPS

TRAILER AND BODY EQUIPMENT / TRAILER PARTS AND SPARES - OTHER / DUST CAPS

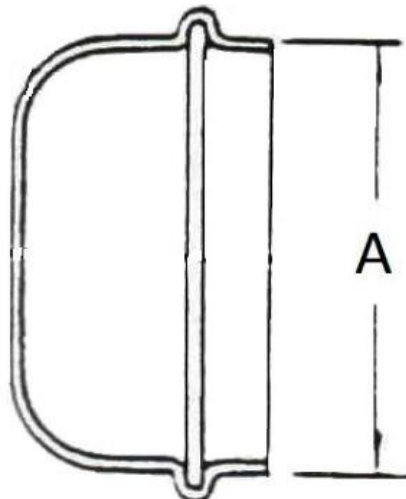


Aline Trading stock a wide range of replacement dust caps suitable for axles used in on- road and off-road, agricultural applications.

Knock in pressed metal caps are available in metric or imperial fitments.

Screw in pressed metal caps for agricultural axles in metric fitments.

We also have a selection of cast iron bolt on caps for heavy duty agricultural axles.



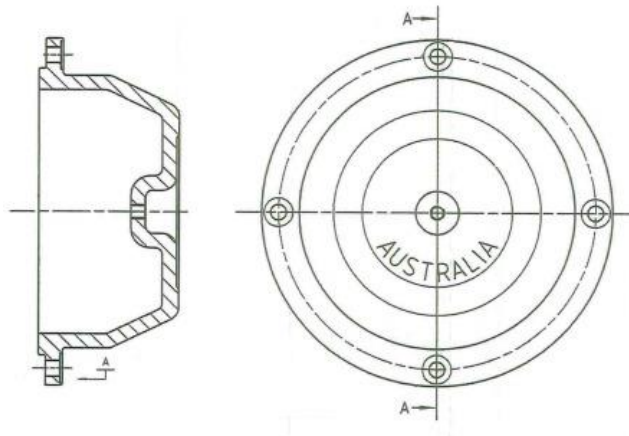
Knock in Dust Caps - Imperial	
Part No	Size - Dimension A
AL03147	1 3/4" - 44.45mm
AL03400	1 3/4" - 44.45mm BEARING BUDDIES - EA
AL03517	2" - 50.8 mm
AL03089	2 1/16" - 52.387 mm
AL03065	2 1/2" - 63.5mm
AL03335	2.441" (62mm) - DEXTER 12" Electric hub.
AL03263	2.72" - (69mm)
AL03334	3" - 76.2mm
Knock in Dust Caps - Metric	
PART No	Size - Dimension A
AL03257	59mm
AL03043	62mm
AL03019	80mm
AL03020	85mm
AL03042	90mm
AL03041	100mm
AL03044	110mm
AL03021	120mm



Screw In Dust Caps - Metric.		
Part No	Series	Thread
AL03560	50L	M53.5x1.5
AL03466	50	M63.5x1.5
AL03472	60 Old	M73.5x1.5
AL03559	60 New	M81.5x1.5
AL03478	70	M86.5x1.5
AL03478	80	M101.5x1.5



Bolt on Cast Iron dust caps.		
Part No	Series	No Screws
AL03350	H50/H50HD	3
AL03409	63	3
AL03410	75/80	3
AL03341	90/100	4
AL03411	110	6
AL03412	150	6



### U BOLTS - FISH PLATES - AXLE SADDLES

TRAILER AND BODY EQUIPMENT / TRAILER PARTS AND SPARES - OTHER / U BOLTS - FISH PLATES - AXLE SADDLES



The U bolts and fish plates listed below are designed to suit most common trailer axle and spring sets. U bolts are supplied with spring washers and nuts or Nyloc nuts depending on the size / design.

U Bolts - Round			
Part No	Axle Size	Length	Diameter
AL03313	39mm	115mm	1/2"
AL03291	39mm	125mm	1/2"
AL02815	39mm	137mm	1/2"
AL00047	45mm	113mm	1/2"
AL00062	50mm	140mm	1/2"
AL00073	60mm	150	1/2"
AL02813	65mm	165	5/8"



U Bolts - Square			
Part No	Axle Size	Length	Diameter
AL00048	40mm	113mm	1/2"
AL00016	40mm	125	1/2"
AL00049	40mm	137mm	1/2"
AL00022	45mm	113mm	1/2"
AL03143	45mm	125mm	1/2"
AL00045	45mm	140mm	1/2"
AL02814	45mm	150mm	5/8"
AL00021	50mm	113mm	1/2"
AL00017	50mm	125mm	1/2"
AL02816	50mm	137mm	1/2"
AL02811	50mm	177mm	5/8"
AL02812	63mm	177mm	5/8" HT



Fish Plates		
Part No	Spring Width	U Bolt Size
AL03142	45-60mm	39mm - 50mm x 1/2" Universal fitment.
AL03208	45mm	60mm x 1/2" Round.
AL03141	60mm	45mm x 1/2"
AL03292	60mm	50mm x 1/2"
AL02810	60mm	45 - 50mm x 5/8" Universal Fitment.
AL03416	60mm	63 - 65mm x 5/8"



Axle Saddle Plate - Universal fit.	
Part No	Description
AL03295	40 X 8 X 48 - 17mm HOLE



## SPRING PACKS AND SPARE PARTS

TRAILER AND BODY EQUIPMENT / TRAILER PARTS AND SPARES - OTHER / SPRING PACKS AND SPARE PARTS



Aline Trading Pty Ltd stock a range of spring packs and associated parts for maintaining your trailer suspension.

Note: For complete suspension kits please refer to the trailer spring kits section.

SPRINGS					
Part No	Style	Width	Length	Leaves	Capacity
AL00011	Eye - Eye	45mm	705mm	6	400 kg
AL00012				7	500 kg
AL00066	Slipper	45mm	762	3	280 kg
AL00067				4	370 kg
AL00068				5	460 kg
AL00069				6	550 kg
AL00070				7	650 kg
AL00009				9	830 kg
AL00071				Slipper	60mm
AL00072	6	700 kg			
AL00061	7	785 kg			
AL00063	Eye-Eye	60mm	685mm	5	640 kg
AL00064				6	760 kg
AL00065				7	890 kg
AL01137	Roller Rocker	60mm	695mm Centred	7	750 kg
AL01138				8	1000 kg
AL01139				9	1250 kg



SPRING HANGERS		
Part No	Description	Fits
AL03304	Rear Hanger	45mm Eye-Slipper
AL03303	Front Hanger	45mm Eye-Slipper
AL03305	Front Hanger - Deep	45mm Eye-Slipper Tandem
AL03302	Front Hanger	60mm Eye-Slipper
AL03306	Front Hanger - Deep	60mm Eye-Eye Tandem
AL03307	Rear Hanger	60mm Eye Slipper
AL03293	Rear Hanger-Dead Eye	60mm Eye-Eye
AL03297	Centre Hanger 2pce	60mm Tandem Rocker
AL00053	Front/Rear Hanger	60mm Roller Rocker Tandem
AL00054	Centre Hanger	60mm Roller Rocker Tandem



ROCKER ARMS		
Part No	Description	Fits
AL03296	Fabricated	60mm Rocker Tandem
AL03413	Cast Beam	60mm Roller Rocker Tandem
AL03294	Steel Roller	60mm Roller Rocker Tandem



SHACKLE PLATES	
Part No	Description
AL00039	Suits 1/2" bolts. Centres = 63mm
AL00040	Suits 5/8" bolts. Centres = 78mm



SHACKLE BOLTS	
Part No	Description
AL00041	Bolt & Nut 4" x 5/8" Greaser. Suits 60mm springs.
AL00056	Bolt & Nut 4 1/2" x 5/8" Non greased. Suits 60mm springs
AL00055	Bolt & Nut 3 1/2" x 1/2" Non greased. Suits 45mm springs
AL00038	Bolt & Nut 3 1/4" x 3/4" Greaser for rocker roller centre bracket.



SPRING BUSHES - NYLON	
Part No	Description
AL00058	1/2" x 1 3/4" suits 45mm springs.
AL00130	9/16" x 1 3/4" suits 45mm springs.
AL00057	5/8" x 2 1/4" suits 60mm springs.





Aline Trading Pty Ltd, stock the following un-braked hub kits and stub axles.

Other versions including braked hubs are available to order.

Aline Trading Pty Ltd can also supply complete brake upgrade kits to suit your existing axles. Available, in Hydraulic Drum, Electric Drum, Mechanical Drum, Hydraulic Disc or Mechanical Disc. Each kit includes: 2 x Braked hubs with NSK bearings, seals, studs, nuts, mounting plates and bolts.

Please contact us today with your enquiry.

<b>Hub Kits.</b>					
Hub, bearings, seal, studs, nuts. Studs and cups are fitted.					
<b>Part No</b>	<b>P.C.D - mm</b>	<b>Stud</b>	<b>Fitment</b>	<b>Flange mm</b>	<b>Bearing</b>
AL03209	4/101.2	1/2"	Mini	140	LM
AL03210	5/107.95	7/16"	HT	140	LM
AL03211	5/114.3	1/2"	Ford	140	LM
AL03205	5/120	1/2"	Commodore	150	LM
AL03208	5/120.65	7/16"	HQ	150	LM
AL03407	5/107.95	7/16"	HT	150	LM
AL03311	4/100	7/16"	BMW - Gemini	150	LM
AL03206	5/114.3	1/2"	Ford	150	LM
AL03258	6/139.7	1/2"	Landcruiser	190	LM
AL03403	5/120	1/2"	Commodore	150	SL
AL03404	5/120.65	7/16"	HQ	150	SL
AL03207	5/114.3	1/2"	Ford	150	SL
AL03197	6/139.7	1/2"	Landcruiser	190	SL
AL00118	5/165	9/16"	Land Rover	190	SL
AL03520	6/139.7	1/2"	Landcruiser	216	Parallel
AL03402	6/139.7	1/2"	Landcruiser	190	2 Ton A511
AL03558	6/139.7	1/2"	Landcruiser	190	2 Ton Std
AL02717	6/139.7	1/2"	Landcruiser	230	3 Ton

Bearing Note.

LM = Standard Holden bearings. LM11910/49 & LM37010/48

SL = Slimline. Standard Ford bearings. 68149/10 & 12749/10

Parallel = 2 x 68149/10 bearings.

2 Ton A511 = LM67010/48 & 25520/80 - (Old model A511.)

2 Ton = 25580/20 & 15123/15245. (Standard Dexter 2T)

3 Ton = HR32011 & LM29749/10. (TB500)



<b>Stub Axles</b>				
Supplied with stub, washer, nut & split pin.				
Part No	Size mm	Round/Square	Length	Bearing
AL03216	39	Round	10"	LM
AL03219	39	Round	12"	LM
AL03198	40	Square	10"	LM
AL03561	40	Square	12"	LM
AL03214	45	Round	12"	SL
AL03215	45	Square	12"	SL
AL00136	50	Square	15"	SL Parallel
AL00137	50	Square	15"	2T Dexter



## BEARINGS - SEALS - GREASE.

TRAILER AND BODY EQUIPMENT / TRAILER PARTS AND SPARES - OTHER / BEARINGS - SEALS - GREASE.



Aline Trading stock the following range of bearings and seals to suit popular on-road trailer axles.  
Our preferred bearing brand is NSK.

<b>WHEEL BEARINGS</b>		
Part No	Description	Bearing Numbers
AL03298	LM	LM67048/10 - LM11949/10
AL03299	SLIMLINE	L68 149/10 - LM12749/10
AL03268	COMPOSITE	LM67048/10 - LM12749/10
AL03271	PARALLEL	L68 149/10 - L68 149/10
AL00828	DEXTER 2T	25580/20 - 15123/15245
AL03405	A511 2T (OLD)	25520/80 - 670 10/48

<b>WHEEL HUB SEALS.</b>		
Part No	Description	Size
AL03300	LM	36x59x9.5mm
AL03212	LM MARINE	36x59x9.5mm
AL03301	Slimline	43.5x59.07x9mm
AL03213	Slimline Marine	43.5x59.07x9mm
AL03269	Dexter 2T	3.375"x1.937"x.5"
AL03406	A511 2T	85x50x10mm



Grease	
Part No	Description
AL00015	High temp wheel bearing grease. 500g



## VEHICLE IDENTIFICATION PLATES

TRAILER AND BODY EQUIPMENT / TRAILER PARTS AND SPARES - OTHER / VEHICLE IDENTIFICATION PLATES



VEHICLE I.D PLATES		
P/No	AL03084	Size
AL03084	Small ( Standard)	170mm x 40mm
AL03185	Large	250mm x 50mm

Before registering a trailer, the manufacturer must affix a vehicle plate to the trailer. The vehicle plate provides clear information to the registering authority, owner and general public that the trailer is ready for road use. The trailer plate also provides useful information about the specifications of the trailer. The vehicle plate must be affixed to the trailer in a position where it may be readily examined. The vehicle plate must be permanently affixed by pop rivets, hammer drive rivets or screws. Fixing plates with adhesives is not acceptable.

Requirements may vary slightly between the states. Please check with your local authority.

### Vehicle Plates

**MANUFACTURER** â€” Enter your name. The name of your business or â€œHome Madeâ€”

**VIN** â€” This is the Vehicle Identification Number that is issued by the registering authority. This VIN may also have to be welded or stamped to a substantial part of the trailer chassis. Ref your local authority.

**DATE OF MANUFACTURE** â€” Completion date of trailer build.

**TARE (kg)** â€” Total mass of trailer without any load, including â€œball or drawbar weightâ€”.

**ATM** â€” Aggregate Trailer Mass (kg). Total mass of trailer including maximum load.

**MODEL No** â€” Model of trailer.

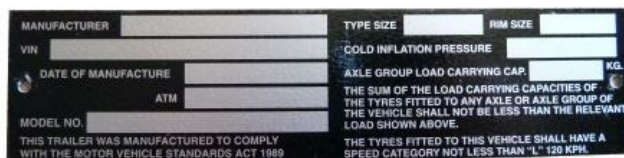
**TYRE SIZE** â€” The tyre size as noted on the side walls of the trailer tyres. Ensure that the combined tyre load rating is above the ATM of the trailer.

**RIM SIZE** â€” As noted on the rim. Usually stamped on the inside of the rim.

**COLD INFLATION PRESSURE (kpa)** â€” This information is shown on the side wall of the tyre. If in doubt contact the tyre supplier.

**AXLE GROUP LOAD CAPACITY (kg)** - The capacity of the trailer suspension.





## HYDRAULIC BRAKE PARTS

TRAILER AND BODY EQUIPMENT / TRAILER PARTS AND SPARES - OTHER / HYDRAULIC BRAKE PARTS



A selection of brake line components are available including those listed below.

3/16" Bundy tube brake lines can be made in house to suit your requirements.

Note: Our complete hydraulic braked axle assemblies are supplied ready assembled with Bundy tubes from the brakes, T piece and rubber dropper hose.

Decription	Part No
3/16" Bundy tube x 3500mm with 1x long nut & 1 x short nut. (Master cylinder to axle)	AL03079
3/16" Bundy tube x450 mm with 2 x short nuts. (axle)	AL00900
3/16" Bundy tube x 1m with 2 x short nuts. (axle)	AL00901
3/16" Bundy tube x 1.5m with 2 x short nuts. (axle)	AL00902
3/16" Bundy tube. 26m roll.	AL00654
3/16" Bundy tube per meter.	AL03420
Tube nut short. Suits T pce	AL03419
Tube nut long. Suits master cylinder.	AL03418
Brass Tee Piece.	AL03408
Straight joiner	AL03421
Weld on brake hose plate	AL03080
Brake hose retainer clip	AL03081
Rubber brake hose.	AL03329



## 50mm TRAILER COUPLING PARTS

TRAILER AND BODY EQUIPMENT / TRAILER PARTS AND SPARES - OTHER / 50mm TRAILER COUPLING PARTS



Aline Trading P/L keep a range of parts and accessories to match our range of 50mm trailer couplings.

Part No	Description
AL00659	Override body. CTA-060841
AL03278	Master cylinder support bracket with brake lever.
AL02581	Override reverse stopper plate.
AL03052	3/4" master cylinder.
AL03254	3/4" master cylinder cap.
AL03510	7/8" master cylinder.
AL02774	7/8" master cylinder cap.
AL00660	Safety catch assembly. (Spring,clip & pin)
AL00646	Rattle adjuster bolt and nut. HG
AL03256	Mechanical coupling adaptor plate.
AL00013	Coupling bolt hydraulic rear. 4.5" x .5"
AL00133	Coupling bolt hydraulic front & mechanical. 4.0" x .5"
AL00014	Coupling bolt. 2H,3H + Electric. 1.5" x .5"
AL03395	Mechanical brake lever. Marine. 75mm
AL03396	Mechanical brake lever. Marine. 100mm

AL00659 Override Body.



- AL03278 - Bracket only. No Master Cylinder.
- AL03052 - 3/4" Master cylinder only.
- AL03510 - 7/8" Master cylinder only.
- AL03254 - Cap only for 3/4" Master cylinder.



AL02581 - Override reverse stopper plate.



AL00660 - Safety catch assembly. ( Spring, Clip & Pin)



AL00646 - Rattle adjuster bolt & nut.



AL03256 - Mechanical coupling adaptor plate.



AL03395 - Mechanical brake lever. Marine 75mm.



## BRAKE CABLE KIT & PARTS

TRAILER AND BODY EQUIPMENT / TRAILER PARTS AND SPARES - OTHER / BRAKE CABLE KIT & PARTS



Aline Trading stock a trailer brake cable kit suitable for mechanical override brake systems or a parking brake on electric brakes. The kit includes: 12m of 4mm galvanised wire rope, 1 x cable adjuster, 2 x cable clamps. Spare adjusters and clamps are also available.

**BRAKE CABLE KIT & PARTS**

P/No	DESCRIPTION
AL03017	Complete kit.
AL00645	Adjuster turnbuckle only.
AL00652	Wire rope clamp. Stainless. 4mm

**P-CLAMPS**

TRAILER AND BODY EQUIPMENT / TRAILER PARTS AND SPARES - OTHER / P-CLAMPS



Aline Trading stock two popular sizes of P-Clamps to suit trailer applications.

5mm = Brake line™s and 2 core wire.

8mm = 5-7 core trailer wire.

Available in boxes of 10 pcs these sturdy clamps are made from zinc plated carbon steel & lined with EPDM rubber.

**P-CLAMPS**

P/No	SIZE
AL00854	5mm
AL00855	8mm

**SWING ARM BUSH ASSEMBLY**

TRAILER AND BODY EQUIPMENT / SWING ARM BUSH ASSEMBLY



This swing arm bush assembly is designed for use as a pivot hinge for rear bars on 4WD™s and many other applications. It is based on a 40mm SQ stub with standard LM (Holden) bearings seal and dust cap. The bush is weldable and measures 70mm diameter x 97mm long.

Part No AL02599



## BALL JOINTS

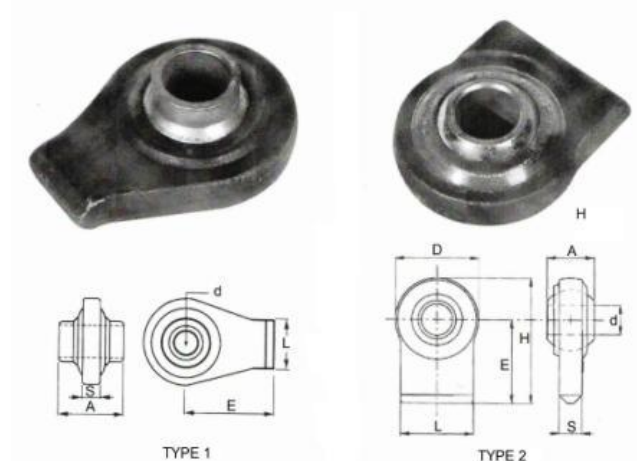
BALL JOINTS



Aline Trading P/L present a range of quality Italian made weld on ball joints. Suitable for use as linkage assemblies, tow eyes and pivot joints on a wide range of agricultural and industrial machinery.

Available in 3 styles and a range of sizes to suit your needs.

Please contact us today with your requirements.



Part No	Diameter (mm)	L	D	E	A	S	Type
AL01656	16.0	33	48	59	20	13	1
AL00813	19.5	30	59	50	44	14	1
AL01657	19.3	50	65	45	35	15	2
AL01658	22.2	60	68	50	35	18	2
AL00814	25.9	30	68	64	51	16	1
AL01659	25.4	70	76	50	35	18	2
AL01661	28.4	70	80	70	45	22	2
AL01662	32.2	70	95	65	45	22	2
AL01663	35.3	70	95	65	45	22	2
AL01664	38.4	80	108	65	45	24	2
AL01654	50.3	-	100	-	75	34	Round
AL00967	51.3	-	100	-	75	34	Round

Style from left to right. Type 2, Round, Type1



## TOP LINKS

TOP LINKS



Aline Trading Pty Ltd present two versions of very heavy duty ratchet adjustable top links suitable for conventional top link applications or as an adjuster arm on many other custom made agricultural and industrial machines.

Featuring:

- 12 mm thick clevis yokes.
- Metric M34 x 6 screw thread.
- Heavy duty outer tube and handle assembly.

### Top Link Standard - AL01972

TOP LINKS / Top Link Standard - AL01972

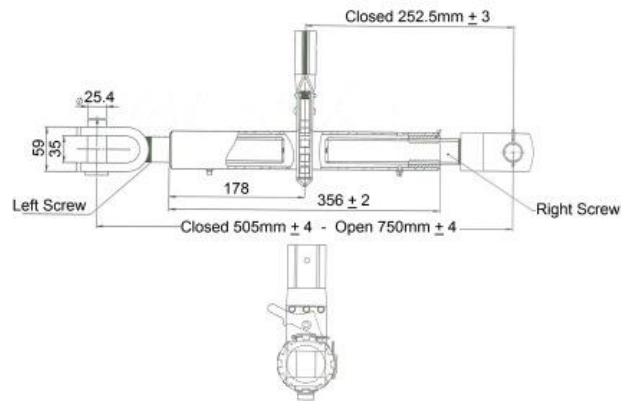


The AL01972 Standard length heavy duty ratchet adjustable top link suitable for conventional top link applications or as an adjuster arm on many other custom made agricultural and industrial machines.

Features:

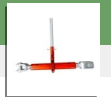
- 12 mm thick clevis yokes.
- Metric M34 x 6 screw thread.
- Heavy duty outer tube and handle assembly.
- Greasable.

Part No	AL01972
Unit Weight	7 kg
Closed Length	505mm + - 4mm
Open Length	750mm + - 4mm
Clevis Pin Diameter	25.4mm ( 1" )



## Top Link Long - AL01974

TOP LINKS / Top Link Long - AL01974

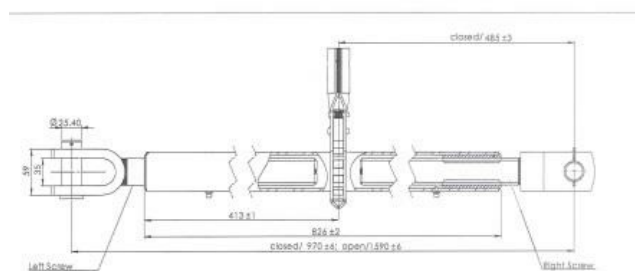


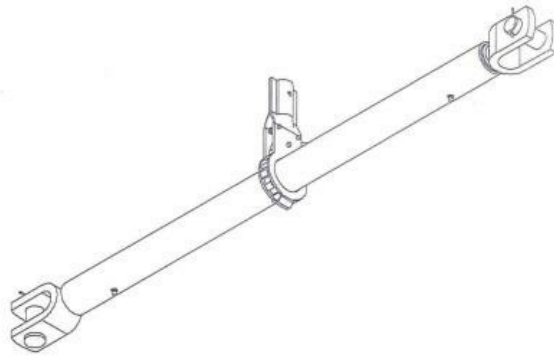
The AL01974 is a long version of our popular standard length heavy duty ratchet adjustable top link. It is suitable as an adjustable link on custom made agricultural and industrial machines.

Features:

- 12 mm thick clevis yokes.
- Metric M34 x 6 screw thread.
- Heavy duty outer tube and handle assembly.
- Greasable.

<b>Part No</b>	AL01974
<b>Unit Weight</b>	13.5 kg
<b>Closed Length</b>	970mm + - 6 mm
<b>Open Length</b>	750mm + - 6mm
<b>Clevis Pin Diameter</b>	25.4mm ( 1" )





## GAS STRUT RECHARGE AND SALES

GAS STRUT RECHARGE AND SALES



Aline Trading P/L offer their valued customers a gas strut re-charge and sales service.

Backed by one of Australia's biggest strut suppliers, Aline Trading has available a large range of gas struts & accessories.

Aline Trading, sell predominately into the agricultural, industrial & automotive industries. We offer a friendly professional service and can provide assistance in application design and solutions.

Quality is paramount at Aline Trading. Our struts are manufactured under ISO/TS 16949 that has been developed by the industry, the International Automotive Task Force (IATF), to encourage improvement in both the supply chain and the certification process. In fact, for the majority of leading vehicle manufacturers, certification to this specification is a mandatory requirement for doing business.

Our services include

New Gas Struts. Re-charging your existing gas struts. (subject to physical design & condition) Ability to set the Gas pressure to suit your requirements. Stainless Steel Gas Struts are available. Wide range of brackets & ends for mounting Gas Struts. We can advise the correct Gas strut for your application.

### Frequently Asked Questions.

#### How does a Gas Strut work?

Gas Struts are a self-contained pneumatic device capable of producing very large forces (0 to 2000 Newtons) from a compacted piece. A typical Gas Strut consists of a shaft connected to a piston, which moves within the cylinder. This contains nitrogen at high pressure with a hole in the piston allowing gas pressure to pass through and act equally on both sides of the piston. The shaft passes through a seal at one end of the cylinder and it is the pressure acting on the shaft cross section which provides the spring its force.

#### Should a Gas Strut be mounted Shaft up or Shaft down?

Shaft down is the preferred Position for mounting a Gas Strut. An optimum design would permit the support to be oriented shaft down through its entire actuation. There are several reasons for this. In order to achieve the damping or cushion at the end of the Gas Strut's stroke, the piston assembly inside of the Gas Strut must travel through oil at the end of the stroke. With the shaft down orientation ensures that the oil is in the proper location for damping to occur. Shaft down orientation also ensures that the shaft and sealing components are lubricated with every stroke of the Gas Strut. This reduces seal wear and helps to prevent corrosion.

#### How does temperature affect the life and performance of a Gas Strut?

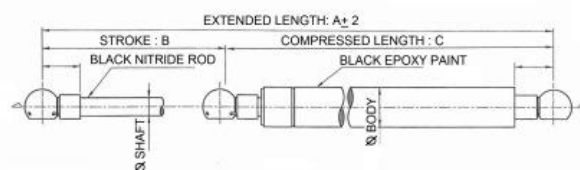
Temperature affects Gas Strut's in two ways, output force could change and increased susceptibility to gas loss. As the temperature of the Gas Strut changes, the internal pressure changes according to the relationship. Therefore, as the temperature increases, so does the internal pressure. As the internal pressure increases, so does the output force. Very high or very low temperatures can adversely affect the Gas Strut's ability to retain its gas charge. At very high temperatures, the permeability of the seals increases and the gas molecules may diffuse through the seal more quickly. Our Gas Struts can support and perform reliably at temperatures ranging from 4.5°C to 150°C.

#### What is the expected life of a Gas Strut?

When calculating approximate life of a Gas Strut, one must first determine how much force the support can lose before the application becomes unacceptable. The time it takes to lose this amount of force is considered to be the life of the Gas Strut. All Gas Strut's lose output force over time. The rate at which force loss occurs varies greatly by application. Many factors affect the rate of force loss, such as: size of the support, orientation, amount of cycles, ambient temperature, vibration, and the geometry of the application. Considering all of the variables, it is very difficult to estimate life accurately without actual testing in the application. Our Struts have surpassed 40,000 strokes in a certified test lab environment.

#### What type of warranty does Aline Trading offer on our struts.?

Aline Trading P/L offers a 2-year warranty on all of our Gas Struts. Aline Trading P/L warrants our gas struts to be free of defects in relation to parts and or workmanship for a period of 2 years from the date invoice. (Estimated duty cycle = 20,000 cycles.)







## PROCUREMENT AND CUSTOM DESIGNS



PROCUREMENT AND CUSTOM DESIGNS

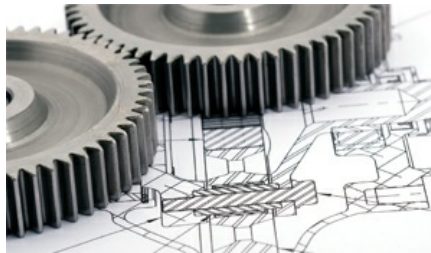
Procurement - **Procurement** is the acquisition of appropriate goods and/or services at the best possible total cost of ownership to meet the needs of the purchaser...

Aline Trading P/L offer our services to procure the products you require to meet your needs and to make your business successful.

The products shown on this site are our standard items. Some may be familiar to you as the product formerly offered by Andiline while others are newer additions.

Our extensive network of suppliers, allow us to bring these products to you. These same suppliers also give us access to a much wider range of products including items outside the core focus of our business.

If , as a manufacturer you require a product that you are having difficulty sourcing or would like to obtain at a more favourable price please contact us today to discuss your needs.



## WEB SITE DISCLOSURE - WARRANTY



WEB SITE DISCLOSURE - WARRANTY

The information contained in this website is for general information purposes only. The information is provided by Aline Trading Pty Ltd, and whilst we endeavour to keep the information up-to-date and correct, we make no representations or warranties of any kind, express or implied, about the completeness, accuracy, reliability, suitability or availability with respect to the website or the information, products, services, or related graphics contained on the website for any purpose. Any reliance you place on such information is therefore strictly at your own risk.

In no event will we be liable for any loss or damage including without limitation, indirect or consequential loss or damage, or any loss or damage whatsoever arising from loss of data or profits arising out of, or in connection with, the use of this website.

Through this website you may be able to link to other websites which are not under the control of Aline Trading Pty Ltd. We have no control over the nature, content and availability of those sites. The inclusion of any links does not necessarily imply a recommendation or endorse the views expressed within them.

Every effort is made to keep the website up and running smoothly. However, Aline Trading Pty Ltd takes no responsibility for, and will not be liable for, the website being temporarily unavailable due to technical issues beyond our control.

### WARRANTY

WEB SITE DISCLOSURE - WARRANTY / WARRANTY



#### ALINE TRADING PTY LTD

ABN 74 137 252 594

#### GENERAL WARRANTY POLICY

ALINE TRADING PTY LTD Warrants to the customer that it shall free of charge either repair or replace or at its option refund the purchase price

of defective goods where the defect appears under proper use within 12 months (the "Warranty Period") from the date of invoice. PROVIDED THAT:

- a) The customer provides Aline Trading with satisfactory proof of purchase.
- b) Notice of the defect is given to Aline Trading immediately once the customer becomes aware of it.
- c) If so requested, the goods are returned to Aline Trading at purchaser's expense for assessment.

(Accepting goods for return does not automatically constitute acceptance of a claim).

This warranty applies only to defects found to Aline Trading's satisfaction to be solely attributable to faulty design, workmanship or materials and excludes damage caused by all or any of the following:

- a) Improper installation.
- b) Inadequate maintenance.
- c) Misuse.
- d) Neglect.
- e) Shipping (or other forms of transport).
- f) Accident.
- g) Normal wear & tear.
- h) Use other than ordinary commercial or industrial applications.
- i) Unauthorized alteration, processing or adaptation by the customer or a third party.

3. Aline Trading's liability under the foregoing shall be to the exclusion of any other liability to the customer whether contractual, tortious or otherwise and Aline Trading will not be liable to the purchaser for any increased costs or expenses or for any loss of profit, business, contracts, revenues or anticipated savings or for any indirect or consequential damage of any nature whatsoever.

4. Aline Trading is not responsible for freight charges or losses in transit.